

SEA-DOO®

JET BOATS

Operator's 1998 GUIDE



Sportster
1800
Challenger
1800

219 000 086

SAFETY WARNING

Disregarding any of the safety precautions and instructions contained in this *Operator's Guide* and on *Product Warnings* could cause injury, including the possibility of death.

This *Operator's Guide*, the *Safety Handbook* and the *videocassette* should remain with the jet boat at the time of resale.

AFTER-SALES SERVICE
BOMBARDIER INC.
VALCOURT (QUÉBEC)
CANADA J0E 2L0



**The following trademarks are property of
Bombardier Inc.:**

SEA-DOO®
Sea-Doo Lube®
Sea-Doo Jet Pump Synthetic Oil
Sea-Doo Synthetic Grease

Gelcote® is a trademark of Gelcote International
Knight's Spray-Nine* is a trademark of Korkay
System Ltd

Doin'it on your new Sea-Doo jet boat

Congratulations, you are now the proud owner of a jet boat. Whether you are an experienced boater or are new to the sport of boating, we ask you to take the time to view the *Safety Videocassette* provided with your jet boat, to read this *Operator Guide* and *Safety Handbook* and familiarize yourself with their contents. The guide contains pertinent information which, if followed, will provide you with the necessary knowledge to help you fully enjoy the pleasures of this boat.

We strongly recommend that any boat operator complete a safety boating course. Check with your local Coast Guard or Power and Sail Squadron in your area for course availability. More serious boaters may want to obtain "Chapman Piloting" by Elbert S. Maloney, available at most book stores.

When introducing your family or friends to the sport, be sure they fully understand the controls and operation of the jet boat and the importance of courteous, responsible riding.

Each jet boat operator has a responsibility to ensure the safety of its passengers and other water users. Please follow all safety instruction and drive with care.

We encourage you to have an Annual Safety Inspection of your jet boat. Please contact your dealer for further details.

Finally, we invite you to visit your dealer for regular safety maintenance as well as any boating accessories you may require.

Have fun and.....Bon Voyage.

Please keep this *Guide* and *Safety Handbook* on board. These manuals should remain with the jet boat at time of resale.

TABLE OF CONTENTS

FOREWORD	5
◆ SAFETY WARNING	7
BOMBARDIER LIMITED WARRANTY: 1998 SEA-DOO® JET BOAT	10
BOMBARDIER INTERNATIONAL LIMITED WARRANTY: 1998 SEA-DOO® JET BOAT	12
LIST OF DISTRIBUTORS	14
REGISTRATION NUMBER LOCATION	15
LOCATION OF THE IMPORTANT LABELS	16
IDENTIFICATION NUMBERS	18
Hull	18
Engines.....	19
CONTROLS AND COMPONENTS LOCATION	20
1) Safety Lanyard Post.....	26
2) Steering Wheel	27
3) Throttle Levers	27
4) Shift Lever.....	28
5) Start/Stop Buttons	29
6) Choke Levers	30
7) Navigation Light Switch	30
8) Bilge Pump Switch.....	31
9) Bilge Air Blower Switch	31
10) Horn Switch	31
11) Deck Light Switch.....	32
12) Low-Fuel Warning System Switch.....	32
13) Fuel Gauge/Low Injection Oil Level Pilot Lamp	32
14) Tachometers	33
15) Speedometer	33
16) Wind Deflector (if so equipped)	34
17) Bilge Drain Plug.....	34
18) Grab Handles	34
19) Rear Grab Handle	35
20) Swim Platform	35
21) Seats	35
22) Sun Seat.....	36
23) Sun Deck (if so equipped)	37
24) Cup Holders	38
25) Right Front Storage Compartment.....	38
26) Deck Storage Compartment	40
27) Rear Storage Compartment	41
28) Glove Box (if so equipped)	43

29) Left Front Storage Compartment (if so equipped)	43
30) Jet Pump Water Intakes	44
31) Tow Hook.....	44
32) Radio	44
33) 12-Volts Accessory Jack	45
34) Bow Light.....	45
35) Removable Stern Light	45
36) Mooring Cleats.....	47
37) Deck.....	47
38) Fuel Tank Cap	47
39) Deck Drain Hole	47
40) Oil Injection Tank Cap	47
41) Flushing Connectors	47
42) Ventilation Ducts.....	48
43) Bow/Stern Eyelets	48
44) Jet Pump Nozzles	48
45) Reverse Gates	48
46) Retractable Ladder.....	48
47) Scupper Valve	49
48) Weedless System Lever.....	49
49) Fuel Tank Vent	52
50) Bimini Top (if so equipped)	52
51) Ski Post.....	55
Fuses.....	56

FUEL AND LUBRICATION **57**

Fueling Procedure	57
Recommended Fuel	57
Recommended Oil	57
Oil Injection System	58

BREAK-IN PERIOD **59**

Engines.....	59
10-Hour Inspection	59

PRE-OPERATION CHECKS **61**

Hull	62
Jet Pump Water Intakes.....	62
Bilge	62
Battery.....	62
Fuel/Oil Reservoirs	62
Engine Compartment	62
Fire Extinguisher.....	62
Steering System.....	62
Throttle System.....	62
Shifter System.....	62
Weedless System	63
Safety Lanyard and Engine Start/Stop Buttons	63

Storage Compartment Covers.....	63
Bimini Top (if so equipped).....	63
OPERATING INSTRUCTIONS	64
Principle of Operation.....	64
Boarding from a Dock or in Shallow Water	65
Starting the Engines	66
Obstacles.....	67
Boarding in Deep Water	67
Rough Water or Poor Visibility Operation	68
Stopping/Docking	68
Beaching.....	69
POST-OPERATION CARE	70
General Care.....	70
Additional Care for Foul Water or Salt Water	70
SPECIAL PROCEDURE.....	74
Engine Overheating.....	74
Jet Pump Water Intake and Impeller Cleaning.....	74
Capsized Boat.....	75
Submerged Boat.....	75
Towing the Boat in Water.....	75
Operating the Boat with Only One Engine	76
Low-Charge Battery Condition	76
MAINTENANCE	77
Lubrication.....	77
Periodic Inspection	79
Periodic Inspection Chart.....	80
Throttle and Choke Cables	81
Fuel and Oil Filters.....	81
Steering/Jet Pump Nozzle Adjustment.....	81
Reverse Gates	82
Fuses	82
Bilge Air Blower.....	85
Navigation Light Bulb Replacement	85
Bimini Top (if so equipped).....	86
General Inspection and Cleaning	87
TRANSPORTATION	88
Transportation.....	88
STORAGE AND PRE-SEASON PREPARATION	90
Storage	90
Pre-Season Preparation	96
TROUBLESHOOTING	98
SPECIFICATIONS.....	101
SI METRIC INFORMATION GUIDE.....	103
CHANGE OF ADDRESS.....	107

FOREWORD

This *Operator's Guide* has been prepared to acquaint the owner/operator or passenger of this jet boat with the various jet boat controls, maintenance and safe riding instructions. It is indispensable for the proper use of the product, and should be kept in a water-proof bag in the jet boat at all times.

For any questions pertaining to the warranty and its application, please consult an authorized SEA-DOO jet boat dealer.

This guide uses the following symbols to emphasize particular information.



WARNING

Identifies an instruction which, if not followed, might cause serious personal injuries including the possibility of death.



CAUTION

Denotes an instruction which, if not followed, might severely damage the jet boat and/or components.

NOTE: Indicates supplementary information needed to fully complete an instruction.

Although the mere reading of such information does not eliminate the hazard, the understanding and application of the information will promote its correct use.

The information and components/system descriptions contained in this document are correct at the time of publication. Bombardier Inc. however, maintains a policy of continuous improvement of its products without imposing upon itself any obligation to install them on products previously manufactured. Due to late changes, it may have some differences between the manufactured product and the descriptions and/or specifications in this document. Bombardier Inc. reserves the right at any time to discontinue or change specifications, designs, features, models or equipment without incurring obligation.

The illustrations in this document show the typical construction of the different assemblies and may not reproduce the full detail or exact shape of the parts. However, they represent parts that have the same or similar function.

It is understood that this guide may be translated into another language. In the event of any discrepancy, the English version shall prevail.

Specifications are given in the SI metric system with the SAE U.S. equivalent in parenthesis. Where precise accuracy is not required, some conversions are rounded off for easier use.

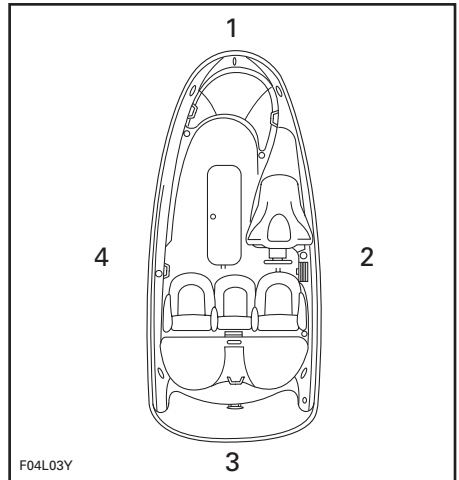
A *Shop Manual* can be obtained for complete service, maintenance and more repair information.



WARNING

The engines and the corresponding components identified in this guide should not be utilized on products other than those they were designed for. Maintenance procedures and specified tightening torques must be strictly adhered to. Never attempt repairs unless the appropriate tools are available. This jet boat is designed with parts dimensioned in both the metric and the imperial systems. When replacing fasteners, make sure to use only those recommended by Bombardier. Mismatched or incorrect fasteners could cause damage to the jet boat or possible personal injury.

In marine industry, PORT, STARBOARD, BOW and STERN are used to refer to LEFT, RIGHT, FRONT and REAR respectively. They always refer to the operator's position sitting in boat.



1. BOW (front)
2. STARBOARD (RH)
3. STERN (rear)
4. PORT (LH)

This manual applies to different models of Sea-Doo jet boat. It includes description and explanations of standard equipment. As a result you may find material in this manual that does not apply to your specific jet boat.

◆ SAFETY WARNING

To fully appreciate the pleasures, enjoyment and excitement of boating there are some basic rules that **MUST** be observed and followed by any boater. Some rules may be new to you while others may be common sense or obvious, irrespective, we ask that you please take a few minutes of your time to read these safety instructions completely before you operate your boat. **Failure to follow this safety information and safe boating rules could result in injury, including the possibility of death to you, your passenger(s), or other water users.**

Information in this guide is limited. It is strongly recommended that you obtain further boating information from the local Coast Guard or Power Squadron. We further recommend you take a safe boating course. Check local and federal boating laws applicable to the waterways where you intend to use the boat. Learn the local rules of the road.

Become completely familiar with the controls and operation of the boat before taking on a passenger(s) or embarking on a trip. If you have not had the opportunity to do so with your dealer, practice driving solo in a suitable area and feel the response of each control. Start, accelerate then stop using one then both engines. Be fully familiar with all controls before fully pushing the throttles.

The performance of this jet boat may significantly exceed that of other jet boats you may have operated. Therefore, use of this jet boat by a novice or inexperienced operator is not recommended.

Observe and follow all on-product warning labels and the content of this guide.

An operator and passenger(s) should wear suitable eye and body protection as well as deck shoes or booties.

Coast Guard approved personal flotation devices (PFD) should be worn by all aboard.

Operation of this boat by a minor or disabled person is **NOT** recommended.

Do not operate the boat after consuming alcohol or drugs.

Store or tie-down any loose articles or necessary boating equipment before operating the boat.

Always perform the pre-operation checks as specified in this guide. This includes:

- Attaching the safety lanyard to your PFD or to your wrist using an appropriate wrist-band.
- Verification of throttle levers, shifter and steering movement.
- Verification of start/stop button operation.
- Oil and fuel levels.
- Use of blower.
- Adequate water depth.
- Functional navigation lights.
- Required boating equipment. (Know how to use each).

The operator and passenger(s) must be properly seated in their designated seats before starting or moving the boat. Do not permit a passenger to use the sun seat except in calm waters and at very low speeds. Never allow anyone to sit on the sun deck or boarding platform while the boat is operational. Allow no one to jump into the boat at anytime, or move during boat operation. The risk of an accidental fall or slip is always present.

Ensure operator all-round visibility is unrestricted.

While the engines can be stopped by depressing the start/stop buttons, good habit recommends that the safety lanyard be used to stop the engines at all times.

Wave or wake jumping can be dangerous and in many regions illegal.

Most boating accidents occur as a result of the failure of the operator to keep a lookout for other water users or other potential hazards. Keep a safe distance from other boats or watercraft. Do not attempt to splash others with your wake. Do not ride the surf line.

This boat is equipped with navigation lights which should be used between sunset and sunrise. Lower speed and do not operate the boat in reduced visibility. This boat is not equipped with spot-lights.

To prevent accidental starting or unauthorized use, always detach the safety lanyard from the boat especially during maintenance, cleaning of the intake grates, or when swimmers are nearby.

Ensure that all passengers know how to reboard the boat from the water.

Always have an observer while towing a skier.

Know the waters in which the boat is to be operated. Current, tides, rapids, shallow water, hidden obstacles etc., can effect safe operation.

When boating, apply the principle of 1/3 fuel to destination, 1/3 back and 1/3 reserve fuel supply.

Maintain the boat and equipment in top condition at all times. Adhere to the prescribed maintenance schedules. Use a protective cover when not in use.

The bilge must be kept clean of oil, water or other foreign materials. Do not carry spare fuel and inflammable liquids in any of the storage or engine compartments.

Avoid adding on accessories, carrying equipment or passengers which may alter the boat's configuration or balance.

Only perform servicing procedures which are detailed in this guide. Further assistance or information can be obtained from your dealer. In many instances proper tools and training is required for certain servicing or repair procedures.

Gasoline fumes are flammable and explosive. Always adhere to the fueling and starting procedures contained in this guide and those given to you by the marina.

This boat has the capability of turning more sharply than other boats, however, unless in an emergency, do not negotiate sharp, high speed turns.

Like any other boat, this boat has no brake. Stopping distance will vary depending on initial speed, load, wind, and water conditions. Practice stopping and docking in a safe area to have an idea of how long it will take to stop the boat under varying conditions.

Prolonged exposure to the sun, wind etc., causes fatigue and may affect your reaction time.

Do not overload the boat or take on more passengers than designated for the intended type of boating. Load and altitude will also affect boat performance.

Proceed with caution and at very low speeds in shallow water. Grounding or abrupt stops may result, or debris may be picked up and be jettisoned rearward towards people or property. The impellers are turning even when the shift lever is at neutral.

As the "skipper" of a boat you are responsible for damage to other boats and property caused by the wake of your boat. Respect no wake zones.

Respect the rights of other water users and the environment. Allow no one to throw refuse overboard.

Do not operate the boat in inclement weather.

Always use both throttle levers simultaneously. If one lever is advanced more than the other, or if one engine is shut off during operation, directional control will be affected. Steering compensation may be required. Constant attention and control of the boat is required by the operator for safe operation.

Use of the bilge blower should never replace "smelling" for gasoline fumes. Blower and bilge pump must be off during boat operation.

The ski tow-universal eyelet can be used to attach a ski-rope. Do not use this ring for para-sailing or other uses which may overstress the transom.

Lifting the boat requires special equipment and experience. Do not attempt to lift the boat without such experience or equipment.

Respect the safety and comfort of your passenger(s) and persons being towed on skis.

Always carry the regulatory required safety items onboard. Check with local regulations or your dealer.

Drive prudently and have fun.

BOMBARDIER LIMITED WARRANTY: 1998 SEA-DOO® JET BOAT

1. WARRANTY COVERAGE PERIOD

BOMBARDIER INC. ("Bombardier"), as manufacturer, warrants FROM THE DATE OF DELIVERY TO THE FIRST CONSUMER that each 1998 SEA-DOO jet boat sold, as NEW and UNUSED and PREDELIVERED by an authorized North American SEA-DOO jet boat dealer, will be free from any defects in material and/or workmanship for a PERIOD of:

a) For private use:

TWELVE (12) CONSECUTIVE MONTHS, with the exception of the deck and hull fiberglass structure; and

SIXTY (60) CONSECUTIVE MONTHS for the deck and hull fiberglass structure.

b) For commercial use:

FOUR (4) CONSECUTIVE MONTHS, with the exception of the deck and hull fiberglass structure; and

TWELVE (12) CONSECUTIVE MONTHS for the deck and hull fiberglass structure.

All genuine Bombardier accessories, installed by an authorized SEA-DOO jet boat dealer at the time of delivery of the new and unused SEA-DOO jet boat, carry the same Warranty Coverage Period as for the SEA-DOO jet boat.

2. WHAT BOMBARDIER WILL DO

BOMBARDIER will repair or replace, at its option, all genuine BOMBARDIER part found defective in material and/or workmanship, under normal use, maintenance and service, with a genuine BOMBARDIER part without charge for parts and labor, at any authorized SEA-DOO jet boat dealer during the Warranty Coverage Period.

3. CONDITION TO HAVE WARRANTY WORK VALIDATED

The customer must notify an authorized SEA-DOO jet boat dealer within two (2) days of the appearance of the defect in material and/or workmanship and present to the servicing authorized SEA-DOO jet boat dealer the SEA-DOO Warranty Registration Card or a proof of purchase of the NEW and UNUSED 1998 SEA-DOO jet boat and must sign the repair/work order prior to the start of the repair in order to validate a warranty repair. All parts replaced under this limited warranty become the property of BOMBARDIER.

4. EXCLUSIONS - ARE NOT WARRANTED

- Normal wear and tear items;
- Labor, parts and lubricant costs of all maintenance services;
- Damage caused by failure to provide proper maintenance and/or storage, as described in the "1998 SEA-DOO Jet Boat Operator's Guide";
- Damage resulting from improper repairs, modifications or use of non approved parts or, repairs done by a non authorized SEA-DOO jet boat dealer;
- Damage resulting from abuse, misuse, neglect, racing;
- Damage resulting from accident, fire, theft, vandalism or any act of God;
- Incidental or consequential damages, or damages of any kind such as but not limited to towing charges, telephone calls or taxi;
- Water damages caused by water ingestion;

- Damage related to gel coat finish including but not limited to cosmetic gel coat finish, blisters or fiberglass delamination caused by blisters, crazing, spider or hairline cracks; and
- Damages resulting from improper service or maintenance.

5. LIMITATIONS OF LIABILITY

This warranty gives you specific rights, and you may also have other legal rights which may vary from state to state, or province to province. **WHERE APPLICABLE, THIS WARRANTY IS EXPRESSLY GIVEN AND ACCEPTED IN LIEU OF ANY AND ALL OTHER WARRANTIES, EXPRESSED OR IMPLIED, INCLUDING WITHOUT LIMITATION ANY WARRANTY OF MERCHANTABILITY OR FITNESS FOR ANY PARTICULAR PURPOSE.**

Neither the distributor, any authorized SEA-DOO jet boat dealer nor any other person has been authorized to make any affirmation, representation or warranty other than those contained in this warranty, and if made, such affirmation, representation or warranty shall not be enforceable against BOMBARDIER or any other person.

In no event shall BOMBARDIER be liable for special, consequential or incidental damages, including but not limited to loss of use and transportation costs. Some states or provinces do not allow the exclusion or limitation of incidental or consequential damages, or limitations on how long an implied warranty lasts, so the above limitation or exclusion may not apply.

BOMBARDIER reserves the right to modify this warranty at any time, being understood that such modification will not alter the warranty conditions applicable to the SEA-DOO jet boat sold while this warranty is in effect.

6. CONSUMER ASSISTANCE

- In the event of a controversy or a dispute arising in connection with this BOMBARDIER LIMITED WARRANTY, BOMBARDIER suggests that you try to resolve the issue at the dealership level. We recommend discussing the issue with the authorized dealer's service manager or owner.
- If further assistance is required, the DISTRIBUTOR's Service Department should be contacted in order to resolve the matter.
- If the issue has still not been resolved, please submit in writing your complaint to:

In Canada:

BOMBARDIER INC.
SEA-DOO/SKI-DOO DIVISION
CUSTOMER ASSISTANCE CENTER
VALCOURT QC J0E 2L0
Tel: (514) 532-5000

In USA:

BOMBARDIER MOTOR
CORPORATION OF AMERICA
SEA-DOO/SKI-DOO DIVISION
CUSTOMER ASSISTANCE CENTER
P.O. BOX 8035
7575 BOMBARDIER COURT
WAUSAU WI 54402 8035
Tel: (715) 848-4957

BOMBARDIER INC.
SEA-DOO/SKI-DOO DIVISION
MARCH 1997

® Registered trademark of Bombardier Inc. and/or affiliates at the *U.S. Patent and Trademark Office* and in other countries. All rights reserved.

BOMBARDIER INTERNATIONAL LIMITED WARRANTY: 1998 SEA-DOO® JET BOAT

1. WARRANTY COVERAGE PERIOD

BOMBARDIER INC. ("Bombardier"), as manufacturer, warrants FROM THE DATE OF DELIVERY TO THE FIRST CONSUMER that each 1998 SEA-DOO jet boat sold anywhere in the world except the United States and Canada, as NEW and UNUSED and PREDELIVERED by an authorized SEA-DOO jet boat dealer, duly appointed by an authorized SEA-DOO International Distributor, will be free from any defects in material and/or workmanship for a PERIOD of:

a) For private use:

TWELVE (12) CONSECUTIVE MONTHS, with the exception of the deck and hull fiberglass structure; and

SIXTY (60) CONSECUTIVE MONTHS for the deck and hull fiberglass structure.

b) For commercial use:

FOUR (4) CONSECUTIVE MONTHS, with the exception of the deck and hull fiberglass structure; and

TWELVE (12) CONSECUTIVE MONTHS for the deck and hull fiberglass structure.

All genuine Bombardier accessories, installed by an authorized SEA-DOO jet boat dealer at the time of delivery of the new and unused SEA-DOO jet boat, carry the same Warranty Coverage Period as for the SEA-DOO jet boat.

2. WHAT BOMBARDIER WILL DO

BOMBARDIER through the local SEA-DOO International Distributor will, during the Warranty Coverage Period, repair or replace, at its option, all genuine BOMBARDIER part found defective in material and/or workmanship, under normal use, maintenance and service, with a genuine BOMBARDIER part without charge for parts and labor, at any local authorized SEA-DOO jet boat dealer.

3. CONDITION TO HAVE WARRANTY WORK VALIDATED

The customer must notify a local authorized SEA-DOO jet boat dealer within two (2) days of the appearance of the defect in material and/or workmanship and present to the servicing authorized SEA-DOO jet boat dealer the SEA-DOO Warranty Registration Card or a proof of purchase of the NEW and UNUSED 1998 SEA-DOO jet boat and must sign the repair/work order prior to the start of the repair in order to validate a warranty repair. All parts replaced under this limited warranty become the property of the international distributor of the specific territory and/or BOMBARDIER.

4. EXCLUSIONS ARE NOT WARRANTED

- Normal wear and tear items;
- Labor, parts and lubricant costs of all maintenance services;
- Damage caused by failure to provide proper maintenance and/or storage, as described in the "1998 SEA-DOO Jet Boat Operator's Guide";
- Damage resulting from improper repairs, modifications or use of non approved parts or, repairs done by a non authorized SEA-DOO jet boat dealer;
- Damage resulting from abuse, misuse, neglect, racing;
- Damage resulting from accident, fire, theft, vandalism or any act of God;
- Incidental or consequential damages, or damages of any kind such as but not limited to towing charges, telephone calls or taxi;

- Water damages caused by water ingestion;
- Damage related to gel coat finish including but not limited to cosmetic gel coat finish, blisters or fiberglass delamination caused by blisters, crazing, spyder or hairline cracks; and
- Damages resulting from improper service or maintenance.

5. LIMITATIONS OF LIABILITY

This warranty gives you specific rights, and you may also have other legal rights resulting from the application of mandatory national laws which may vary from country to country. **WHERE APPLICABLE, THIS WARRANTY IS EXPRESSLY GIVEN AND ACCEPTED IN LIEU OF ANY AND ALL OTHER WARRANTIES, EXPRESSED OR IMPLIED, INCLUDING WITHOUT LIMITATION ANY WARRANTY OF MERCHANTABILITY OR FITNESS FOR ANY PARTICULAR PURPOSE.**

In no event shall BOMBARDIER be liable for special, consequential or incidental damages, including but not limited to loss of use and transportation costs. Some countries do not allow the exclusion or limitation of incidental or consequential damages, or limitations on how long an implied warranty lasts, so the above limitation or exclusion may not apply.

Neither the SEA-DOO International Distributor, the authorized SEA-DOO jet boat dealer nor any other person has been authorized to make any affirmation, representation or warranty other than those contained in this warranty, and if made, such affirmation, representation or warranty shall not be enforceable against BOMBARDIER or any other person.

Every SEA-DOO jet boat is sold with the English version of this warranty. A specific SEA-DOO International Distributor may elect to translate this warranty into local language, it is then understood and agreed that in the event of any discrepancies or inconsistencies between the two versions, the English version shall prevail.

It is the customer's responsibility to ensure that the SEA-DOO jet boat complies with all boating regulations and standards of any country, other than the original country of sale, where the SEA-DOO jet boat is intended to be used.

BOMBARDIER reserves the right to modify this warranty at any time, being understood that such modification will not alter the warranty conditions applicable to the SEA-DOO jet boat sold while this warranty is in effect.

6. CONSUMER ASSISTANCE

- In the event of a controversy or a dispute arising in connection with this BOMBARDIER INTERNATIONAL LIMITED WARRANTY, BOMBARDIER suggests that you try to resolve the issue at the dealership level. We recommend discussing the issue with the authorized dealer's service manager or owner.
- If further assistance is required, the authorized local SEA-DOO INTERNATIONAL DISTRIBUTOR's Service Department should be contacted in order to resolve the matter.
- If the issue has still not been resolved, please submit in writing your complaint to:

BOMBARDIER INC.
SEA-DOO/SKI-DOO DIVISION
INTERNATIONAL SERVICE DEPARTMENT
VALCOURT QUEBEC JOE 2L0
CANADA

BOMBARDIER INC.
SEA-DOO/SKI-DOO DIVISION
MARCH 1997

® Registered trademark of Bombardier Inc. and/or affiliates at the *U.S. Patent and Trademark Office* and in other countries. All rights reserved.

LIST OF DISTRIBUTORS

CANADA and Continental U.S.A.

U.S.A.: (Continental U.S.A. Except Puerto Rico)	BOMBARDIER MOTOR CORPORATION OF AMERICA 7575 BOMBARDIER COURT P.O. BOX 8035 WAUSAU, WI 54402-8035 Phone: (715) 842-8886
CANADA Alberta British Columbia Manitoba North West Territories Ontario Quebec Saskatchewan Yukon New-Brunswick Nova Scotia Prince Edward Island	BOMBARDIER INC. SEA-DOO SERVICE DEPARTMENT VALCOURT, QUEBEC J0E 2L0 Phone: (514) 532-2211
Newfoundland	CHARLES R. BELL P.O. BOX 1050 RIVERSIDE DRIVE CORNER BROOKE, NFLD A2H 6J3 Phone: (709) 634-3533 FAX: (709) 634-2444

If your SEA-DOO jet boat requires warranty service, you must take it to any authorized SEA-DOO jet boat dealer. Be sure to bring your warranty registration card or other valid proof of the original date of purchase. If a question or problem arises regarding warranty, first contact the service manager or owner of the SEA-DOO jet boat dealership.

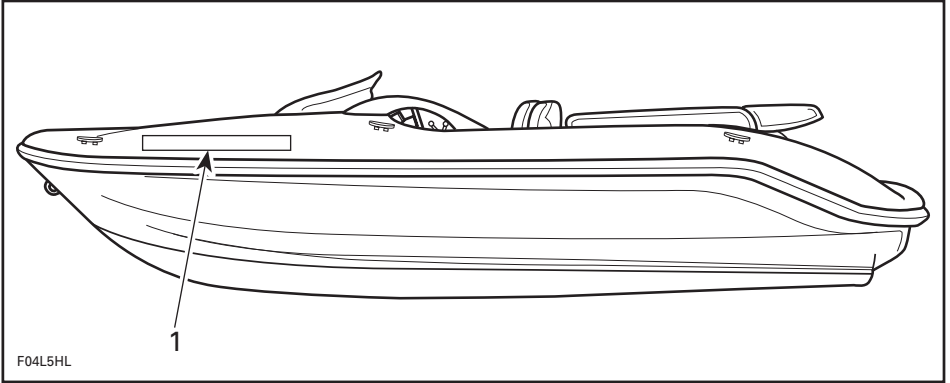
To find the nearest authorized Sea-Doo jet boat dealer, dial: 1-800-882-2900.

NOTE: If outside Canada and U.S.A., consult the local distributor.

REGISTRATION NUMBER LOCATION

All boats are required by federal law to be registered and legally numbered.

Due to space availability for proper display of registration number, refer to the following illustration for location. The registration number must appear on each side of the jet boat.

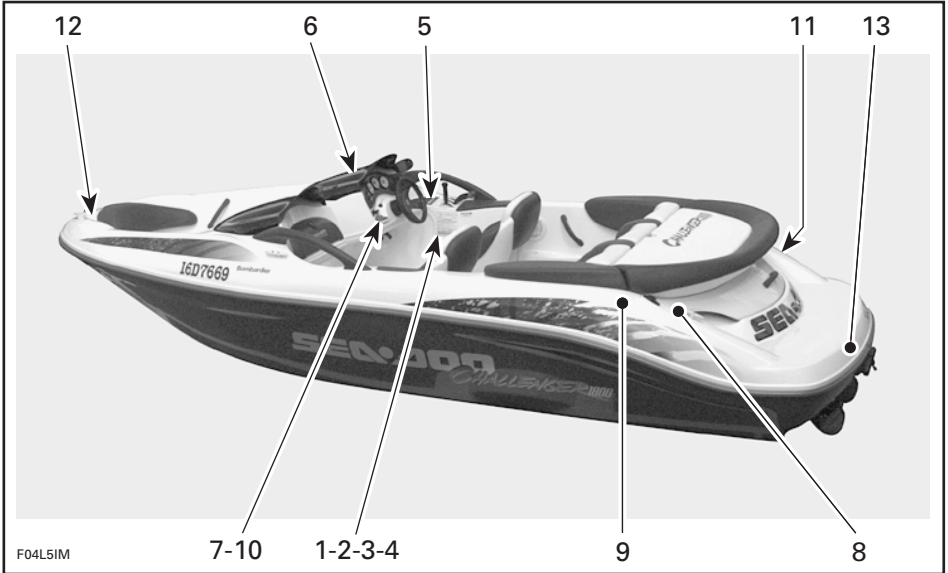


TYPICAL — CHALLENGER 1800 SHOWN

1. Registration number location

LOCATION OF THE IMPORTANT LABELS

Please read the following labels carefully before operating this boat.



TYPICAL — CHALLENGER 1800 SHOWN

1

port
bow
starboard

Crossing: GIVE RIGHT OF WAY to boats ahead and to your right (own 'Yield Zone'). Never cross the bow of a boat.

Meeting head on: KEEP RIGHT.

Passing: Give right of way to other boat and KEEP CLEAR.

F04L8FY

2

WARNING

Read and follow warning labels and operator/safety handbook before operation. Severe injury or death can result from ignoring warnings or through improper use of this jet boat. The performance of this jet boat may significantly exceed that of other jet boats you may have operated. Therefore, use of this jet boat by novice or inexperienced operators is not recommended.

- Check throttle/shifter controls and steering position before starting engines.
- Directional control is lost when throttle or engines are off.
- Do not splash others or jump waves or wakes with this jet boat.
- Operator and passengers should always wear approved life vests and recommended clothing.
- Do not operate if passengers are not properly seated and using handgrips, or if visibility is obstructed. Do not allow passenger(s) to lean back(s) above life speed or rough/choppy water.
- Properly attach safety lanyard to your life vest.
- Keep a safe distance from all other water users. Be aware of all boating regulations.

F04L8GY

3

MADE IN U.S.A. BOMBARDIER CORPORATION OF AMERICA XXXX

U.S. COAST GUARD

MAXIMUM CAPACITIES

4 PERSONS OR 660 LBS.

660 LBS. PERSONS, GEAR

THIS BOAT COMPLIES WITH U.S. AND CANADIAN COAST GUARD SAFETY STANDARDS IN EFFECT ON THE DATE OF CERTIFICATION

CE BOAT DESIGN CATEGORY: **C**

F04L8HY

TYPICAL — REFER TO ACTUAL LABEL ON BOAT

4

MAXIMUM ENGINE POWER CAPACITY RATING OF THE CRAFT:

62 KW

F04L8IY

TYPICAL — REFER TO ACTUAL LABEL ON BOAT

5

◆ WARNING

- Use electronic tether key only.
- Shifter must be in neutral to start engine.
- To operate shifter, throttle lever must be at idle position.

F04L8LY


6

◆ WARNING

In case of fire do not open engine box (compartment). Shut down engines and blower. Continuously discharge ENTIRE contents of halon or CO₂ portable fire extinguisher through the port (or other provision) immediately.

F04L8KY

7

↓ WEEDLESS LEVER UNDERNEATH CONSOLE. 

◆ WARNING: ACTIVATE WEEDLESS SYSTEM ONLY WHEN ENGINES ARE STOPPED AND BOAT IS STILL.

F04L8JY

TYPICAL — REFER TO ACTUAL LABEL ON BOAT

8

◆ WARNING

Do not boost battery. Servicing of electrical components should be done by dealer only.

F04L8MY

9

▼ CAUTION

OIL ONLY

Oil fill capacity 2 US gallons
Use Bombardier Rotax oil when refilling
Do not use ashless NMMA oils

F04L39Z

10

◆ WARNING

Gasoline vapors can explode. Before starting engine, operate blower for **5** minutes and check engine compartment bilge for gasoline vapors.

F04L8NY

11

◆ WARNING

While fueling, stop engine(s). Fuel tank may be pressurized. Slowly turn cap when opening. Keep watercraft level. Do not overfill. Use regular unleaded gasoline. Check oil level. Periodically, verify fuel system.

F04L8OY

12

◆ WARNING

Do not sit in bow seats above idle speed or rough/choppy water.

F04L8PY

13

◆ WARNING

Engines must be off when using ladder and swim platform.

F04L6DZ

14

◆ WARNING

- Avoid body contact with bimini top.
- Operate this craft at a very low cruising speed with bimini top installed.
- Hold down straps are under tension.
- For daytime use only to insure visibility of navigation lights.

F10L07Y

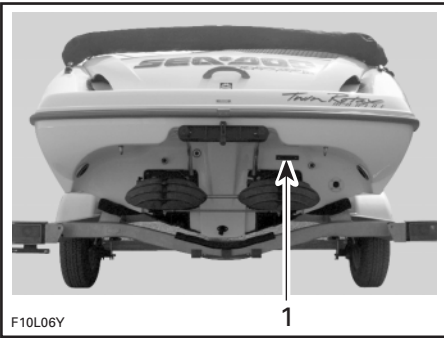
IF SO EQUIPPED

IDENTIFICATION NUMBERS

The main components of the jet boat (hull and engines) are identified by different serial numbers. It may sometimes become necessary to locate these numbers for warranty purposes or to trace the jet boat in the event of theft.

Hull

The Hull Identification Number (H.I.N.) is located on the right side of the transom.



TYPICAL — SPORTSTER 1800 SHOWN

1. Hull Identification Number (H.I.N.)

The jet boat model number can be found on RH side of operator position.

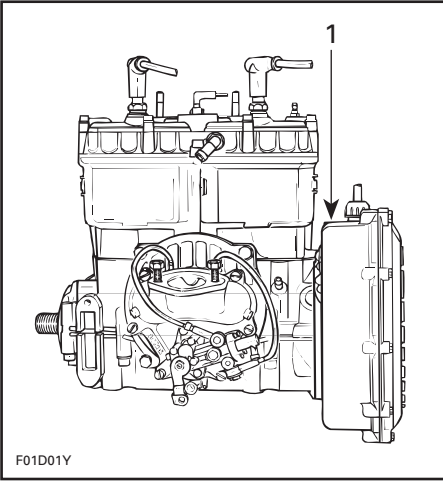


*TYPICAL — CHALLENGER 1800 SHOWN,
REFER TO ACTUAL LABEL ON
BOAT*

1. Model number

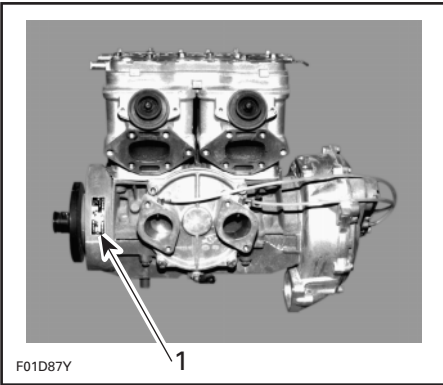
Engines

The Engine Identification Number (E.I.N.) is located on the crankcase on PTO side.



SPORTSTER 1800 ENGINE

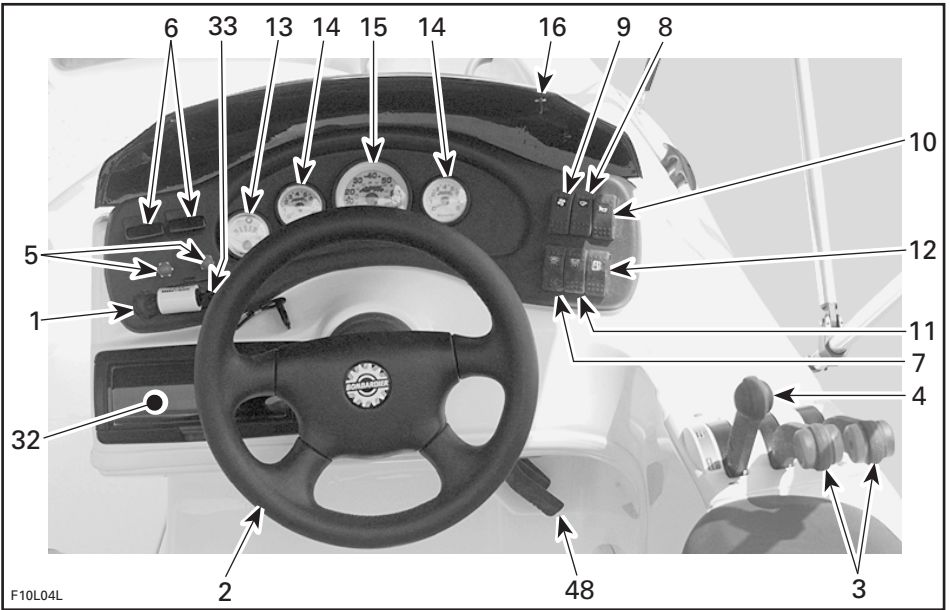
1. Engine Identification Number



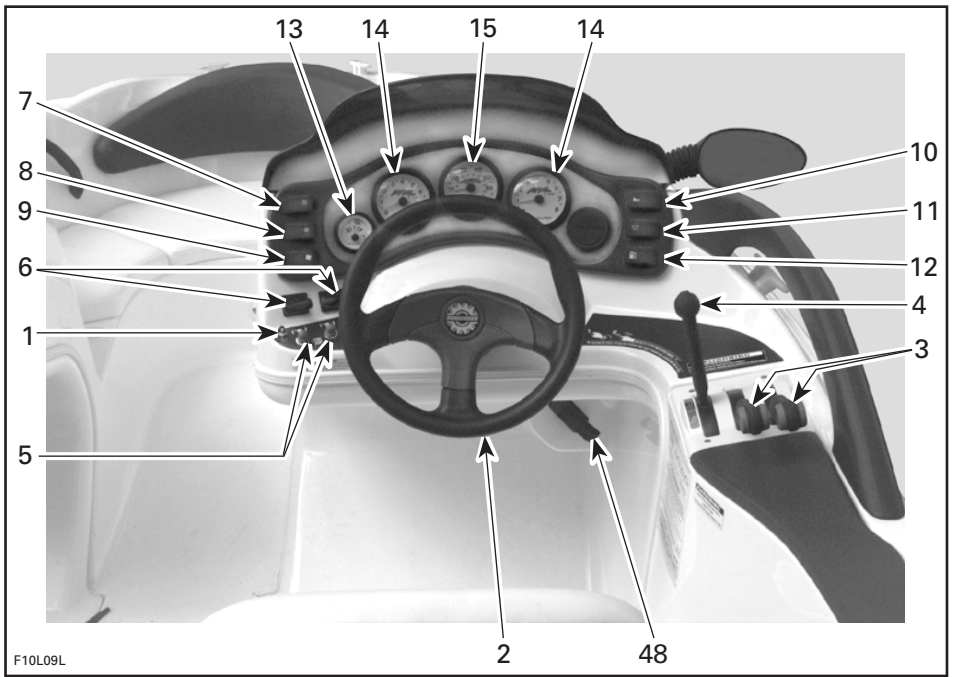
CHALLENGER 1800 ENGINE

1. Engine identification number

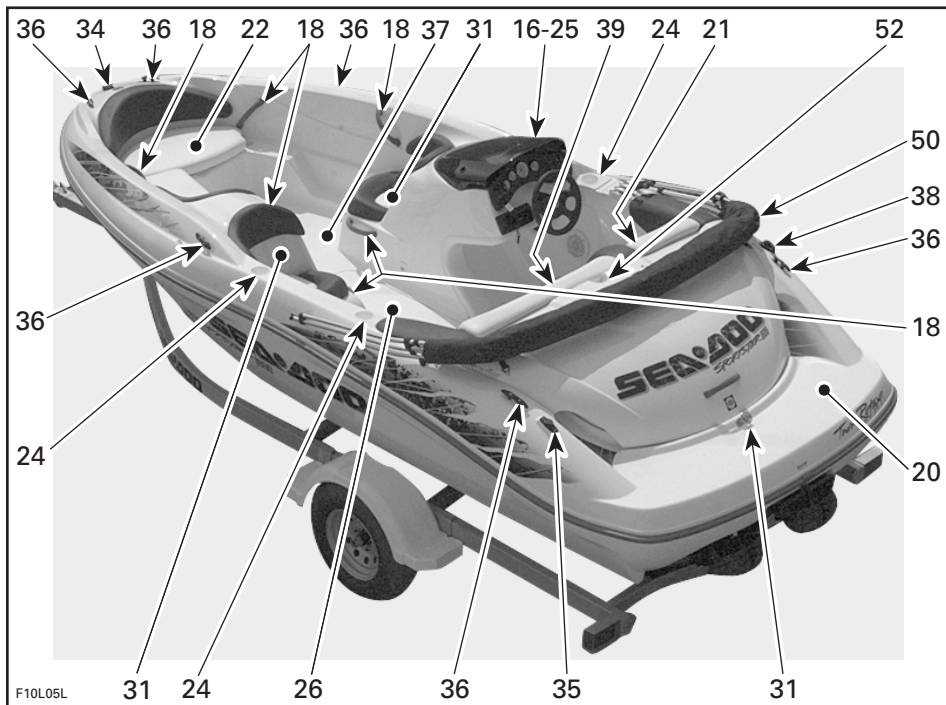
CONTROLS AND COMPONENTS LOCATION



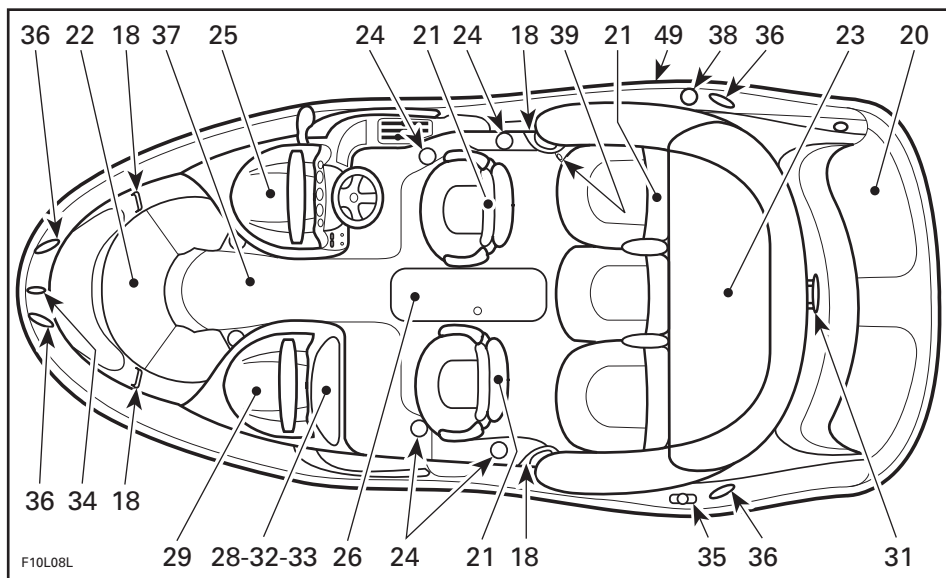
COCKPIT VIEW — SPORTSTER 1800



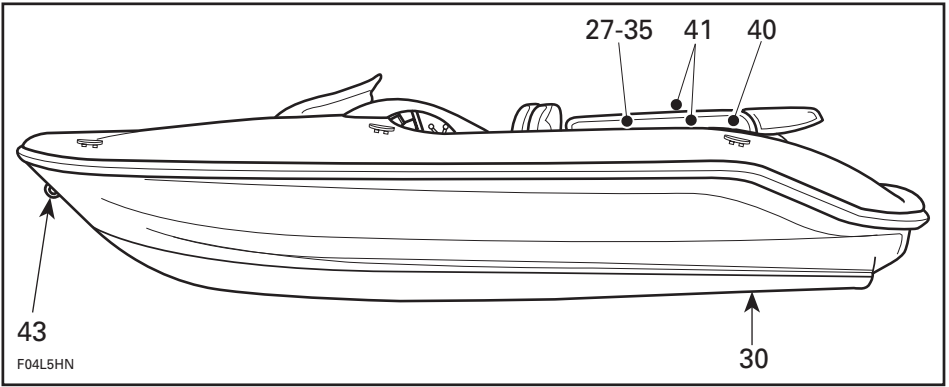
COCKPIT VIEW — CHALLENGER 1800



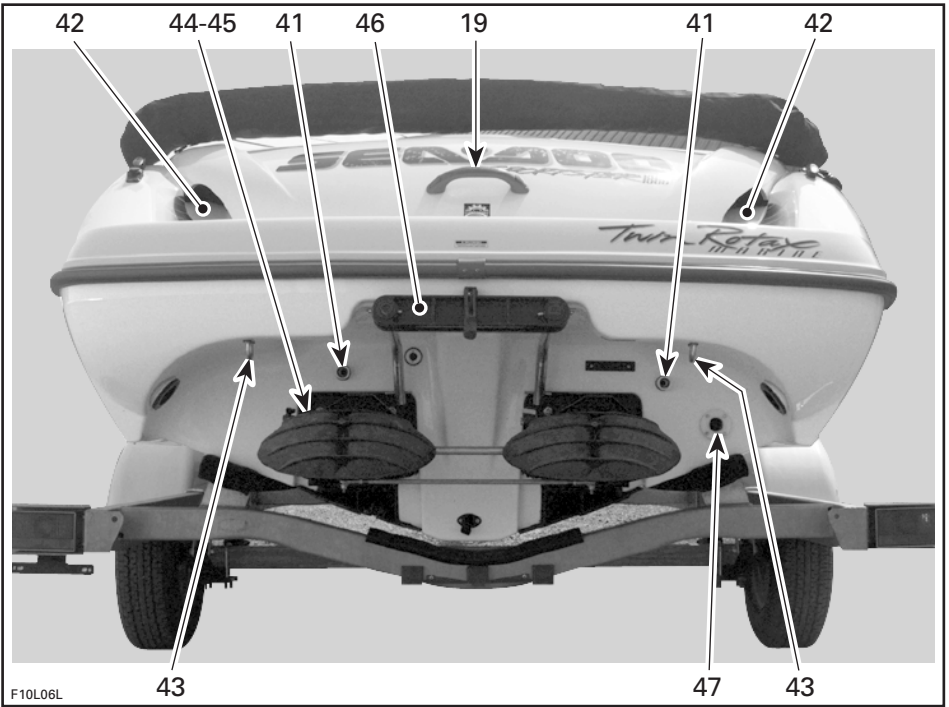
TOP/SIDE VIEW — SPORTSTER 1800



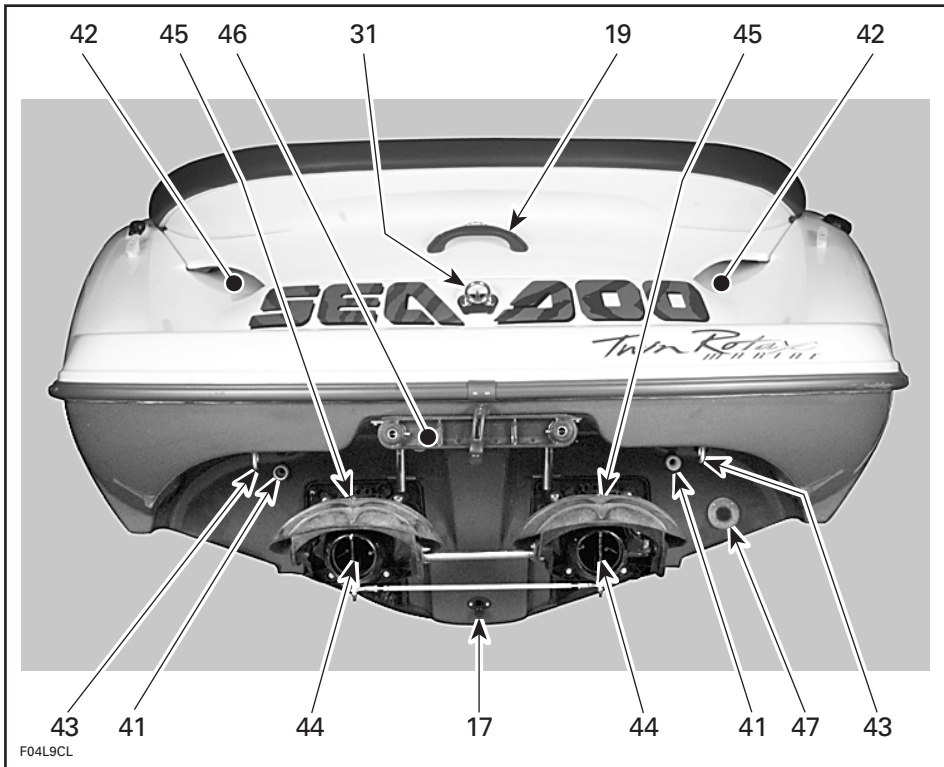
TOP VIEW — CHALLENGER 1800



TYPICAL SIDE VIEW — SPORTSTER 1800 AND CHALLENGER 1800



REAR VIEW — SPORTSTER 1800

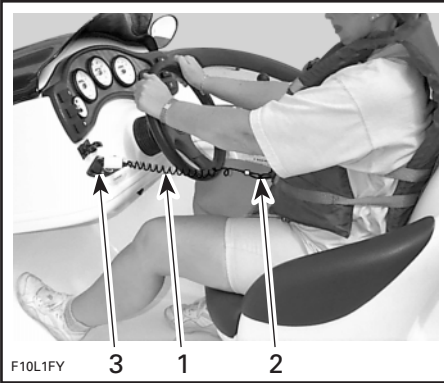


REAR VIEW — CHALLENGER 1800

1. Safety Lanyard Post
2. Steering Wheel
3. Throttle Levers
4. Shift Lever
5. Start/Stop Buttons
6. Choke Levers
7. Navigation Light Switch
8. Bilge Pump Switch
9. Bilge Air Blower Switch
10. Horn Switch
11. Deck Light Switch
12. Low-Fuel Warning System Switch
13. Fuel Gauge/Low Injection Oil Level Pilot Lamp
14. Tachometers
15. Speedometer
16. Wind Deflector (if so equipped)
17. Bilge Drain Plug
18. Grab Handles
19. Rear Grab Handle
20. Swim Platform
21. Seats
22. Sun Seat
23. Sun Deck (if so equipped)
24. Cup Holders
25. Right Front Storage Compartment
26. Deck Storage Compartment
27. Rear Storage Compartment
28. Glove Box (if so equipped)
29. Left Front Storage Compartment (if so equipped)
30. Jet Pump Water Intakes
31. Tow Hook
32. Radio
33. 12-Volts Accessory Jack
34. Bow Light
35. Removable Stern Light
36. Mooring Cleats
37. Deck
38. Fuel Tank Cap
39. Deck Drain Hole
40. Oil Injection Tank Cap
41. Flushing Connectors
42. Ventilation Ducts
43. Bow/Stern Eyelets
44. Jet Pump Nozzles
45. Reverse Gates
46. Retractable Ladder
47. Scupper Valve
48. Weedless System Lever
49. Fuel Tank Vent
50. Bimini Top (if so equipped)
51. Ski Post

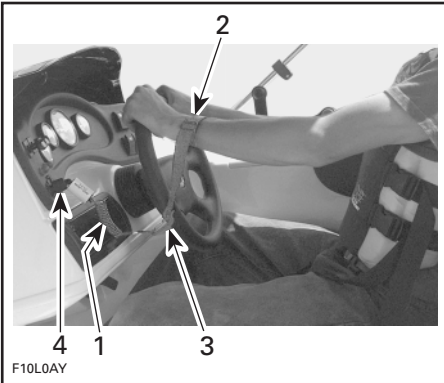
1) Safety Lanyard Post

The safety lanyard must be installed on the boat's DESS post to allow engine starting. Pull it to stop the engines. Always attach the safety lanyard to the operator's Personal Flotation Device (or to your wrist using an appropriate wrist-band) and snap the cap to the DESS post.



CHALLENGER 1800 SHOWN

1. Safety lanyard
2. Secure to PFD
3. Snap to DESS post



SPORTSTER 1800 SHOWN

1. Safety lanyard
2. Wrist band
3. Secure safety lanyard to wrist band
4. Snap to DESS post

◆ WARNING

Should lanyard cap become loose or fail to remain on its post, replace immediately.

IMPORTANT: Do not lubricate the safety lanyard post.

After stopping the engines with the start/stop buttons while the safety lanyard remains on the DESS post, they can be restarted as usual within approximately 10 minutes by pressing again the start/stop buttons. After this delay, it is necessary to apply a slight pressure of the safety lanyard on the DESS post. Two short beeps should be heard which indicate the system is ready again to allow engine starting.

◆ WARNING

While the boat engines can be stopped using the start/stop buttons, good driving habits recommend that the safety lanyard also be disconnected when stopping.

◆ WARNING

With jet propulsion systems, no directional control is available when engines are stopped.

Monitoring System

To assist you when using the boat, a system monitors some components of the boat and sends audible signals through a beeper to inform you of a particular condition. The following chart gives the coded signals related to the safety lanyard only. For other possible codes, refer to the TROUBLESHOOTING section.

NUMBER OF BEEPS	POSSIBLE CAUSE	REMEDY
2 shorts (while installing safety lanyard on DESS post).	<ul style="list-style-type: none"> Everything is correct with the safety lanyard (good contact and the right lanyard cap). 	<ul style="list-style-type: none"> Engine can be started normally.
1 long (while installing safety lanyard on DESS post or when pressing start/stop button in some cases).	<ul style="list-style-type: none"> Bad connection between safety lanyard cap and DESS post. Wrong safety lanyard. Dried salt water or oil in safety lanyard cap. Improper operation of MPEM or defective wiring harness. 	<ul style="list-style-type: none"> Remove and reinstall the safety lanyard on the DESS post. Two short beeps should be heard which indicate the system is ready again to allow engine starting. Use the safety lanyard that has been programmed for the boat. If it does not work, refer to an authorized dealer. Clean safety lanyard cap with dishwashing liquid. Refer to an authorized dealer.

Digitally Encoded Security System (DESS)

This system allows an anti-start protection against unauthorized use of the boat. The safety lanyard cap specifically contains an electronic circuit that gives it a unique electronic serial number.

When you buy a new boat, only one safety lanyard allows starting the engines on your boat. At this point, this safety lanyard can not be used on another boat and conversely, the one from another boat can not be used on your boat unless otherwise programmed as explained below.

However, the DESS brings a great flexibility. You can buy additional safety lanyard(s) and have it (them) programmed to a boat so that more than one safety lanyard can be usable on a particular boat. To have additional safety lanyard(s) programmed to your convenience, refer to an authorized dealer.

2) Steering Wheel

The steering wheel controls the direction of the jet boat. Turning the steering wheel clockwise steers the jet boat to the right and turning it counter-clockwise steers to the left.



WARNING

Check steering and movement of steering nozzles operation before starting.

Low-Speed Steering Control System

Whenever the throttle lever is in **idle position** and the steering wheel is approaching the end of its rotation, the engine speed will be slightly accelerated to increase the jet pump thrust and thus improving the steering control for low speed operation and when approaching/leaving a dock. Refer to OPERATING INSTRUCTIONS for more details.

3) Throttle Levers

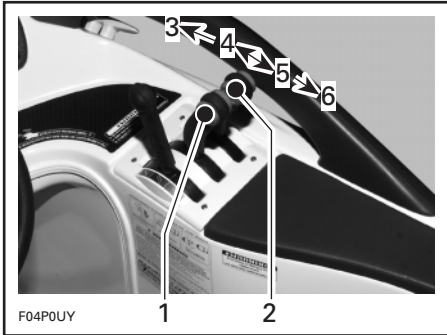
They control the speed of the engines and therefore, the speed of the jet boat. When pushed forward, the jet boat accelerates. When fully pulled back, engines return to idle speed and the jet boat is gradually stopped by water drag.

NOTE: Do not activate throttle levers unnecessarily. Carburetors are equipped with fuel accelerator pumps. These pumps deliver fuel to the engines each time throttle levers are moved forward.



WARNING

Check throttle lever operation before starting the engines.



THROTTLE LEVERS — CHALLENGER 1800 SHOWN

1. Port engine
2. Starboard engine
3. Full throttle
4. Increase speed
5. Decrease speed
6. Idle speed

The port throttle lever controls the RPM of the port engine and the starboard lever controls the starboard engine. Although each engine RPM can be controlled individually, we recommend to move both levers simultaneously.

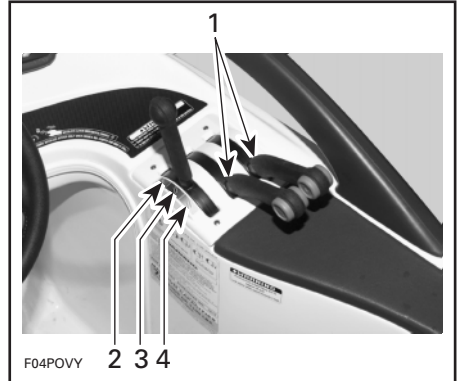
4) Shift Lever

A 3-position lever:

- Forward
- Neutral
- Reverse

In order to shift, throttle levers must be fully pulled back to idle speed. Shifter must be in neutral position to allow engine starting.

NOTE: 4 short beeps will signal that shifter is not in neutral (with the safety lanyard on the DESS post while pressing one of the start/stop button). Thereafter, 1 short beep will confirm the neutral position (while shifting).



SHIFT LEVER — CHALLENGER 1800 SHOWN

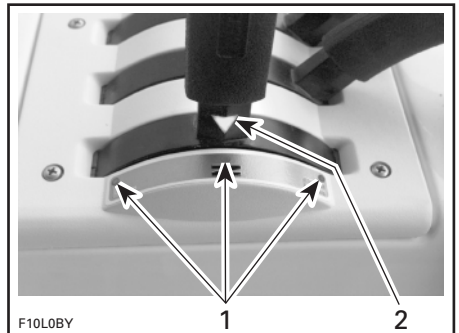
1. Throttle levers must be fully pulled back (idle speed) to shift
2. Forward
3. Neutral
4. Reverse



CAUTION

Do not force lever, ensure throttle levers are in idle position.

NOTE: To ease shifter use, line up the shifter arrow with the appropriate dot (Forward/Neutral/Reverse).



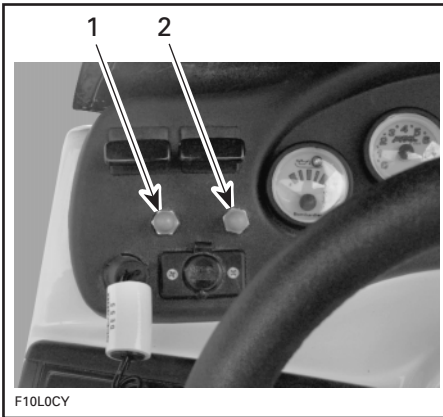
1. Dots besides shifting position
2. Arrow on shifter

◆ WARNING

Only use reverse at slow speed and for the shortest time possible. Always ensure the path behind is clear of obstacles, swimmers and children playing in shallow water. If stopping the engines is required, pull safety lanyard from the DESS post.

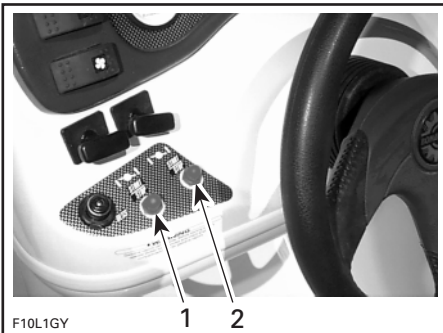
5) Start/Stop Buttons

Dual function push switches. Used to start as well as to stop engines.



START/STOP BUTTONS — SPORTSTER 1800

1. For port engine
2. For starboard engine



START/STOP BUTTONS — CHALLENGER 1800

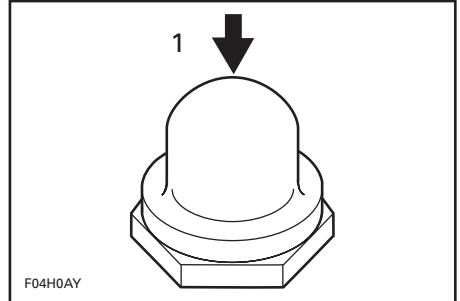
1. For port engine
2. For starboard engine

Starting

NOTE: Shifter must be in neutral position and the safety lanyard must be on the DESS post to allow engine starting.

To start engine, press and hold the button. Release immediately after engine is started. Proceed the same way for the other engine.

NOTE: Only one engine at a time can be started.



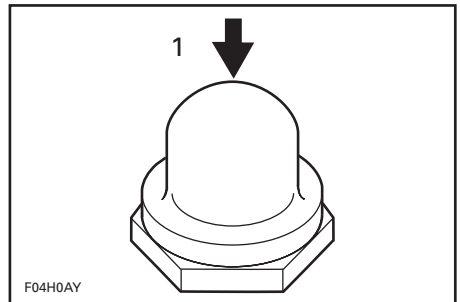
1. Start when engine is **NOT** running

Stopping

◆ WARNING

While engines can be stopped by pressing the stop button, we strongly recommend the engines be stopped by removing the safety lanyard. This will instill good habits.

Pressing buttons when engines are running will stop the engines.



1. **STOP** when engine **IS** running

NOTE: For complete step by step engine starting procedure, see **Starting the Engines** in operating instructions section.



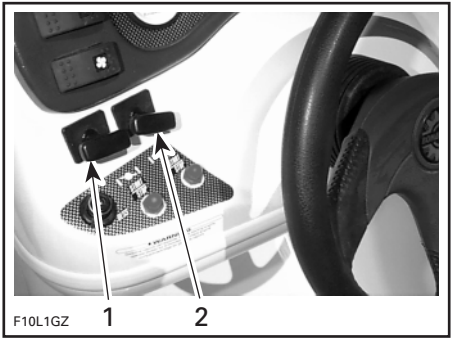
WARNING

Directional control is not available when engines are stopped.

6) Choke Levers

The chokes are provided to supply a richer fuel/air mixture when starting cold engines. When the levers are completely pulled, the chokes are fully applied. The use of the chokes are not required with warm engines.

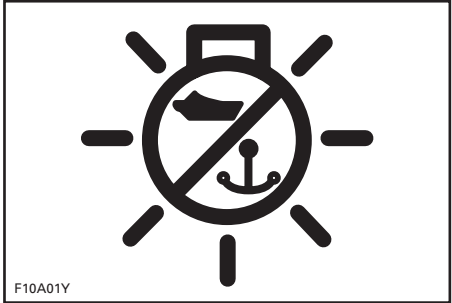
Choke levers must be pulled and held to operate. They will automatically return to their normal position when released.



CHOKE LEVERS — CHALLENGER 1800

1. For port engine
2. For starboard engine

7) Navigation Light Switch



A 3-position NAV/OFF/ANC push type switch.

NOTE: The navigation lights may be operated without the safety lanyard on DESS post.

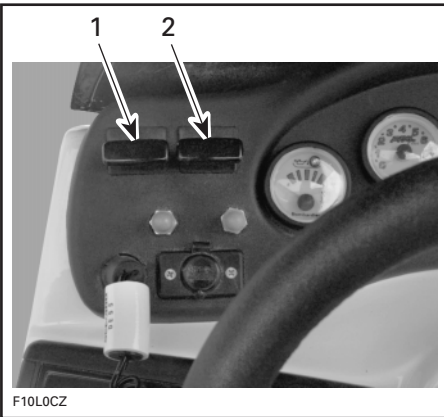
Press switch to first position to turn on the stern light (anchorage position).

Press switch to second position to turn on the bow and stern lights.

Press to OFF position to turn off navigation lights.

Navigation lights should always be used between sunset and sunrise. Ensure the stern light is installed. See **Removable Stern Light** in this section for location and installation.

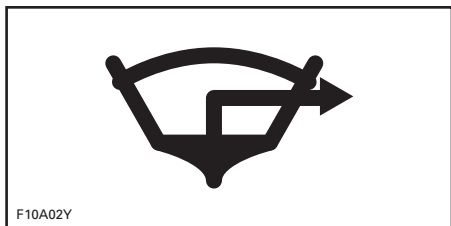
NOTE: Switches and gauges are lit when navigation lights are turn on.



CHOKE LEVERS — SPORTSTER 1800

1. For port engine
2. For starboard engine

8) Bilge Pump Switch



A 2-position push type switch.

Press switch to ON position when a manual operation is required (after cleaning, storage, etc.).

Press to OFF position when finished.

▼ CAUTION

Do not operate for prolonged time if the bilge is dry.

NOTE: The bilge pump may be operated without the safety lanyard on DESS post.

Using the bilge pump for a prolonged time when the engines are not running will discharge the battery.

▼ CAUTION

Ensure to always turn OFF pump after starting engines and before operating the engines above idle.

Automatic Bilge Pump

An automatic bilge pump will evacuate water from the bilge. A water sensor detects the water which activates the pump. After the water is pumped out, the pump shuts-off automatically. This automatic mode is working at all times: with/without safety lanyard on DESS post and with/without engine running.

9) Bilge Air Blower Switch



A 2-position push type switch. When ON, it ventilates the engine compartment.

Press switch to ON position to turn on the blower.

The blower must be started 5 minutes prior to starting the engines.

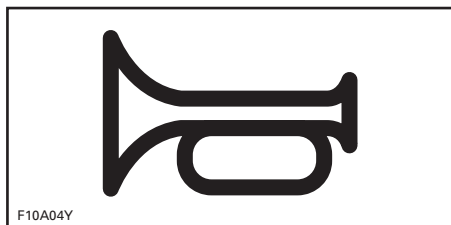
◆ WARNING

Always use blower for a minimum of 5 minutes prior to engine starting then, turn it OFF before operating the jet boat.

Press the switch to OFF to turn off the bilge blower.

Using the bilge blower for a prolonged time when the engines are not running will discharge the battery.

10) Horn Switch

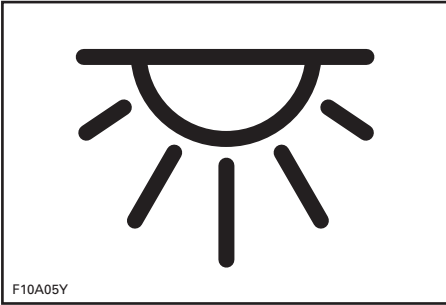


A 2-position push type switch.

Press and hold the switch to activate horn.

Release the switch to stop horn.

11) Deck Light Switch



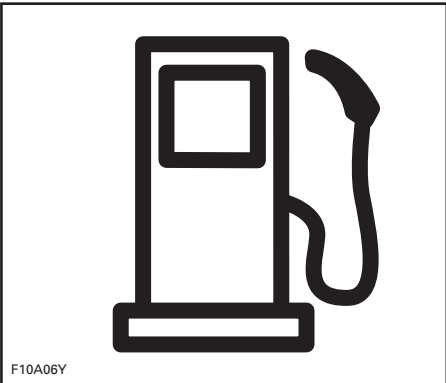
A 2-position push type switch.

Press switch to ON position to turn on the deck lights.

Press switch to OFF position to turn off the deck lights.

Using the deck lights for a prolonged time when the engines are not running will discharge the battery.

12) Low-Fuel Warning System Switch



A 2-position push type switch.

When the fuel tank level is low, a beeper will sound and the pilot lamp on the switch will flash to advise the operator.

Press the switch to stop the beeper and turn off the pilot lamp.

From that point, approximately 10% of the fuel tank capacity is left.

◆ WARNING

Always refill the fuel tank when low-fuel light comes on or before.

13) Fuel Gauge/Low Injection Oil Level Pilot Lamp

Fuel Gauge

Located in dashboard, the analog gauge continuously indicates the amount of fuel in fuel tank when engines are running.

The gauge is illuminated whenever the navigation lights are used.

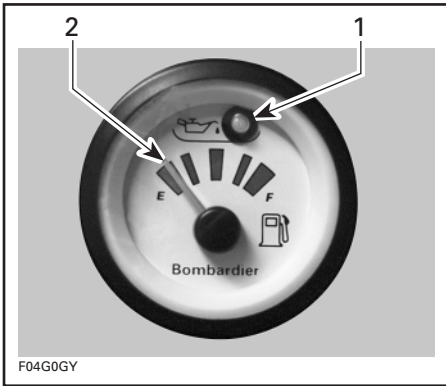
NOTE: The fuel level can also be verified without having engines running. With the safety lanyard removed from the DESS post, push a start/stop button; the gauge will be activated for approximately 30 seconds.

Low Injection Oil Level Pilot Lamp

The pilot lamp turns on when the injection oil level is low in oil reservoir or if a wire/connector of this electrical circuit is not properly connected. Fill reservoir as soon as possible or contact an authorized dealer if light remains on.

▼ CAUTION

Do not run engine out of oil. Serious engine damage will occur.



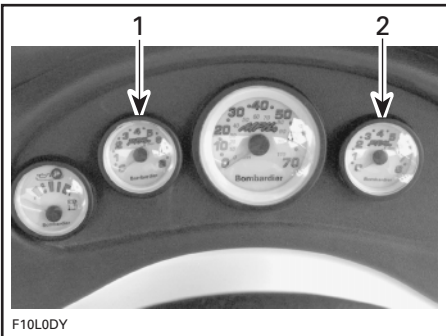
F04G0GY

1. Low injection oil level pilot lamp
2. Fuel level

14) Tachometers

Analog tachometers indicate the revolutions per minute (RPM) of the engines. Multiply reading by 1000 to obtain actual RPM.

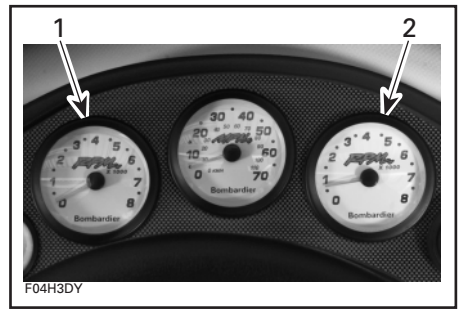
The gauges are illuminated whenever the navigation lights are used.



F10L0DY

SPORTSTER 1800

1. Port engine tachometer
2. Starboard engine tachometer



F04H3DY

CHALLENGER 1800

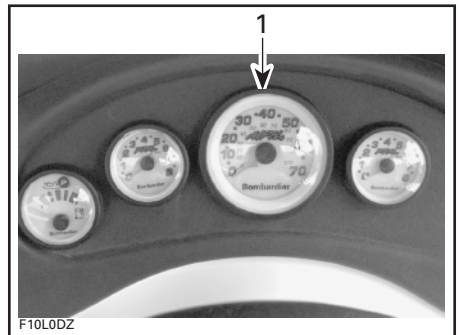
1. Port engine tachometer
2. Starboard engine tachometer

15) Speedometer

The analog speedometer indicates the speed of the jet boat in miles per hour (MPH) and kilometers per hour (km/h).

The gauge is illuminated whenever the navigation lights are used.

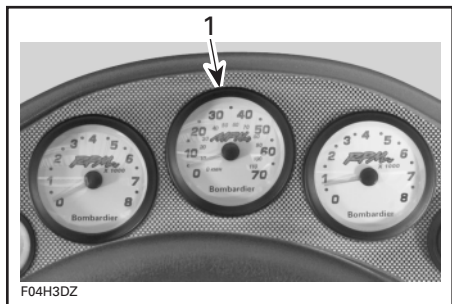
A speed sensor mounted on the left ride shoe sends the signal to the speedometer.



F10L0DZ

SPORTSTER 1800

1. Speedometer



F04H3DZ
CHALLENGER 1800
 1. Speedometer

16) Wind Deflector (if so equipped)

For your convenience, a movable deflector may be used to divert the air flow. Pull latch then lift the deflector until locked by the retaining device. When finished, lower deflector then push down to relatch.



F10L0EY
TYPICAL



F10L0FY
TYPICAL

17) Bilge Drain Plug

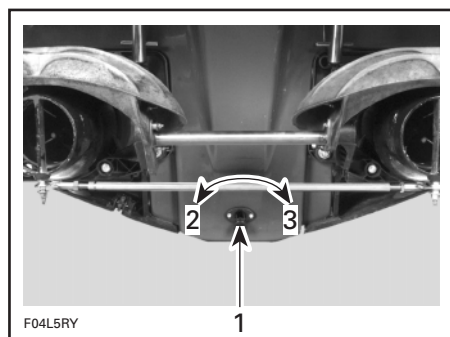
Should water be left in the bilge, it can be easily drained by unscrewing the plug while on the trailer.

▼ CAUTION

Remove jet boat from water prior unscrewing the drain plug.

Tilt the jet boat slightly to the rear so that the water can completely flow out of the bilge.

It is suggested to drain bilge when trailer is on a ramp.



1. Drain plug
2. Loosen
3. Tighten

◆ WARNING

Always make sure bilge drain plug is properly tightened prior to launching boat.

18) Grab Handles

Provides a handhold for the passengers.

▼ CAUTION

Never use the grab handles to pull anything or to lift the jet boat.

19) Rear Grab Handle

Provides a handhold for boarding when needed.

▼ CAUTION

Never use the grab handle to tow anything or to lift the jet boat.

20) Swim Platform

Provides a large anti-skid surface for easy boarding from rear of jet boat.

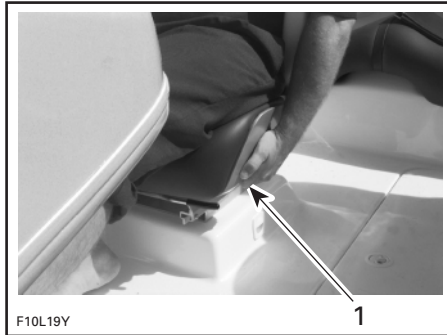
◆ WARNING

Engines must be off when using platform. Keep away from jets or intake grates.

21) Seats

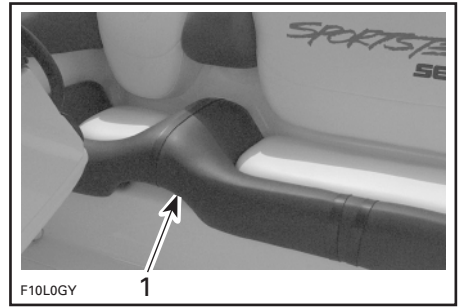
Each passenger should be seated while underway.

For your convenience, some seats are provided with grab handles molded in the seat base.



TYPICAL — FRONT SEAT OF CHALLENGER 1800 SHOWN

1. Grab handles molded in seat base



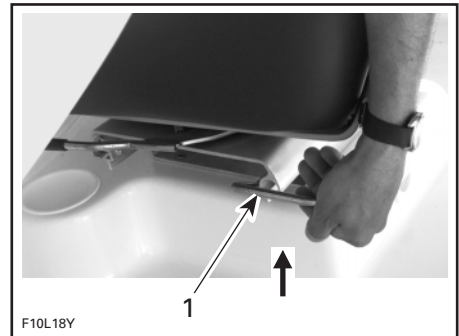
TYPICAL — REAR SEAT OF SPORTSTER 1800 SHOWN

1. Grab handle molded in seat base

Challenger 1800

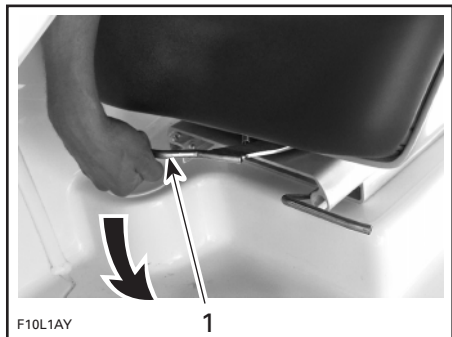
Both front seats are swivels and adjustable fore and aft.

For the fore and aft adjustment, lift lever to unlock seat. Move seat at the desired position. Release lever after adjustment is completed.



1. Fore and aft control lever

To unlock swivel, pull lever toward front in a rotating movement. Turn seat at the desired position. The seat can be locked in steps of 45°. To lock swivel, release lever.



1. Swivel control lever

With this feature, the front passenger seat can be rotated backward to be used as a spotter seat.

NOTE: It is necessary to move the seat completely forward to allow a rotation of 180° (half a turn).

◆ WARNING

Always ensure swivel is locked before riding. Seat must also face steering wheel.

22) Sun Seat

Located at front of boat, it is provided as a sun seat.

◆ WARNING

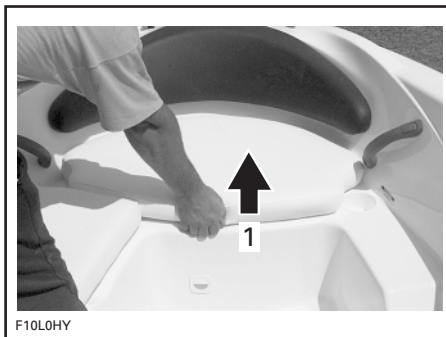
No passenger should use this seat except at low speed in calm water or when the jet boat is stopped.

Storage Compartments

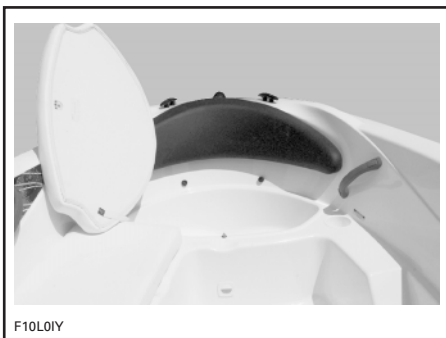
Sportster 1800

Sun Seat

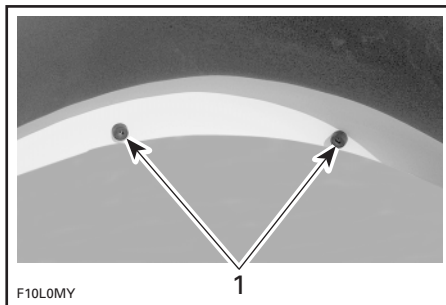
Lift sun seat to expose storage compartment. Pay attention to the retaining strap when laying down seat.



1. Lift seat



When reinstalling seat, slide it so that its base goes under the two stoppers then push down seat to properly latch.



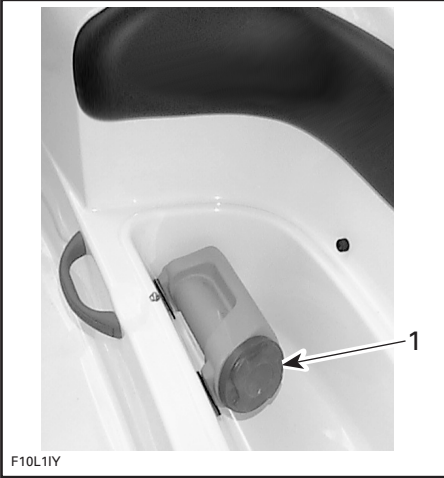
1. Slide seat under stoppers

Side Seat

Lift side seat to expose storage compartment. Pay attention to the retaining strap when laying down seat.



A holder is provided to store an approved fire extinguisher.



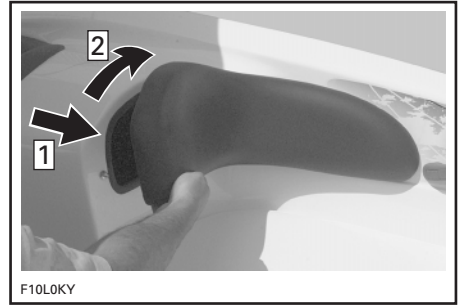
1. Extinguisher holder

The fire extinguisher (sold separately) should not be loose in the storage compartment.

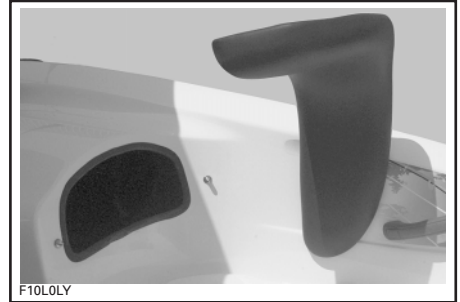
When finished, reinstall seat as described for sun seat above.

Side Seat Backrest

Pull backrest a small amount to unlatch then gently rotate clockwise.



Step **1** : Pull a small amount to unlatch
Step **2** : Gently rotate clockwise



When finished, rotate backrest to cover storage compartment opening then push backrest to properly latch.

All Models

23) Sun Deck (if so equipped)

A convenient space to rest or take some sun while anchored.



WARNING

No passenger should use this space except in calm water when the jet boat is anchored.

24) Cup Holders

Convenient locations for non-alcoholic beverages.



WARNING

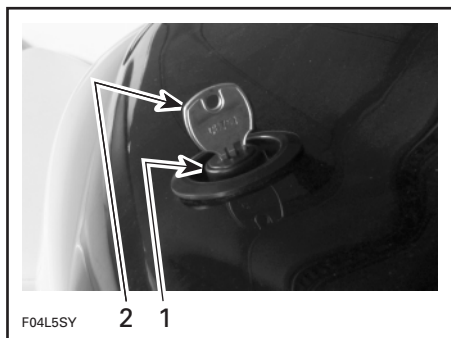
Do not drink alcoholic beverages while aboard. Do not keep bottles, cans etc. in cup holders while riding at speed and/or on rough water.

25) Right Front Storage Compartment

Challenger 1800

A convenient watertight, lockable storage compartment with a removable basket to carry personal articles. The basket is the ideal location for spare spark plugs, first aid kit, etc.

To access the storage compartment, open the cover using the provided key to unlock the release button.



TYPICAL

1. Release button
2. Key

Press the release button to open cover.

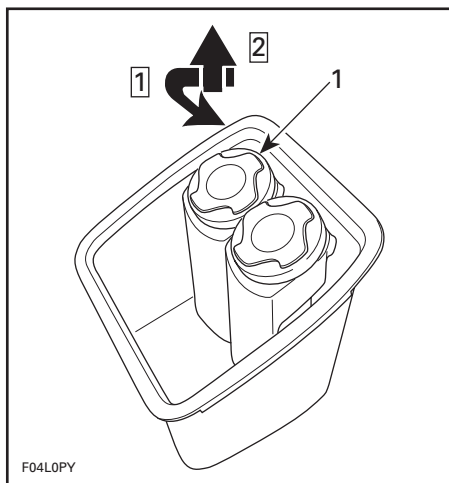
When completely open, it remains in this position on calm water.

The basket is provided with a holder to store an approved fire extinguisher.

The fire extinguisher (sold separately) should not be loose in the storage compartment.

A second holder contains the *Operator's Guide* and can be used to carry personal articles.

The *Operator's Guide* should be kept in a waterproof bag and remain with the jet boat at all times.



Step **1** : Turn covers counterclockwise to unlock

Step **2** : Lift

1. Extinguisher holder

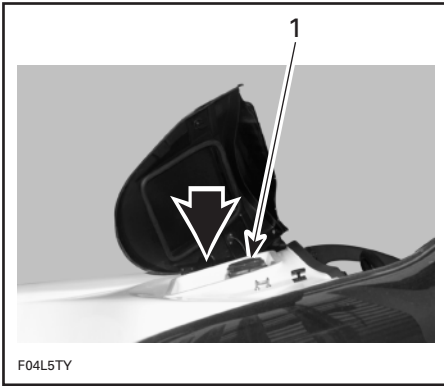
The basket can be pulled out to have access to a convenient storage area.



WARNING

Ensure no object can reach and touch the helm lever, any other moving part or the electrical system.

Reinstall basket as shown.



F04L5TY

BASKET INSTALLATION

1. Holders toward rear

Sportster 1800

A convenient watertight, lockable storage compartment with a removable cooler.

The cooler is the ideal location to keep a lunch or beverages.

The opening cover is the same as per the **Challenger 1800** model above.

The cooler contains the *Operator's Guide* which should be kept in a waterproof bag and remain with the jet boat at all times. It is suggested to place the guide in the storage area underneath the cooler.

Remove the cooler.

The storage area below the cooler can be used to carry large personal articles. Ideal location for sleeping bags, blanket, duffle bags, etc.

Reinstall cooler as shown.



F10L0PY

TYPICAL — COOLER INSTALLATION

All Models



WARNING

Never leave any heavy or loose breakable objects in the storage area, the basket or in the cooler. Ensure no object can reach and touch the helm lever, any other moving part or the electrical system.

Push down the storage compartment cover to close.

NOTE: Always relatch and lock storage compartment cover using the key.



WARNING

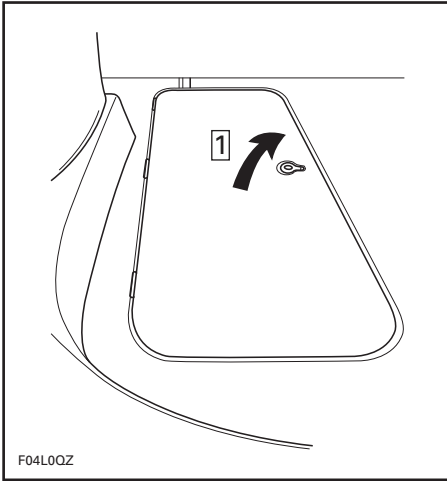
Never operate the boat with the storage compartment cover open.

26) Deck Storage Compartment

The lockable deck storage compartment is a convenient location for water-skis, paddles, anchor and rope, etc.

Use the provided key to unlock latch.

Lift the latch ring.



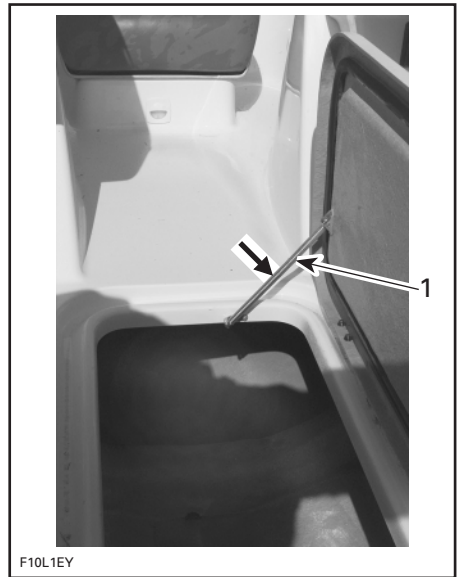
Step **1** : Pull latch and lift cover

Models with a Retaining Spring

Lift the latch ring and open cover gently until stopped by retaining spring.

When completely opened, the cover remains in that position on calm water.

To close, gently push on the side of the spring to release it and lower the cover.

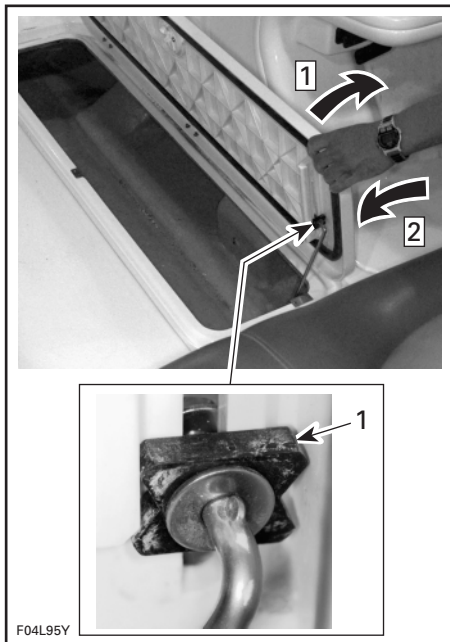


1. Gently push here to release the spring

Models with a Retaining Rod

Fully open cover until stopped by the retaining rod.

Pull back cover until the slider locks the cover open.



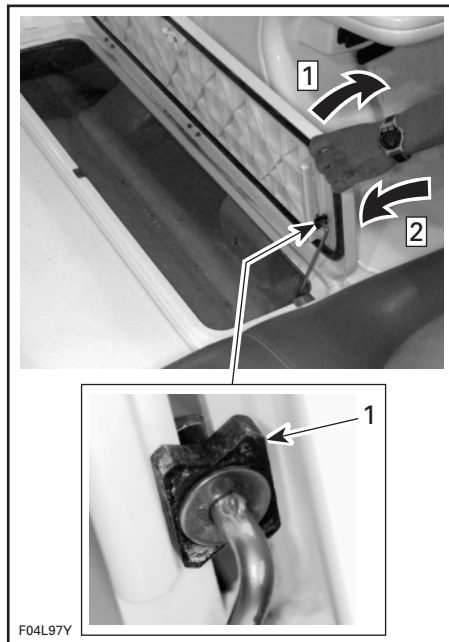
Step 1 : Fully open

Step 2 : Pull back until slider locks cover open
1. Slider in locked position

The cover will hold in this position.

To close cover, pull it fully open until stopped by the retaining rod.

Slowly push cover down so that the slider unlocks.



Step 1 : Fully open

Step 2 : Slowly pull cover down
1. Slider in unlocked position

All Models

Always relock latch after closing by lowering the latch ring.

◆ WARNING

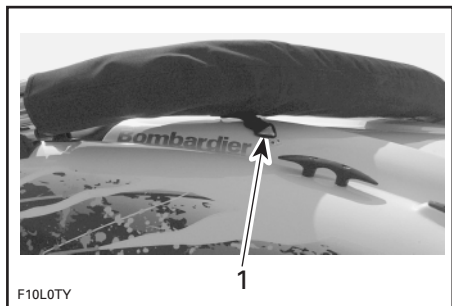
Never operate the boat with the storage compartment cover open.

27) Rear Storage Compartment

Convenient rear storage location to be used to carry large personal articles. Ideal location for spare Personal Flotation Device (PFD), towels, lunch etc.

Sportster 1800 Model

Unhook retaining straps of Bimini top from body before opening rear storage compartment.

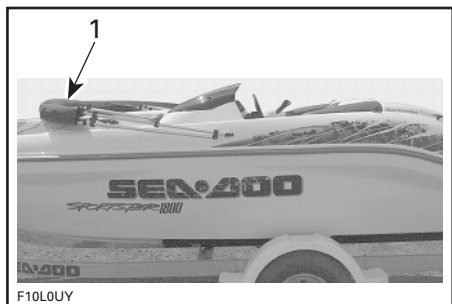


F10L0TY

1. Retaining strap

Pull mirror inside so that it does not exceed the side of the boat. This will prevent the Bimini top to hit the mirror while pivoting.

Pivot Bimini top forward and lay down.

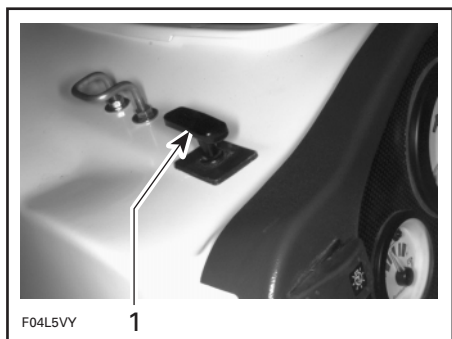


F10LOUY

1. Bimini top here

All Models

To open rear cover, open the right front storage compartment cover and pull lever.



F04L5VY

TYPICAL — CHALLENGER 1800 SHOWN

1. Lever

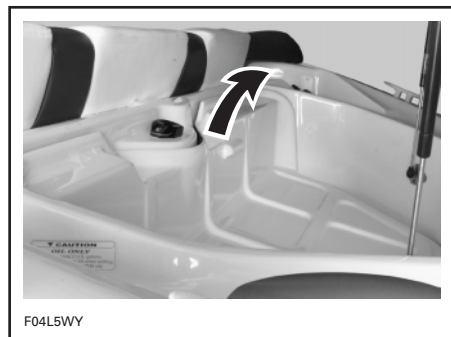
The gas assist cylinders will complete the opening and hold cover open.

NOTE: Access to the rear storage compartment is protected only when the right front storage compartment cover is locked.

The storage tray is removable to give access to the engine compartment. Grab the handle and lift in a rearward movement until opposite holders release.

◆ WARNING

When storage tray is lifted or removed, never touch any electrical part when starting engines or while in operation.



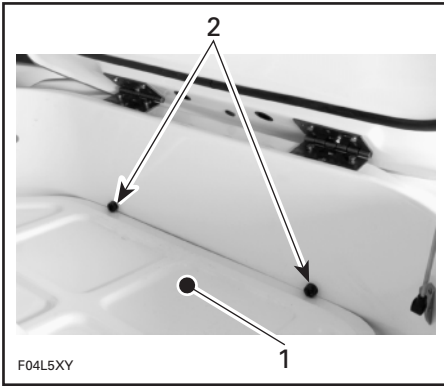
F04L5WY

CHALLENGER 1800 SHOWN

◆ WARNING

Never leave any object, rag, tool, etc., in the engine compartment or in the bilge.

When reinstalling storage tray, ensure to properly locate it just below holders, gently lower tray then push it downward to lock.



TYPICAL — CHALLENGER 1800 SHOWN

1. Rear storage compartment tray
2. Tray under holders

Firmly close storage compartment cover to relatch.

◆ WARNING

Never operate the boat with the rear storage compartment cover open.

▼ CAUTION

If the rear storage compartment cover is not correctly latched, damage may occur and you might lose objects resting on tray while transporting boat.

Sportster 1800 Model

Pivot Bimini top rearward and lay down over rear storage compartment cover.

Hook retaining straps of top to body.

Readjust mirror properly

All Models

28) Glove Box (if so equipped)



1. Glove box

Located on LH side console.

A small, convenient lockable storage compartment for keys, wallet, etc.

To access the glove box, unlock the release button using the provided key and press button.

NOTE: Always relatch and lock glove box.

◆ WARNING

Never operate the boat with the glove box cover open.

29) Left Front Storage Compartment (if so equipped)

Challenger 1800

A convenient watertight, lockable storage compartment with a removable cooler.

The cooler is the ideal location to keep a lunch or beverages.

The storage area below the cooler can be used to carry large personal articles. Ideal location for sleeping bags, blanket, duffle bags, etc.

◆ WARNING

Never leave any loose breakable objects in this storage area.

To access the storage compartment, open the cover. See the **Right Front Storage Compartment** for the complete procedure as mentioned earlier in this section.

Remove the cooler.

NOTE: Always relatch and lock storage compartment cover using the key.

◆ WARNING

Never operate the boat with the storage compartment cover open.

30) Jet Pump Water Intakes

The water is drawn up by the impellers through these openings. The impellers and the drive shafts are protected by a grate. Refer to OPERATING INSTRUCTIONS section for an overview of the propulsion system.

31) Tow Hook

The hook is provided for your convenience.

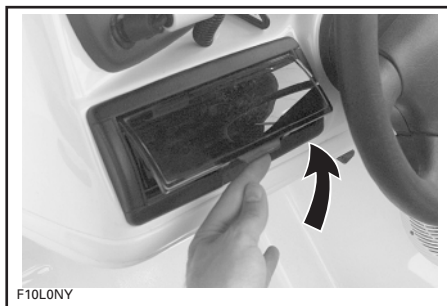
The universal eyelet allows a rope with a hook, a closed end or an open end to be attached.

32) Radio

Refer to its guide for a complete explanation of the features and controls.

Using the radio for a prolonged time without engines running may discharge the battery.

Sportster 1800



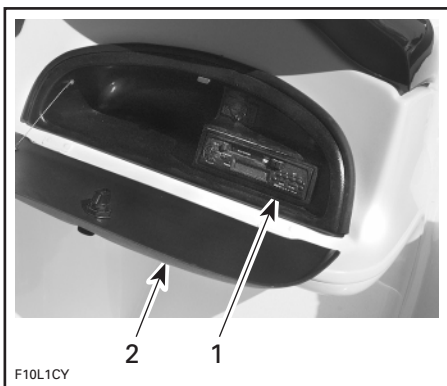
Lift protection flap and push in when completely lifted.

Close protection flap when radio is not in use to protect against weather inclemency.

Challenger 1800

Located in glove box of LH side console.

Open the glove box to access the radio.



1. Radio
2. Glove box cover opened

NOTE: The radio is better protected from theft when the glove box and left front storage compartment cover are locked.

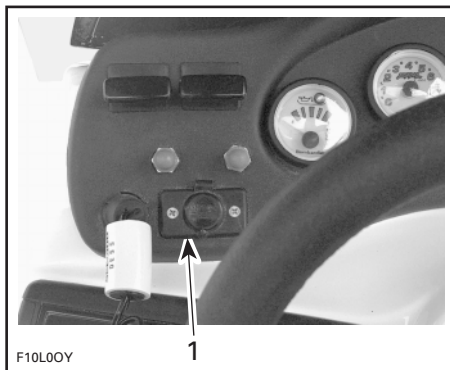
◆ WARNING

Never operate the boat with the glove box cover open.

33) 12-Volts Accessory Jack

Sportster 1800

Located in dashboard.

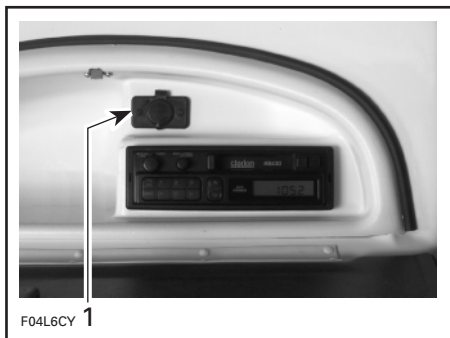


1. Accessory jack

Challenger 1800

Located in glove box of LH side console.

Open the glove box to access the accessory jack.



1. Accessory jack

All Models

A 12-volts jack to plug temporary accessories.

Lift protection cap to expose jack.

Using the accessory jack for a prolonged time without engines running may discharge the battery.

Sportster 1800

Close protection cap when jack is not in use to protect against weather inclemency.

All Models

34) Bow Light

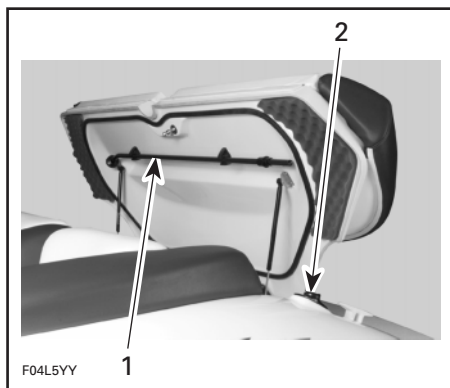
Mandatory red/green light. See Navigation Light Switch as mentioned earlier in this section.

35) Removable Stern Light

Mandatory stern white light.

It is recommended to keep it in rear storage compartment at all times except when needed.

To remove from storage cover, pull it out. Snap in place to store again.



TYPICAL — CHALLENGER 1800 SHOWN

1. Stern light storage location
2. Stern light operation position

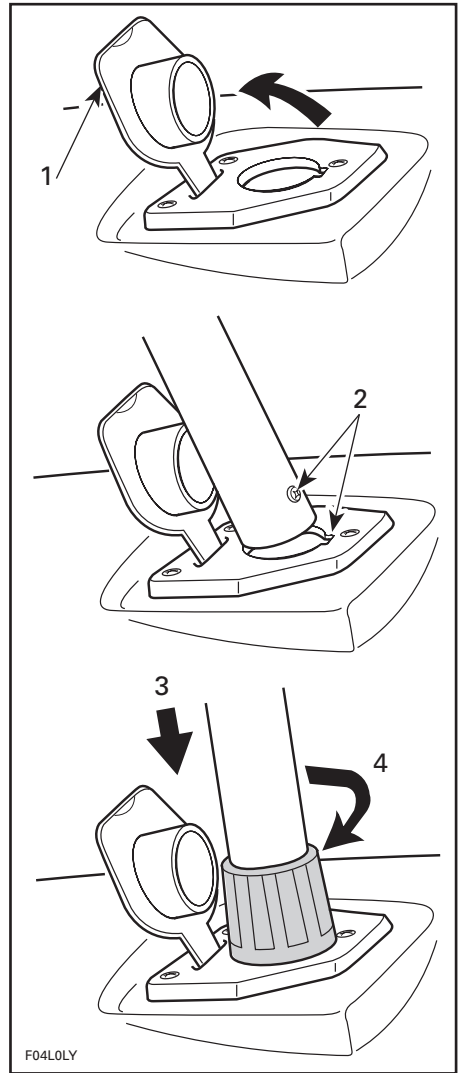
Installation

- Lift connector cap.
- Insert post in connector hole. Ensure to align hole keyway with post screw head.
- Firmly push downward to engage terminals.
- Push lock ring downward. Turn until locked. It may be necessary to slightly turn it to allow its insertion in the hole.
- Check light operation. See **Light Switch** as mentioned earlier in this section.



WARNING

The jet boat is not equipped with headlights or spotlights.



TYPICAL

1. Lift
2. Align screw in groove
3. Push downward
4. Turn to lock

▼ CAUTION

Ensure dielectric grease is present in connector area of light to prevent corrosion.

36) Mooring Cleats

When mooring to a dock, it is recommended to secure with both front and rear cleats. The use of dock lines with sealed air fenders is recommended to protect your boat.

▼ CAUTION

Never use mooring cleats to pull anything or to lift the jet boat.

37) Deck

Flat surface of boat, should be kept clean and clear.

38) Fuel Tank Cap

Unscrew the cap counterclockwise to allow fuel tank filling. Fully tighten when finished.

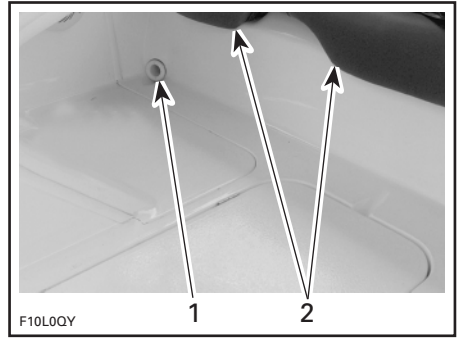
◆ WARNING

Never use a lit match or open flame to check fuel level. Refer to FUEL AND LUBRICATION for fuel specification.

39) Deck Drain Hole

It provides drainage of water from rain, deck washing, water splashing, etc.

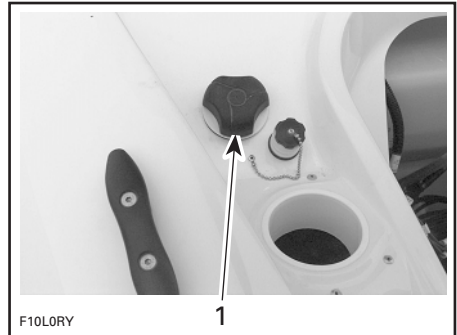
Keep clean to avoid clogging.



- 1. Rear seat
- 2. Deck drain hole

40) Oil Injection Tank Cap

The cap is located under the rear storage compartment cover on port side.



LH SIDE UNDER REAR STORAGE COMPARTMENT COVER

- 1. Oil injection tank cap

Unscrew cap by turning counterclockwise and when finished, firmly tighten by turning clockwise. Close cover. Refer to FUEL AND LUBRICATION for injection oil specification.

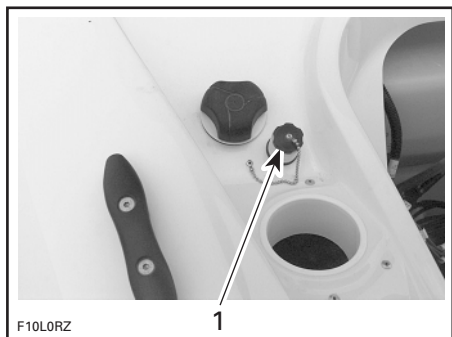
41) Flushing Connectors

Refer to POST-OPERATION CARE section for proper use.

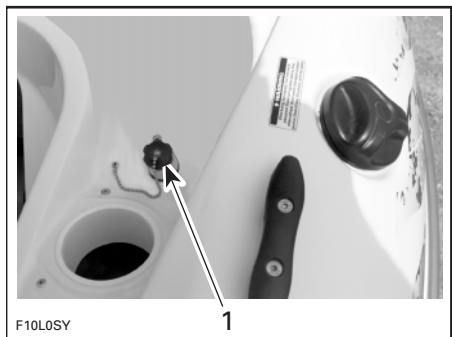
NOTE: Each engine is provided with a flushing connector. Port connector is for port engine and starboard connector is for starboard engine.

For your convenience, there are additional flushing connectors under the rear storage compartment cover. Lift cover, the flushing connectors are on each side of the storage compartment.

You may thus use the flushing connectors at the location that you find more practical.



TYPICAL — SPORTSTER 1800 SHOWN
1. Flushing connector with its cap (port side)



TYPICAL — SPORTSTER 1800 SHOWN
1. Flushing connector with its cap (starboard side)

42) Ventilation Ducts

This is where air flows to supply engine and ventilate engine compartment.

▼ CAUTION

Never obstruct the ducts.

43) Bow/Stern Eyelets

Eyelets can be used for mooring, towing and as a tie-down point during transportation.

44) Jet Pump Nozzles

They are turned from side to side via operator input from the steering wheel. This provides jet boat directional control when engines are running.

45) Reverse Gates

Moves from upward to downward position to get Forward, Neutral, Reverse and inversely. These positions are obtained by moving shift lever.

▼ CAUTION

Do not attempt to reverse while at speed.

46) Retractable Ladder

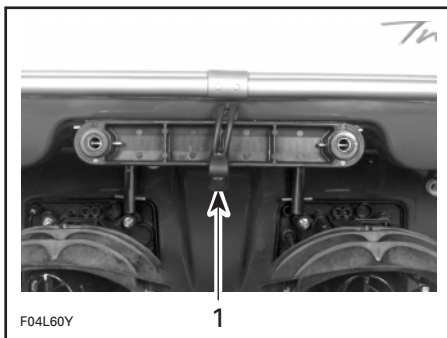
Located under swim platform.

A convenient ladder to help reboarding the jet boat.

◆ WARNING

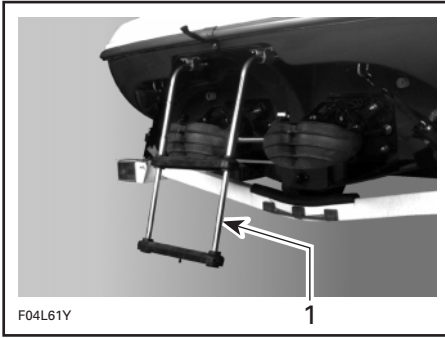
Engines must be OFF when using the ladder.

Pull latch to unlock the ladder.



1. Latch

Slide ladder toward rear until it is fully extended, then push down.



1. Ladder fully extended

To store ladder, lift horizontally completely then slide toward front.

▼ CAUTION

Do not leave ladder hanging when operating the boat. Always lock the ladder using the latch.

48) Weedless System Lever

See below for illustrations. Stop engines prior to using the lever. Turn the lever counterclockwise and pull to lower the water intake grates. This should clean the water intake grates from any weeds. Completely push lever when finished. Refer to SPECIAL PROCEDURE section for details.

Before launching or loading the boat from the trailer, ensure that the weedless system lever, is completely pushed in.

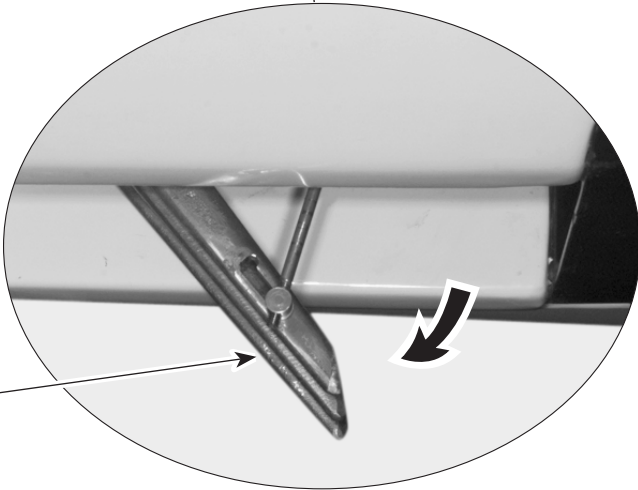


CAUTION

Loading/launching the boat on/ from the trailer or operating the jet boat with the water intake grate in lower position will cause damage to the weedless system and possibly to the fiberglass hull.

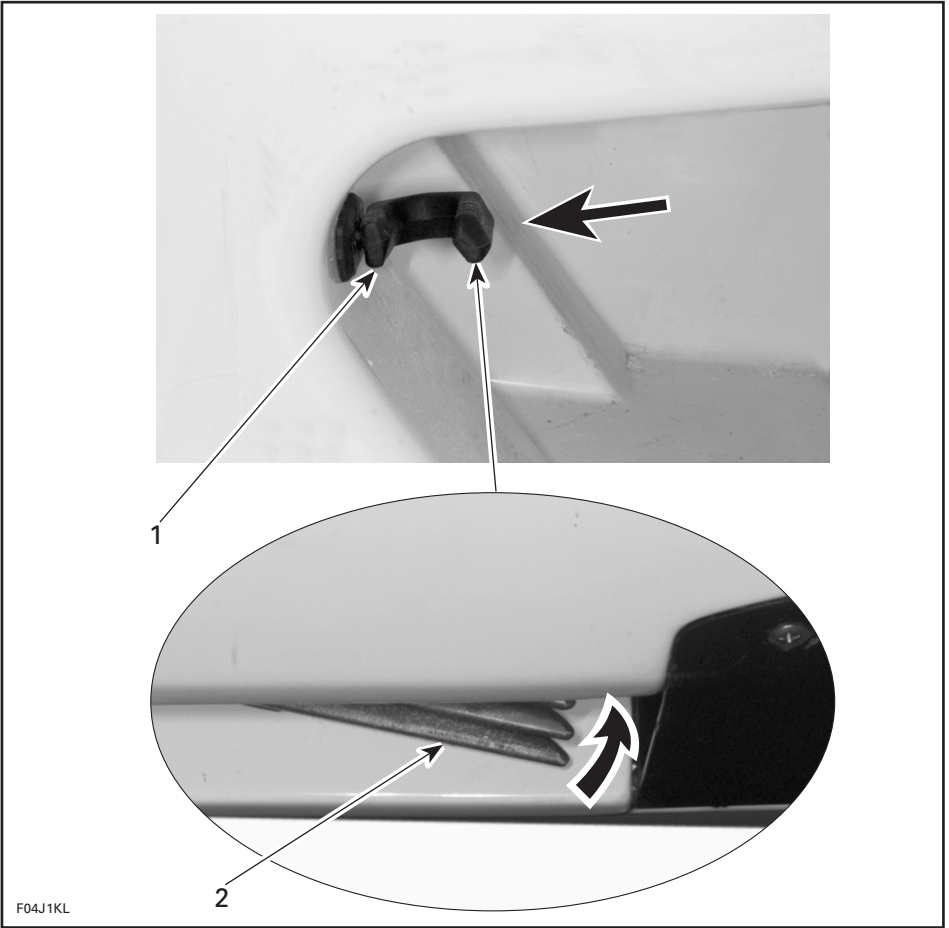
47) Scupper Valve

This is where water from deck drains out. Keep clean to avoid clogging.



F04J1JL

1. Turn lever counterclockwise then pull
2. Water intake grate lowered to release weeds



1. Push lever
2. Position of water intake grate while riding on water and loading/launching on/from trailer

49) Fuel Tank Vent

It allows fuel vapors and pressure to escape from fuel tank.



WARNING

Never use a lit match or open flame close to vent. Follow the Fueling Procedure instructions in the FUEL AND LUBRICATION section.

50) Bimini Top (if so equipped)

The bimini top is convenient for protection against weather inclemency or sunshine.

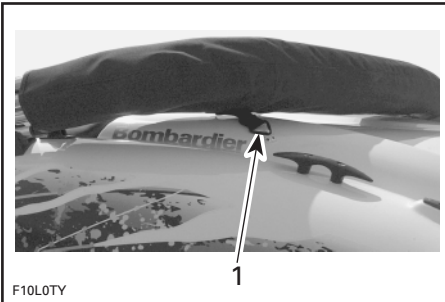


WARNING

- Avoid body contact with Bimini top.
- Operate this craft at a very low cruising speed with Bimini top installed.
- Hold down straps are under tension.
- For daytime use only to insure visibility of navigation lights.

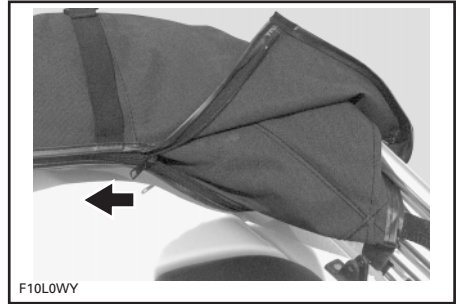
Opening Bimini Top

Unhook retaining straps of Bimini top cover from body.



1. Unhook retaining strap

Unzip cover and remove. Store cover in a storage area.



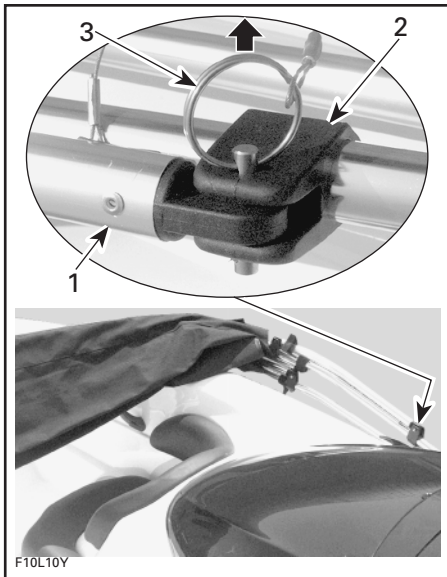
Pull mirror inside so that it does not exceed the side of the boat. This will prevent the Bimini top to hit the mirror while pivoting.

Pivot Bimini top forward and lay down.



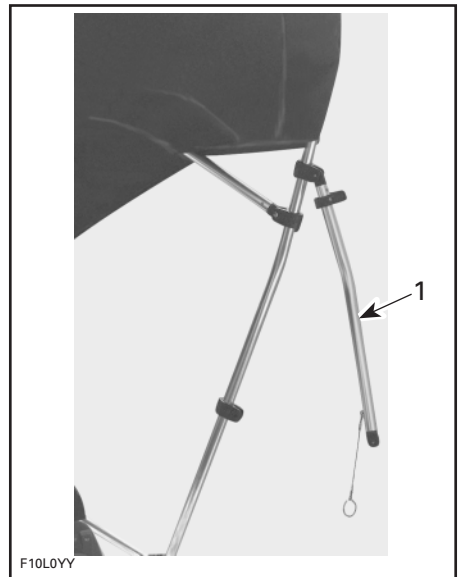
1. Bimini top here

Detach struts from structural tube support by pulling the ring of the locking pin.



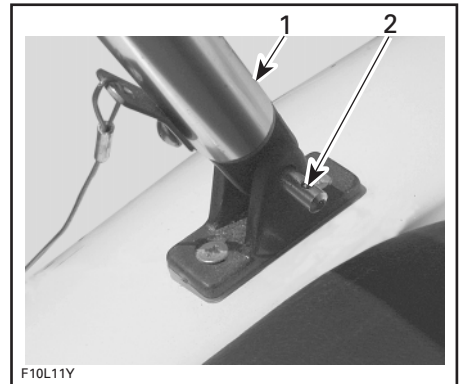
1. Strut
2. Structural tube support
3. Pull ring

Lift the topmost tube to open Bimini top then bring struts toward rear.



1. Bring strut toward rear

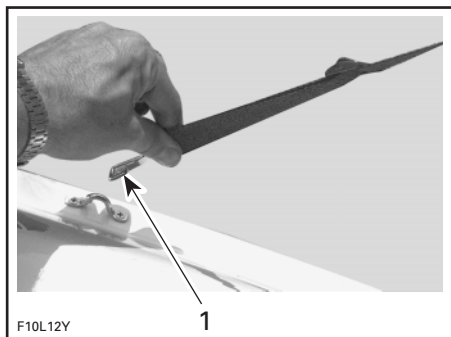
Secure struts to body. Fully push locking pin until its small ball passes through the bracket hole.



1. Strut
2. Ball of locking pin out of bracket

Hook the front straps to the body. Adjust if necessary to obtain a slight tension in the strap.

Readjust mirror properly.



1. Hook strap to body

Closing/Storing Bimini Top

NOTE: If canvas of Bimini top has been splashed by salt water, rinse canvas with cold fresh water. At any time when canvas is wet, let dry prior to storing in cover.

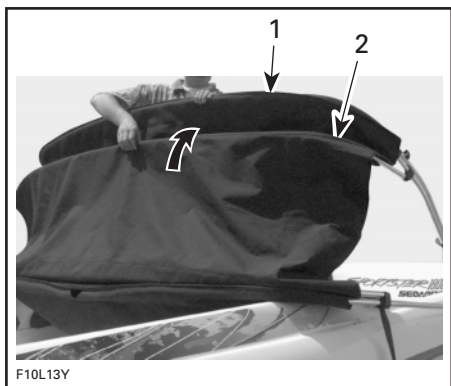
Pull mirror inside so that it does not exceed the side of the boat.

Unhook front straps.

Detach struts from body while holding strut so that top does not fall.

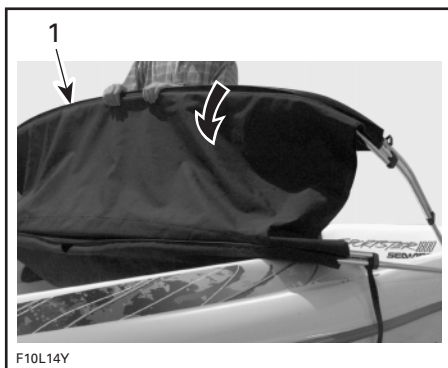
Gently pivot Bimini top toward front.

Before laying down the Bimini top, retain the top tube then pull the second tube toward the top tube.

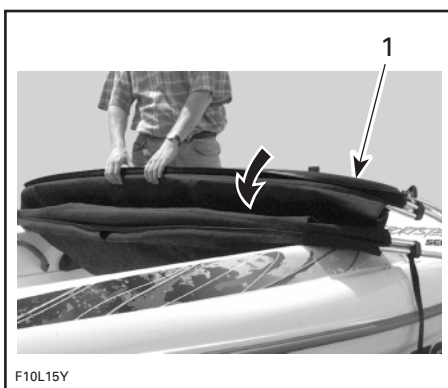


1. Retain top tube
2. Pull the second tube toward the top tube

Hold both tubes together and lower over the other ones.



1. Hold both tubes together and lower



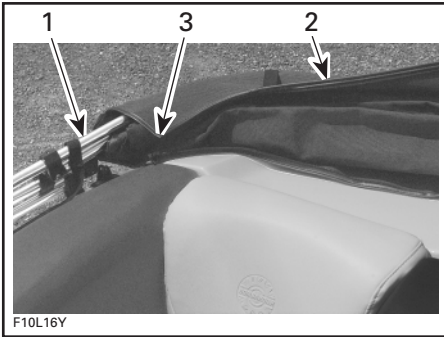
1. Lower both tubes together over the other ones

Secure struts to structural tubes.

Lay down Bimini top cover on rear storage compartment cover approximately at the location where the Bimini top will rest.

Position the cover so that the zipper will be on the inner side of the Bimini top and the starting end of the zipper will be on starboard side of boat.

Pivot Bimini top rearward and lay down on rear storage compartment cover.



1. Bimini top laid down on rear storage compartment cover
2. Inner side of zipper
3. Start of zipper here

Place Bimini top straps inside cover and gently zip while packing canvas inside cover.

Hook retaining straps of cover to body. Readjust mirror properly.

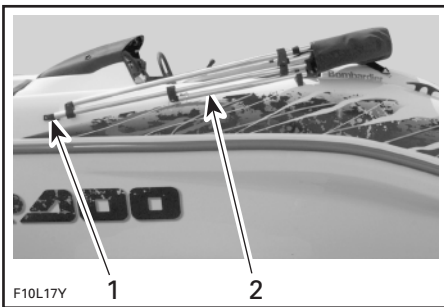
Removing Bimini Top from Boat

If it becomes necessary to remove Bimini top from boat, proceed as follows.

Ensure Bimini top is laid down on rear storage compartment cover.

Unhook retaining straps.

Remove fasteners at pivot point.



1. Remove fastener at pivot point
2. Strut below structural tubes

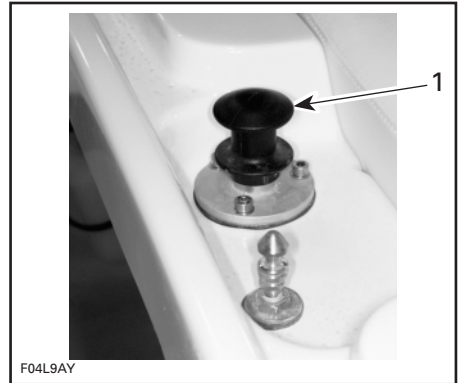
With the assistance of someone, carefully lift Bimini top and withdraw toward rear.

Reinstall fasteners to boat to prevent losing them.

Installation is the reverse procedure however pay attention to position Bimini top so that struts are below structural tubes.

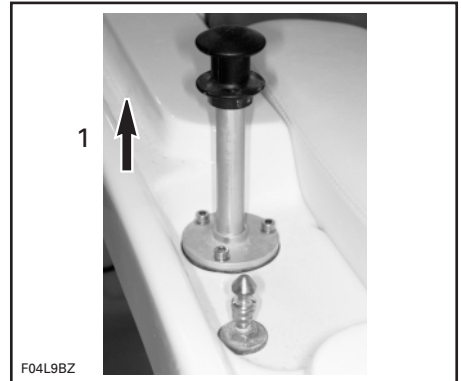
51) Ski Post

Pull up the post to allow hooking a ski rope.



1. Ski post position when not used

Push down when finished.



1. Lift ski post to use

Always have one person other than the operator as an observer.

▼ CAUTION

Never use the ski post to tow other boats.

◆ WARNING

Use caution with skier in tow as tow rope may backlash into cockpit when released. Never perform a sharp turn when towing a skier or any toy.

Fuses

The electrical system is protected with fuses. Refer to MAINTENANCE section for details.

Main Disconnect Switch

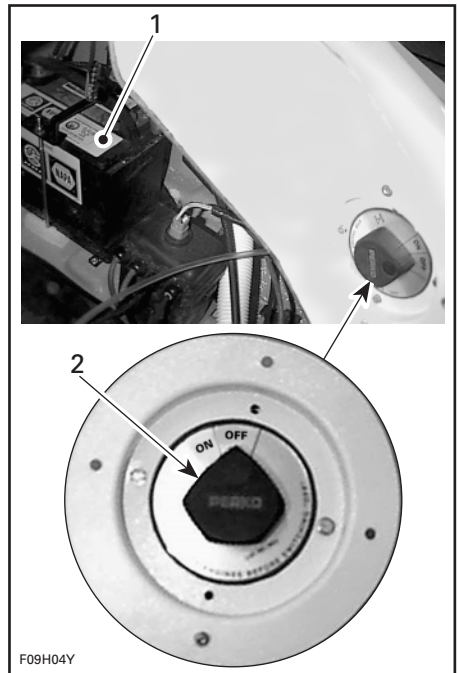
The switch is located in the engine compartment, close to battery on port side. It is provided to allow a complete cut-out of the electrical system.

When in OFF position, ALL electrical equipments and electronics will not be powered and not working.

It must be in the ON position to allow the use of electrical components and to start the engines.

▼ CAUTION

Stop engines before switching OFF.



TYPICAL

1. Battery
2. Main disconnect switch

It is recommended to set in the OFF position whenever performing maintenance in the engine compartment, on the electrical system, for transportation and for short term storage on the trailer.

▼ CAUTION

Bear in mind that when the switch is turned OFF while boat is moored, the bilge pump will not start automatically if water comes up in the bilge.

FUEL AND LUBRICATION

Fueling Procedure

 **WARNING**

Follow these safe boating fueling instructions explicitly.

Turn off engines.

Tie jet boat securely to the fueling pier.

Use bilge blower for a minimum of 5 minutes.

Turn off bilge air blower, bilge pump and any other devices that could produce a spark.

Close rear storage cover to prevent fumes from entering the engine compartment.

Disembark all people.

Do not smoke or allow open flames in the vicinity.

Have a fire extinguisher close at hand.

Do not insert the spout too far in filler neck.

Pour fuel slowly so that air can escape from the reservoir and prevent fuel flowback.

Fill fuel tank to bottom of filler neck. Do not overfill.

Fully tighten fuel tank cap and wipe off any fuel spillage.

Before starting, ensure there are no fuel fumes in the engine compartment, ventilate using the blower as necessary.

Recommended Fuel

Use regular unleaded gasoline with 87 octane (Ron + Mon/2) specification.

NOTE: Look on service station pump sticker for octane specification. Do not mix oil with fuel except at engine break-in. Refer to BREAK-IN PERIOD section. Always check oil injection reservoir level when refueling.

The use of good quality fuel is necessary. A well known fuel brand is highly recommended.

 **CAUTION**

The use of a poor quality fuel can result in jet boat performance deterioration and damage to fuel system and engine components. Never experiment with other fuels or fuel ratios. Never use fuel containing alcohol, methanol or similar products including naphtha.

Recommended Oil

Use only BOMBARDIER-ROTAX injection oil.

The oil is available from authorized dealers. It is a blend of specially selected base oils and additives which provides outstanding lubrication, engine cleanliness and minimum spark plug fouling.

NOTE: High quality low ash API TC injection oil for 2-cycle engines can be used if BOMBARDIER-ROTAX injection oil is not available.

 **CAUTION**

Never use 4-cycle petroleum or synthetic motor oil and never mix these with outboard motor oil. Do not use NMMA TC-W, TC-W2 or TC-W3 outboard motor oils or other ashless type 2-cycle oil. Avoid mixing different brands of API TC oil as resulting chemical reaction may cause severe engine damage.

Oil Injection System

A sufficient amount of injection oil should be maintained in the reservoir. To check, open rear storage cover then lift and hold the tray. Look oil level through the translucent reservoir.

The use of a funnel is recommended to pour the oil into the reservoir. Stop filling as soon as oil appears at approximately 13 mm (1/2 in) from top of reservoir. Do not overfill. Wipe off any oil spillage.

NOTE: Always carry a spare 1 liter of BOMBARDIER-ROTAX injection oil.



CAUTION

Always maintain a sufficient amount of injection oil in the oil reservoir. Check and refill every time you refuel. Do not overfill. If the engines run out of oil, severe engine damage will occur. If the oil reservoir is allowed to almost empty, air can enter into the system and it must be bled. Immediately refer to an authorized dealer to have the oil injection system inspected.

BREAK-IN PERIOD

Engines

With BOMBARDIER-ROTAX® jet boat engines, a **break-in period is required** before operating the engine at full throttle. We recommend about 10 operating hours.

During this period, **maximum throttle should not exceed 3/4**, however, brief full acceleration and speed variations contribute to a good break-in. Continued wide open throttle accelerations, prolonged cruising speeds and overloading the engines are detrimental during the break-in period.

To assure additional protection during the initial break-in period, it is recommended to **add 2 liters (1/2 gal) of BOMBARDIER-ROTAX injection oil in the fuel tank. The oil should be added for the first full fuel tank filling only.**

To add injection oil in the fuel tank, proceed as follows:

Fill fuel tank with approximately 50 liters (12 gal) of gasoline; then, add the required quantity of injection oil in the fuel tank.

Continue to fill until tank is full. Do not overfill.

NOTE: It is important to proceed in this order to allow a proper mixing of the oil in the gasoline. If oil is added first in an empty fuel tank, fuel lines will be filled up with injection oil leading in a no start condition of the engines.



CAUTION

Remove and clean spark plugs after engine break-in.

10-Hour Inspection

It is highly recommended that after the first 10 hours of operation, the jet boat be checked by an authorized dealer. This inspection will also provide the opportunity to discuss any unanswered questions you may have encountered during the first hours of operation.

The 10-hour inspection is at the expense of the jet boat owner.

10-HOUR INSPECTION CHECK LIST	✓
Engine ignition timing if required	
Spark plug inspection, cleaning and adjustment	
Fuel system lines and fasteners/pressurization test	
Carburetor adjustment including throttle/choke cables if required	
Oil lines and filter	
Oil injection pump adjustment if required	
Engine support and engine rubber mounts	
Muffler, battery and reservoir fastening devices	
Exhaust system hose clamps torque	
Carburetor flange screws and flame arrester support	
Steering system and low-speed steering control system	
Steering cable adjustment if required	
Shifter cable adjustment if required	
Ensure that throttle levers keep the selected position. Adjust levers friction as necessary	
Hose condition and fasteners	
Bilge pump and bilge blower	
DESS system and start/stop buttons operation	
Monitoring beeper	
Electrical connections (starter, battery, etc.)	
Lighting system inspection	
Impeller shaft reservoir oil replacement	
Torque jet pump retaining nuts	
Impeller condition, impeller/wear ring clearance	
PTO flywheel lubrication	
Water intake grates/weedless system/hull condition	
Inspection of fasteners for tightness	
Inspect/clean engine drain tube	

NOTE: Inspection applies for both engine systems where applicable.

We recommend that this inspection chart be signed by an authorized dealer.

Date of 10-hour inspection

Authorized dealer signature

Dealer code

PRE-OPERATION CHECKS

Some of the following items may not have been previously covered in this guide, however they will be described in the MAINTENANCE or SPECIAL PROCEDURES section. Please refer to these portions to have more detailed information.

Prior to operating the jet boat, verify the following:



WARNING

Except otherwise specified, safety lanyard must always be removed from DESS post prior to verify any of the following.

SUMMARY

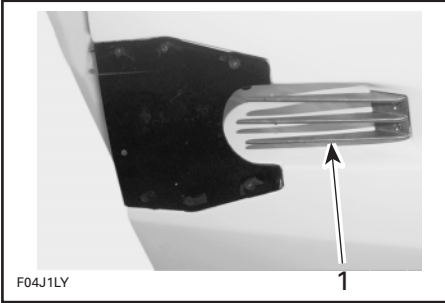
ITEM	OPERATION	✓
Hull	Inspect.	
Jet pump water intakes	Inspect/clean.	
Bilge	Drain. Ensure plug is secured.	
Battery	Inspect tightness of cables and retaining straps.	
Main disconnect switch	Ensure it is in the ON position.	
Navigation lights	Check operation.	
Fuel/oil reservoirs	Refill.	
Engine compartment	Verify fuel/oil system components.	
Fire extinguisher	Inspect condition/mounting.	
Steering	Check operation.	
Throttle/shifter system	Check operation.	
Weedless system	Ensure it is not activated	
Bilge blower and bilge pump	Check operation.	
Safety lanyard/engine start/stop buttons	Check operation.	
Mandatory safety boating equipment	Check operation.	
Storage compartment covers	Ensure they are closed and latched.	
Bimini top (if so equipped)	Ensure it is properly attached to body if not in use or properly secured (struts and straps) if in use.	

Hull

Inspect hull for cracks or damage.

Jet Pump Water Intakes

Remove weeds, shells, debris or anything else that could restrict the flow of water and damage the cooling system or propulsion units. Clean as necessary. If any obstruction can not be removed, refer to an authorized dealer for servicing.



TYPICAL

1. *Inspect this area*

Inspect leading edges of the impellers, if they have nicks or bends, performance will be greatly reduced.

Bilge

Should water be present in the bilge, turn on pump switch to completely empty the bilge.

▼ CAUTION

Do not run the pump dry for a prolonged period of time.

Battery

◆ WARNING

Verify tightness of battery cables.

Fuel/Oil Reservoirs

With the jet boat horizontal, fill the fuel tank.

Check the oil level and refill reservoir as necessary.

Engine Compartment

Check condition of fuel/oil system components.

◆ WARNING

Should any leak or gasoline odor be present, do not start the engines. Immediately refer to an authorized dealer.

Fire Extinguisher

Make sure it is full, in good condition and well secured.

Steering System

Assisted by another person, check steering operation for free movement. When the steering is centered, the jet pump nozzles should be in the straight ahead position. Ensure the jet pump nozzles pivot easily while steering is turned.

Throttle System

Check throttle levers once for free and smooth operation.

NOTE: Do not activate throttle levers unnecessarily. Carburetors are equipped with fuel accelerator pumps. This (these) pumps deliver fuel to the engines each time throttle levers are moved forward.

Shifter System

Check reverse gate operation for free movement. With shift lever in forward position, the gates must be in upward position. With the shift lever in neutral position, gates must be in middle position. With shift lever in reverse position, gates must be in downward position.

Weedless System

Ensure lever is fully pushed in.



CAUTION

Operating the jet boat with the water intake grate in lower position will cause damage to the weedless system.

Safety Lanyard and Engine Start/Stop Buttons

Ensure that switches operate properly. Start engines and stop them using each switch individually.



WARNING

If engine does not shut-off when pushing engine start/stop button or by disconnecting the safety lanyard, stop the engine by applying the choke. Do not operate the jet boat further, see an authorized dealer. Only start the jet boat once all items have been checked and operate properly.

Storage Compartment Covers

Ensure they are closed and latched.

Bimini Top (if so equipped)

Ensure it is properly attached to body if not in use or properly secured (struts and straps) if in use.

OPERATING INSTRUCTIONS



WARNING

Always perform PRE-OPERATION CHECKS before operating the jet boat. Become thoroughly familiar with all controls and the function of each. Should any control or instruction be not fully understood, refer to an authorized dealer.

Principle of Operation

Propulsion

Each engine is directly coupled to a drive shaft which, in turn, rotates an impeller. This impeller is accurately adjusted in a housing where the water is drawn up from underneath the jet boat. Then, the water flows through the impeller to a venturi. The venturi accelerates the water and produces thrust to move the jet boat. Pushing the throttle levers forward increase engine speed and therefore jet boat speed.

With shift lever pushed forward, the jet boat moves forward. In pulled back position, the jet boat moves backward. The middle position is neutral and the jet boat is at the minimum thrust for most conditions. Neutral and reverse are achieved by means of a gate, which is installed on jet pump venturi housing. This gate directs the water flow to obtain the desired direction.



WARNING

Whenever an engine is to be started, the operator and passengers should always be sitting in the jet boat with the shifter lever in neutral position and throttle levers in idle position.

Turning

Turning the steering pivots the jet pump nozzles which control the jet boat direction. Turning the steering clockwise will turn the jet boat to the right and inversely.

Above idle speed, the throttles must be applied to turn the jet boat.



WARNING

With jet propulsion systems, less directional control when the throttles are pulled back. Throttles must be engaged and steering turned to change the direction of the jet boat at speed. Steering efficiency will differ depending on the number of passengers, load and water conditions.

The more the throttles are applied while turning the steering, the more responsive the boat will be.

The jet boat may behave differently when carrying passengers. The passengers should grip the grab handles. Reduce speed and avoid sharp turns. Avoid excessive speeds and choppy water conditions especially when carrying passengers.

Turning when Using the Reverse

The jet boat behave differently when using the reverse. The steering response is the opposite of forward operation. So, turning the steering clockwise will turn the jet boat to the left and inversely. Use throttle moderately. Too much RPM will create water turbulence and reduce reverse efficiency. At first outing, carefully practice this maneuver away from anything you might collide.

Low-Speed Steering Control System

Whenever the throttle lever is in **IDLE position AND** the steering wheel is approaching the end of its rotation, the engine speed will be slightly accelerated to increase the jet pump thrust and thus improving the steering control for low-speed navigation or when approaching/leaving a dock. For docking tips, refer to **Stopping/Docking** section below.

NOTE: On twin-engine boats, each engine must be running so that the low-speed control properly works.

◆ WARNING

Become familiar with this feature during your first ride.

Boarding from a Dock or in Shallow Water

As with any boat, getting aboard should be done carefully and engines must not be running.

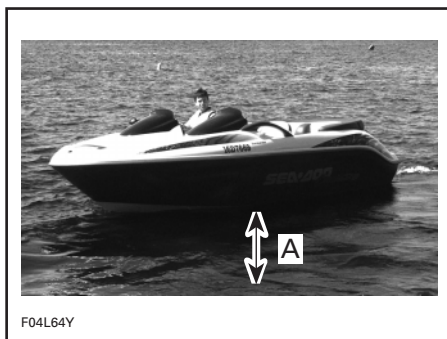
When boarding from a dock, slowly place one foot on the jet boat deck nearest to the dock and then move the other foot inside the boat. Push the jet boat away from the dock.



F04L63Y

▼ CAUTION

Although the boat requires only 30 cm (1 ft) of water to float, the engine should be started with at least 90 cm (3 ft) of water below the hull to protect the propulsion system.



F04L64Y

A. 90 cm (3 ft)

In shallow water, board the jet boat either from the side or the swim platform.

Starting the Engines



WARNING

Whenever an engine is to be started, the operator and passengers should always be sitting in the jet boat with the shifter lever in neutral position and throttle levers in idle position.

Turn the fuel valves to ON position.

Always activate bilge blower 5 minutes minimum before starting the engine. The bilge blower will ventilate the bilge.



WARNING

Bilge blower must be turned off during jet boat operation.

Before unloading the jet boat from the trailer, engines can be started for about 10 seconds to verify proper operation. Remove stern (rear) straps before starting the engines.



WARNING

Do not touch electrical parts or jet pump area when engines are running.

Attach the safety lanyard to your PFD or to your wrist using an appropriate wrist-band and snap the cap to the DESS post.

NOTE: If you hear some beeper signals other than 2 short beeps, it indicates a particular condition that must be corrected. Refer to the TROUBLE-SHOOTING section for the meaning of the coded signal.

Operator and passengers should be sitting in the jet boat seats prior to starting the engines.

Grip steering wheel with your right hand and place both feet on the floorboard. Turn off bilge blower.

Start one engine at a time. Check tachometer to monitor engine.

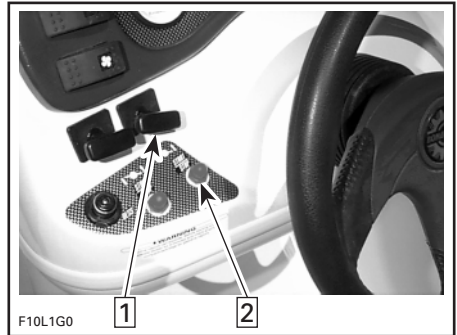
Cold Engine

Fully pull back throttle levers to idle position.

First Engine

Fully pull one choke lever and depress the starting button just below it.

NOTE: Either engine can be started first.



TYPICAL — CHALLENGER 1800 SHOWN

Step **1** : Fully pull and hold choke lever

Step **2** : Press the start/stop button

Immediately after engine is started, release starting button and release choke lever half way.

NOTE: Do not push the throttle lever forward while starting a cold engine.



CAUTION

To avoid starter motor overheating, the cranking period should not exceed 5-10 seconds and a rest period of 30 seconds should be observed between cranking cycles to let the starter cool down and its mechanism disengage.

A few seconds after, completely release the choke lever and if necessary, slightly push throttle forward to keep engine running.

NOTE: In an emergency, the jet boat may be operated with one engine. Refer to SPECIAL PROCEDURE section.

Second Engine

Start the second engine following the same procedure but use the other choke lever, start/stop button and throttle lever. Always monitor engines with tachometers.

Leaving the Shore

With throttle levers at idle, move shifter to forward.

Slowly accelerate to reach deeper water. Do not apply full throttle until the engines are warm.

◆ WARNING

In shallow water, shells, sand, pebbles or other objects could be drawn up by the jet pumps and be thrown rearward.

Warm Engines

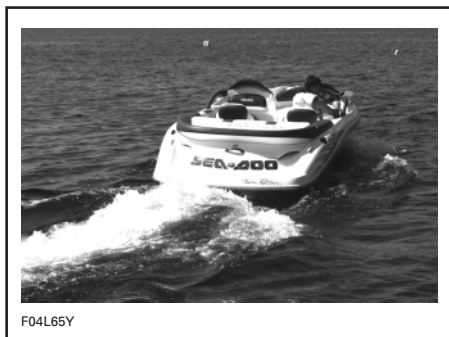
The same procedure as a cold engine applies, except the choke does not need to be applied and throttle lever has to be slightly pushed forward to approximately 1/4.

Obstacles

Verify that the path ahead of the jet boat is clear of other craft or obstacles. Avoid riding close to swimmers. Check local boating laws for safe operational areas.

◆ WARNING

Collision with objects, other boaters, etc., is the most common cause of accidents resulting in injury. Always keep a safe distance from other water users.



Boarding in Deep Water

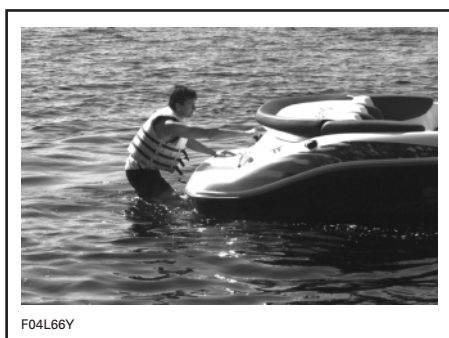
Swim to the rear of the jet boat.

▼ CAUTION

Engines must not be running while boarding. Never use propulsion components as a supporting point to board the jet boat.

Unlatch and slide the ladder toward rear.

Use both steps to reach the grab handle and pull yourself upward to place one of your foot on the swim platform.





F04L67Y



F04L68Y

To store ladder, lift horizontally completely then slide toward front.



CAUTION

Do not leave ladder hanging when operating the boat. Always lock the ladder using the latch.

Rough Water or Poor Visibility Operation



WARNING

Do not start engines until all passengers are properly seated.

Avoid operation in these conditions. If you must do so, proceed with caution and prudence using minimum speed. Turn on navigation lights if necessary.

Crossing Waves

Substantially reduce speed and cross the wave head on to assist steering.



WARNING

When crossing waves, operator and passengers should brace themselves. Wave or wake jumping can be dangerous and illegal.

Stopping/Docking

The jet boat is slowed by water drag. The stopping distance will vary depending on weight, speed, water surface condition, presence and direction of wind and current.

The operator should familiarize himself with the stopping distance under different conditions.

Reduce speed, reduce RPM to idle and shift to neutral, reverse or forward as required when approaching a dock then shut off the engines just before coming alongside.

Turning when Using the Reverse

The jet boat behave differently when using the reverse. The steering response is the opposite of forward operation. So, turning the steering clockwise will turn the jet boat to the left and inversely. At first outing, carefully practice this maneuver away from anything you might collide.

Low-Speed Steering Control System

Reduce speed, reduce RPM to IDLE and use the low-speed steering control feature as described previously. For more details, refer to **Low-Speed Steering Control System** in **Turning** section above.

You may change the position of the shifter to Forward, Neutral and Reverse to perform different maneuvers.

With some practice, you can use these maneuvers to approach the dock from the side of the boat to dock laterally. The neutral is effective for that.

◆ WARNING

Become familiar with this feature during your first ride.

When close to the dock, shut off the engines.

Beaching

◆ WARNING

With jet propulsion systems, less directional control is available when the throttles are closed and not available when engines are shut off.

▼ CAUTION

It is not recommended to run the jet boat to the beach.

Proceed the same way as for docking except for the following:

Come slowly to the beach and shut off the engines using the safety lanyard when reaching about 90 cm (3 ft) of water under the hull, then pull the boat to the beach. Ensure that all accessories are OFF.



F04L64Y

A. 90 cm (3 ft) of water under the hull

◆ WARNING

In shallow water, shells, sand, pebbles or other objects could be drawn up by the jet pumps and be thrown rearward.

As necessary, the cooling system of both engines should be flushed before restarting, to remove sand or shell accumulation which may clog the water passages. Refer to POST-OPERATION CARE and look for Cooling System Flushing.

Shutting Off the Engines

To keep jet boat directional control, the engines should be running until the jet boat is stopped assuming at least 90 cm (3 ft) of water is present underneath the hull.

To shut off the engines, completely pull back throttle levers then remove safety lanyard or press the engine start/stop buttons.

Always remove safety lanyard from jet boat.

◆ WARNING

Should the engines be shut off, jet boat directional control is not available. Never leave the safety lanyard on an unattended jet boat.

POST-OPERATION CARE

General Care

Should any water be present in the bilge after use of bilge pump, unscrew the drain plug and tilt the jet boat to the rear in order to allow water to flow out.

Wipe up any remaining liquid in the engine compartment (bilge, engines, etc.) with clean dry rags. This is particularly important in salt water use.

Remove the jet boat from the water every day to prevent marine organisms growth.

Additional Care for Foul Water or Salt Water

When the jet boat is operated in foul water and particularly in salt water, additional care must be taken to protect the jet boat and its components. Rinse trailer and boat's hull/bilge area with fresh water.

▼ CAUTION

Failure to perform proper care such as: rinsing, cooling system flushing and anticorrosion treatment, when used in salt water, will result in damage to the jet boat and its components.

If canvas of Bimini top (if so equipped) has been splashed by salt water, rinse canvas with cold fresh water. At any time when canvas is wet, let dry prior to storing in cover.

Cooling System Flushing and Engine Internal Lubrication

Flushing the cooling system with fresh water is essential to neutralize corroding effects of salt or other chemical products present in water. It will help to remove sand, salt, shells or other particles in water jackets (engine, exhaust manifold, tuned pipe) and/or hoses.

Engine lubrication and flushing should be performed when the jet boat is not expected to be used further the same day or when the jet boat is stored for any extended time.

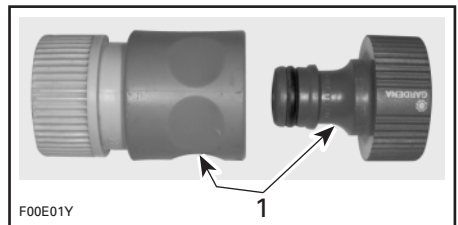
Proceed as follows for both engines:

◆ WARNING

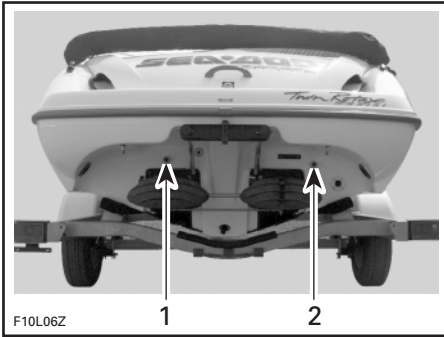
Perform this operation in a well ventilated area.

1. Clean jet pump by spraying water in its inlet and outlet and then spray a soapy solution.
2. Open rear storage compartment and remove storage tray.
3. Connect a garden hose directly to the flushing connector. To prevent water leak, ensure the rubber washer is in the boat's connector. **Do not open the water tap yet.**

NOTE: A quick connect hose adapter can be fixed to ease garden hose installation to boat's connector.



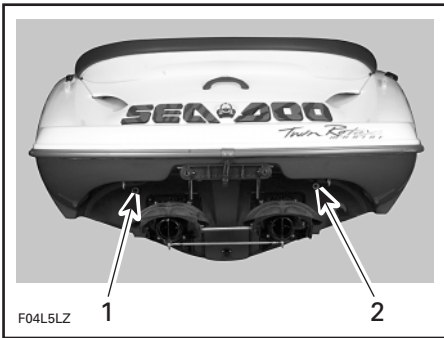
1. Quick connect hose adapter



F10L06Z

SPORTSTER 1800

1. Flushing connector for port engine
2. Flushing connector for starboard engine



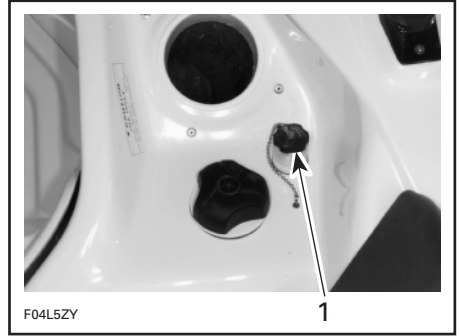
F04L5LZ

CHALLENGER 1800

1. Flushing connector for port engine
2. Flushing connector for starboard engine

NOTE: Either of the flushing connectors can be used. The ones on the transom, or the ones in the engine compartment area.

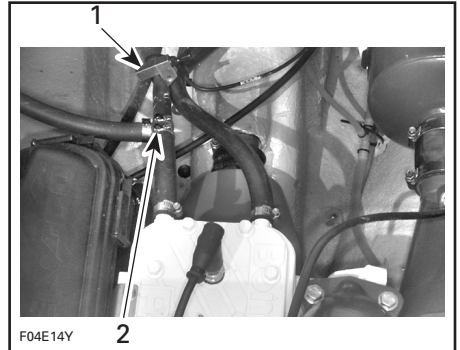
Use of the Upper Flushing Connectors



F04L5ZY

1. Flushing connector with its cap

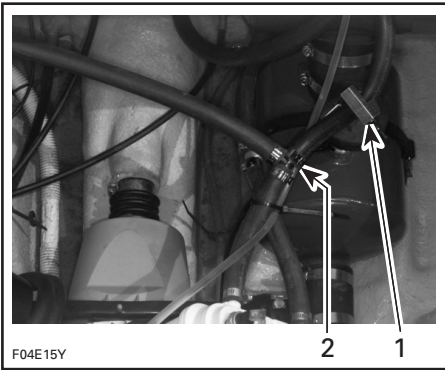
When using the upper connector, it is necessary to prevent water going out directly by the connector on the transom. Install a hose pincher (not supplied) (P/N 529 030 400) on the hose between the transom and the T-fitting as shown.



F04E14Y

SPORTSTER 1800

1. T-fitting
2. Hose pincher right after the T-fitting



CHALLENGER 1800

1. T-fitting
2. Hose pincher right after the T-fitting

4. Start the engine then immediately open the water tap.



WARNING

Do not touch any electrical parts or jet pump area when engine is running.



CAUTION

Never flush a hot engine. Always start the engine before opening the water tap. Otherwise, water will back flow through the tuned pipe into the engine and may cause damage to internal parts. Open water tap immediately after engine is started to prevent overheating.

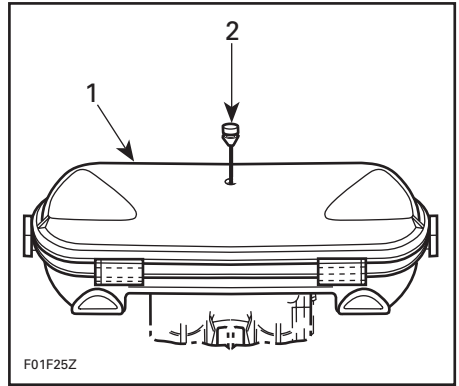
5. Run the engine about 3 minutes at a fast idle around 3500 RPM.



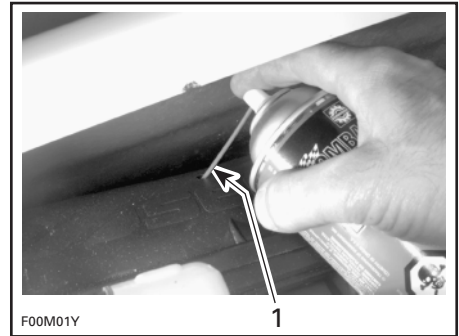
CAUTION

Never run engine longer than 5 minutes. Drive line seal has no cooling when jet boat is out of water.

6. Remove plug from air intake silencer cover.



1. Air intake silencer cover
2. Pull plug



TYPICAL

1. Spray BOMBARDIER LUBE here
7. Spray BOMBARDIER LUBE lubricant through hole keeping engine at fast idle during one minute.
8. Close the water tap then stop the engine.



CAUTION

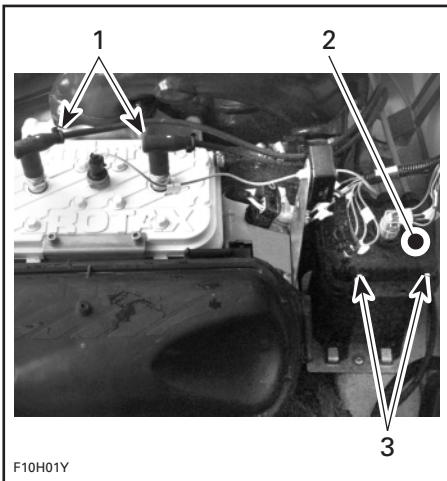
Always close the water tap before stopping the engine.

NOTE: For storage, engine should be run out of fuel while lubricating by turning the fuel valve to OFF position.

▼ CAUTION

When engine begins to run irregularly because of fuel starvation, immediately stop water flow before engine dies.

9. Disconnect the garden hose. Ensure the rubber washer remains in boat's connector.
10. Remove cables from spark plugs.
11. Connect spark plug cables on the grounding device of the electrical box.



TYPICAL — SPORTSTER 1800 SHOWN

1. Disconnect cables from spark plugs
 2. Electrical box
 3. Connect spark plug cables on grounding device
12. Remove both spark plugs and spray BOMBARDIER LUBE lubricant into each cylinder.

13. Crank the engine a few turns to distribute the oil on cylinder wall.
14. Apply anti-seize lubricant on spark plug threads then reinstall them.
15. Reinstall plug on air intake silencer cover.
16. Properly reconnect spark plug cables to spark plugs.
17. Wipe up any residual water from the engine.

NOTE: Repeat the same procedure for the other engine.

Anticorrosion Treatment

To prevent corrosion, spray a corrosion inhibitor (salt water resistant) such as BOMBARDIER LUBE lubricant or equivalent over metallic components in engine compartment.

NOTE: Engine fogging should be done with BOMBARDIER LUBE lubricant whenever the jet boat is to be stored for few days or a long period.

Apply dielectric grease (salt water resistant) on battery posts and cable connectors.

▼ CAUTION

Never leave rags or tools in the engine compartment or in the bilge.

SPECIAL PROCEDURE

Engine Overheating

If the monitoring beeper continuously sounds, **stop engines immediately.**

Perform the **Jet Pump Water Intake and Impeller Cleaning** procedure in this section.

Flush cooling system, refer to POST OPERATION CARE.

If engines still overheat, refer to an authorized dealer for servicing.

Jet Pump Water Intake and Impeller Cleaning

Weeds, shells or debris can get caught on the intake grates, drive shafts and/or impellers. A clogged water intake may cause troubles such as:

1. **Cavitation:** Engine speed is high but jet boat moves slowly due to reduced jet thrust; jet pump components may be damaged.
2. **Overheating:** Since the jet pump operation controls the flow of water to cool the engine, a clogged intake will cause the engine to overheat and damage engine internal components.

The clogged area can be cleaned as follows:

In-water cleaning: Pull safety lanyard to stop engines. Let the boat stop by itself then pull the weedless system lever (refer to POST OPERATION CARE). This will lower the water intake grates. Wait a while to allow weeds or other debris to escape from grates. Thereafter, fully push weedless system lever and start engines. It may be necessary to repeat the procedure.



CAUTION

Operating the jet boat with the water intake grate in lower position will cause damage to the weedless system.

In severe conditions if the above method does not work, the following can be performed:

- With engines running, put shift lever in reverse position and vary throttles quickly several times.
- Retry boat.

Most of the time, debris will escape from the propulsion systems.

Out of water cleaning: If the systems are still clogged, shut off the engines by removing the safety lanyard.



WARNING

Always remove safety lanyard from post to prevent accidental engine starting before cleaning the jet pump area.

Pull the weedless system lever to lower the water intake grates. From underneath boat, manually clean each water intake area. If the systems are still clogged, refer to an authorized dealer for servicing.

If the jet pumps can not be easily cleared of debris, the jet boat should be returned to the trailer or to a boat lift.

▼ CAUTION

Avoid jet boat operation in weed-filled areas. If unavoidable, vary jet boat speed. Weeds tend to entangle more at steady and slow speeds. Inspect water intake grates for damage. Refer to an authorized dealer for repair as necessary.

Capsized Boat

The jet boat is designed so that it should not turn over easily due to its long and wide dimensions. If the jet boat ever capsizes, remember that it will continue to float, and it is usually best to remain with it, you will be more easily located by a search plane, helicopter or boat.

◆ WARNING

Operator and passengers should always wear approved personal flotation devices.

Submerged Boat

▼ CAUTION

DO NOT attempt to restart engines.

If the jet boat has been submerged and engines are water-flooded, it must be serviced by an authorized dealer immediately.

▼ CAUTION

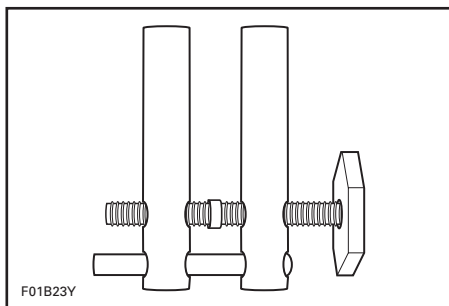
See an authorized dealer as soon as possible to service the engines.

Towing the Boat in Water

In the event the jet boat becomes inoperative, tie a tow rope to the bow (front) eyelet. However, special precautions should be taken.

The maximum recommended towing speed is 24 km/h (15 MPH).

When towing your boat in water, pinch the water supply hose from the jet pump housing to the engine with a hose pincher (not supplied) (P/N 529 030 400) shown in the following illustration.



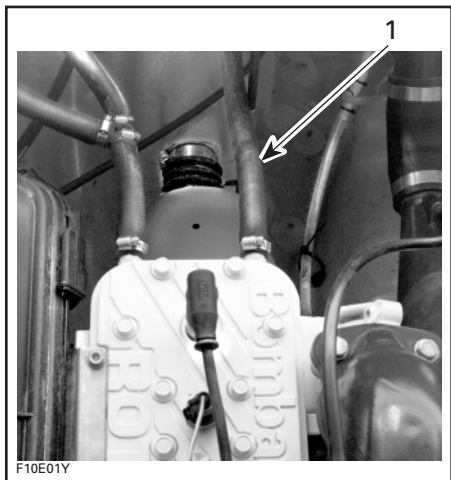
NOTE: If for some reason, you operate the jet boat over 24 km/h (15 MPH) with only one engine running, the non-running engine should have its water supply hose plugged.

This will prevent the cooling system from filling which may lead to water being injected into and filling the exhaust system. Without the engine running there isn't any exhaust pressure to carry the water out the exhaust outlet.

▼ CAUTION

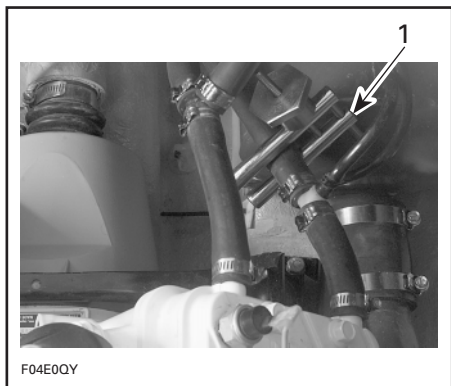
Failure to do this may result in damage to the engine. If you must tow a stranded boat in water and do not have a hose pincher be sure to stay well below the maximum towing speed of 24 km/h (15 MPH).

Snugly install the hose pincher on the hose as shown in the following illustration.



SPORTSTER 1800

1. Install hose pincher on this hose



CHALLENGER 1800

1. Install hose pincher on this hose

▼ CAUTION

When finished towing the boat you must remove the hose pincher before operating it. Failure to do so will result in damage to the engine.

Operating the Boat with Only One Engine

If in an emergency situation the jet boat is operated with only one engine, special care must be taken. See above in **Towing the Boat in Water** for complete procedure.

Low-Charge Battery Condition

See your dealer to have it charged or replaced.

◆ WARNING

Do not charge or boost a battery in the boat.

MAINTENANCE

◆ WARNING

Only perform procedures as detailed in this guide. It is recommended that the assistance of an authorized dealer be periodically obtained on other components/systems not covered in this guide. Unless otherwise specified, engines must not be running and the main disconnect switch must be turned OFF for all maintenance procedures.

NOTE: Where applicable, maintenance procedure applies for both engine systems.

Lubrication

IMPORTANT: DO NOT lubricate safety lanyard post. This will prevent proper electrical contact.

PTO Flywheel

Use SEA-DOO synthetic grease and lubricate every 10 hours of use. Proceed as follows:

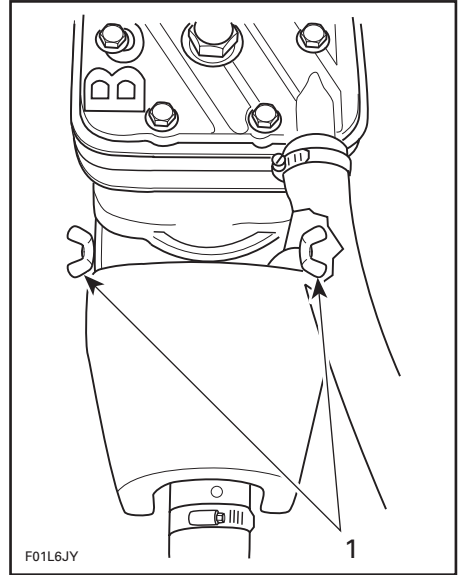
Open rear storage compartment cover.

Remove storage tray.

Loosen the wing nuts, washers and pull out PTO flywheel guard.

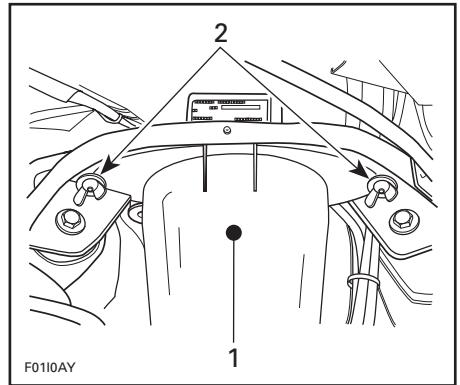
◆ WARNING

Always remove safety lanyard cap from its receptacle to prevent accidental engine starting before removing the PTO flywheel guard.



TYPICAL — SPORTSTER 1800

1. Loosen wing nuts



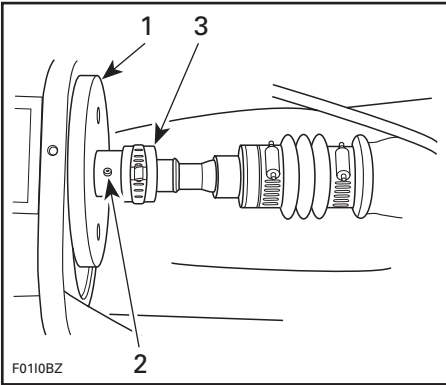
CHALLENGER 1800

1. Flywheel guard
2. Loosen wing nuts

Using a grease gun, carefully lubricate PTO flywheel at grease fitting until drive shaft boot begins to expand.

CAUTION

Immediately stop lubricating as soon as boot begins to expand to prevent boot damage or slipping.



- 1. PTO flywheel
- 2. Grease fitting
- 3. Drive shaft boot

Reinstall and secure PTO flywheel guard.

Anticorrosion Protection

Throttle/Choke Cables

Lubricate the throttle and choke cables with BOMBARDIER LUBE lubricant every 25 hours of use (every 10 hours in salt water use).

Electrical Connections

As necessary, apply dielectric grease on battery posts and all exposed cable connectors including stern light connectors on mat and boat.

Additional Lubrication

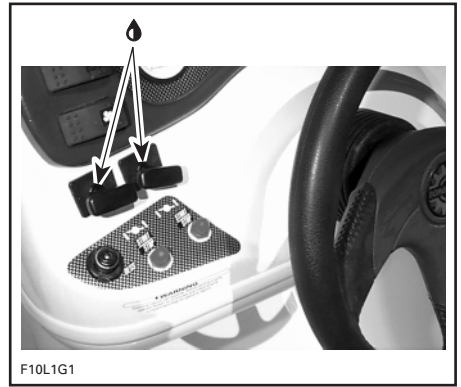
BOMBARDIER LUBE lubricant will help to prevent corrosion and keep proper operation of moving mechanisms.

Lubrication of the following items should be performed every 50 hours in fresh water use but every 10 hours in salt water use.

Choke Levers

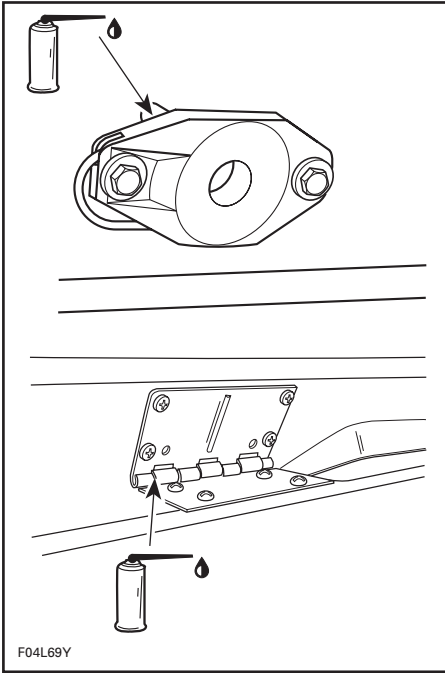
Fully pull choke levers and lubricate the metallic portion.

Sportster 1800



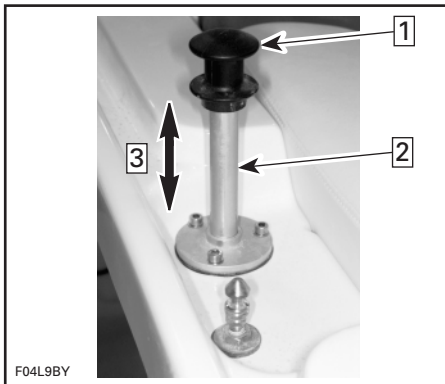
CHALLENGER 1800 SHOWN

Rear Storage Compartment Cover Mechanism and Hinges



Ski Post

Lubricate ski post through all its length. Pull out then push in several times to distribute the lubricant.



Step **1** : Lift ski post to lubricate

Step **2** : Lubricate here

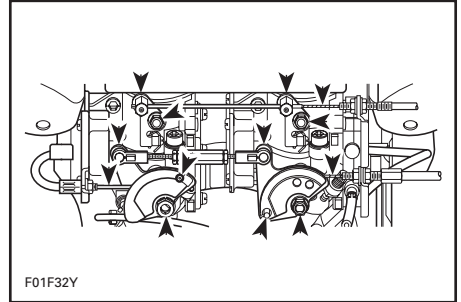
Step **3** : Move post up and down several times to distribute lubricant

Locks

Lubricate locks of glove box, front storage compartment covers and deck storage compartment.

Carburetors and Oil Injection Pump

Lubricate springs, shafts and exposed portion of cables. Grease carburetor linkage with synthetic grease.



TYPICAL

Reverse Gates

Lubricate pivoting points and mechanism of each side.

Weedless System

From underneath of hull, lubricate water intake grates at pivoting points and cable rods.

Rear Storage Compartment Cover Cylinders

Lubricate rod of cylinders.

Periodic Inspection

Routine maintenance is necessary for all mechanized products. A periodic inspection contributes to the products life span.

The following maintenance chart gives guidelines for regular jet boat servicing schedule to be performed by you and/or by an authorized dealer. The schedule should be adjusted according to operating conditions and use.

Periodic Inspection Chart

DESCRIPTION	FREQUENCY				TO BE PERFORMED BY
	EVERY 10 HOURS	EVERY 25 HOURS	EVERY 50 HOURS	EVERY 100 HOURS OR SEASONALLY	
Lubrication/corrosion protection			✓		OPERATOR
Lubrication of storage compartment cover locks	①		✓		OPERATOR
DESS operation/DESS post and safety lanyard cap terminal condition				✓	DEALER
Engine ignition timing				✓	DEALER
Spark plug replacement			✓		DEALER
Throttle/choke cables operation/lubrication	①	✓			OPERATOR
Flame arrester inspection			✓		DEALER
Carburetor adjustment including choke/throttle cable adjustments				✓	DEALER
RAVE valve (if so equipped)				✓	DEALER
Water flow regulator valve (if so equipped)				✓	DEALER
Oil injection pump adjustment				✓	DEALER
Fuel filter and oil filter inspection		✓			DEALER
Oil filter and fuel filter replacement				✓	DEALER
Engine head screws, torque				✓	DEALER
Steering system and low-speed steering control system			✓		DEALER
Throttle and shifter systems				✓	DEALER
Fastener tightening (flame arrester, carburetors, engine exhaust system, etc.)			✓		DEALER
Muffler, battery and reservoir fastening devices			✓		DEALER
Fuel/oil line, check-valve and hose inspection, fuel system pressurization	✓	✓	✓	✓	DEALER
Inspect/clean engine drain tube		✓			DEALER
Bilge pump/deck drain hole/scupper valve inspection			✓		OPERATOR
MPEM connector condition			✓		DEALER
Battery condition			✓		DEALER
Starter cables		✓			DEALER
Monitoring beeper/electrical connections			✓		DEALER
Impeller shaft reservoir oil level/oil condition		✓		Replace ④	DEALER
Impeller condition and impeller/wear ring clearance		②	✓		DEALER
Drive shaft boot and spline condition (both ends)		②	✓		DEALER
Drive shaft floating ring C-clip position				✓	DEALER
PTO flywheel lubrication	✓				OPERATOR
Water intake grates and weedless system condition		②	✓		DEALER
Hull condition and ride shoes				✓	DEALER
Cooling system flushing ③		✓			OPERATOR
Navigation lights condition		✓			DEALER
Bilge blower inspection			✓		DEALER
Bimini top, verification of fastener tightness and strap condition (if so equipped)			✓		OPERATOR

① Every 10 hours in salt water use.

② These items have to be initially checked after 25 hours. Thereafter, servicing to be made as specified in this chart.

③ Daily flushing in salt water or foul water use.

④ Have your dealer inspect anti-rattle pusher.

NOTE: Inspection applies for both engine systems where applicable. Some items are included in the PRE-OPERATION CHECKS and are not necessarily mentioned in this chart but must also be done.

Throttle and Choke Cables

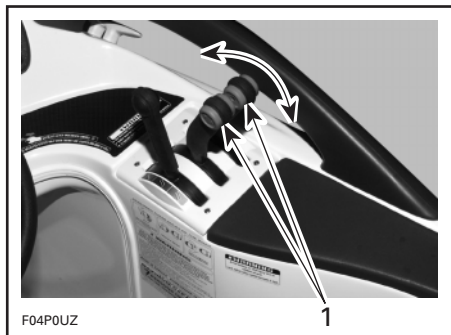
Throttle Cables

Move the throttle levers forward and rearward once. They must operate smoothly. Refer to an authorized dealer if adjustment is necessary.

NOTE: Do not activate throttle levers unnecessarily, carburetors are equipped with fuel accelerator pumps. These pumps deliver fuel to the engines each time throttle levers are moved forward.

◆ WARNING

Do not alter or tamper with throttle cables or routing.



THROTTLE LEVERS — CHALLENGER 1800 SHOWN

1. Must move freely

Choke Cables

Ensure choke cables operate smoothly and without any hesitation from fully open to fully closed. When the choke lever is fully pulled, choke must be fully applied. Refer to an authorized dealer if necessary.

Carburetors

Carburetor adjustment is very important to allow good engine operation and therefore jet boat performance. Carburetor adjustment requires technical knowledge and experience to have the correct mixture supplied to the engine. These critical adjustments must be performed by an authorized dealer once a year or more often if necessary.

▼ CAUTION

Serious engine damage can occur with improper carburetor adjustment.

Fuel and Oil Filters

These filters must be replaced by an authorized dealer annually. Fuel system pressurization should be conducted at the same time.

▼ CAUTION

An obstructed oil filter will cause oil starvation resulting in serious engine damage.

Steering/Jet Pump Nozzle Adjustment

When the steering is aimed in straight ahead position, the jet pump nozzles should be in the same direction to allow the jet boat to run in a straight line.

Refer to an authorized dealer if an adjustment is necessary.

◆ WARNING

Ensure the steering/jet pump nozzles operate freely from side to side and are not stressing the steering cables. Steering system should be inspected every 50 hours by an authorized dealer.

Reverse Gates

When shift lever is in forward position, reverse gates should be in an upward position and locked there. With the shift lever in neutral position, reverse gates should be in intermediate position. When shift lever is in reverse position, reverse gates should be in downward position. Refer to an authorized dealer if an adjustment is necessary.



WARNING

Ensure the shifter/reverse gates operates freely and are not stressing the reverse cable.

Fuses

Accessories, Engine Electrical System and Gauge(s)

If a fuse is defective, replace by one of the same rating.

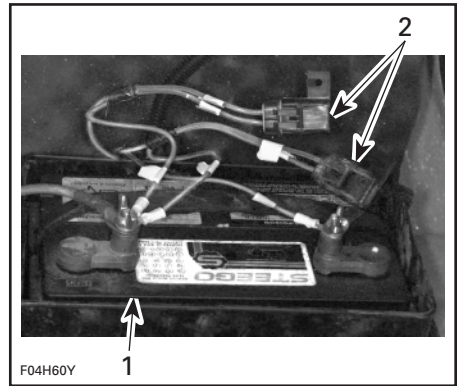


CAUTION

Do not use a higher rated fuse as this can cause severe damage. If a fuse is regularly burnt, refer to an authorized dealer.

If nothing at all is working, check main fuses located close to battery in engine compartment.

NOTE: There are spare fuses in rubber holders attached to the top of MPEM.

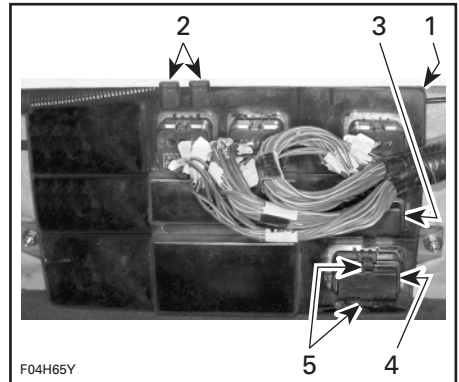


TYPICAL

1. Battery
2. Main fuses

If an accessory, engine or gauge is not working, check its fuse condition.

Fuses for the accessories, the electrical system of the engine(s) and the gauge(s) are mounted on the Multi-Purpose Electronic Module (MPEM), which is located in the engine compartment.

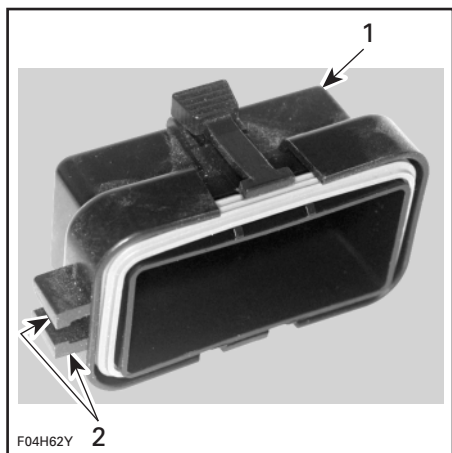


1. MPEM
2. Spare fuse holders
3. Top fuse block
4. Bottom fuse block
5. Locking tabs

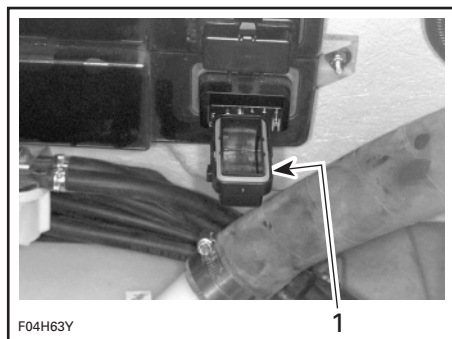
A decal on the MPEM shows the rating, position and identification of the fuses.

Squeeze cover locking tabs and pull cover out to access fuses.

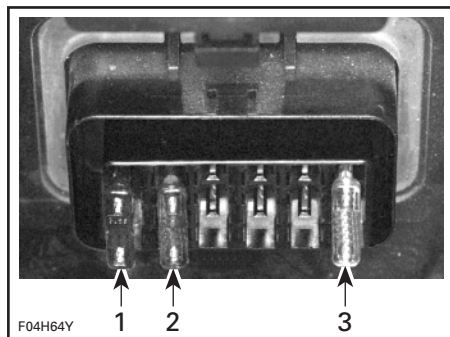
Use the cover tabs to remove the fuse.



1. Fuse block cover
2. Use these tabs as a fuse puller

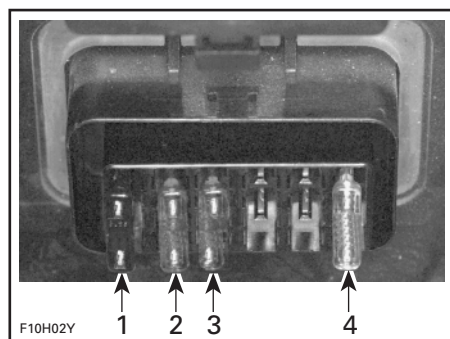


1. Slide cover tabs each side of fuse then pull fuse out



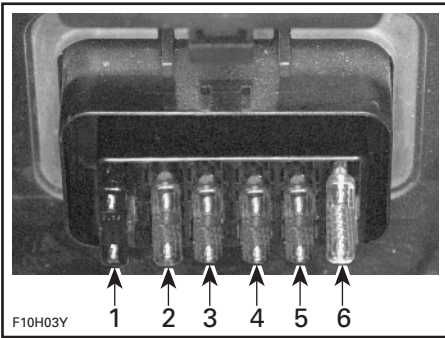
**FUSE IDENTIFICATION IN TOP FUSE BLOCK —
SPORTSTER 1800**

1. MPEM supply
2. Gauges supply
3. Bilge pump



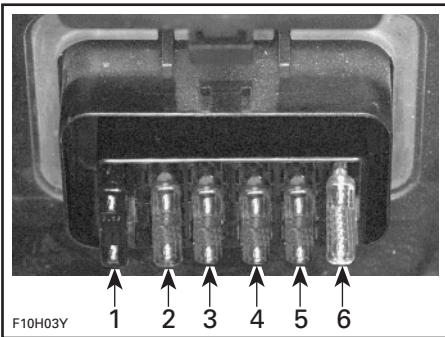
**FUSE IDENTIFICATION IN TOP FUSE BLOCK —
CHALLENGER 1800**

1. MPEM supply
2. Gauges supply
3. Ignition system
4. Bilge pump



FUSE IDENTIFICATION IN BOTTOM FUSE BLOCK — SPORTSTER 1800

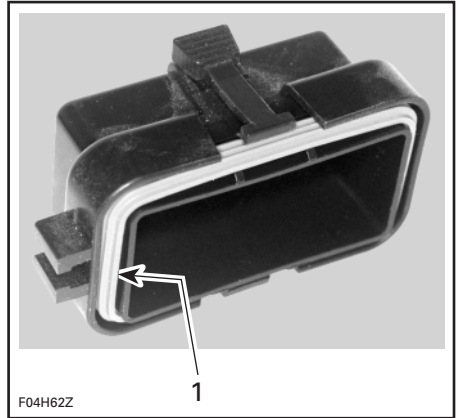
1. Bilge air blower
2. Additional accessories
3. Navigation light
4. Radio
5. Horn and courtesy lights
6. 12-Volts accessory jack



FUSE IDENTIFICATION IN BOTTOM FUSE BLOCK — CHALLENGER 1800

1. Bilge air blower
2. Horn and courtesy lights
3. Additional accessories
4. 12-Volts accessory jack
5. Navigation light
6. Radio

When finished, ensure to properly place seal in cover.



1. Properly place seal in cover

Carefully position cover on fuse block then firmly push until you hear a snapping sound for each locking tab.

Charging System

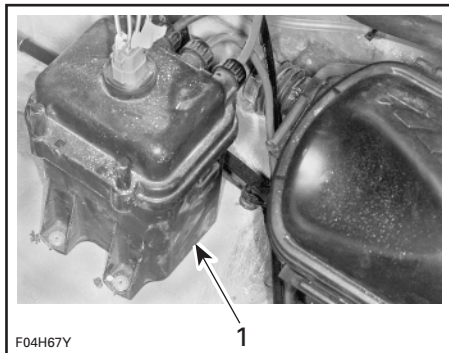
If the battery is regularly discharged, check this fuse condition.

Fuse(s) for the charging system(s) are located in the small electrical box(es) in the engine compartment. On **twin-engine model**, the port side box is for the port engine and the starboard side box is for the starboard engine.

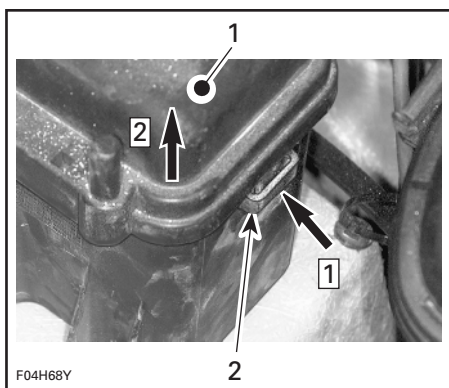
Pull tabs outside one at a time while pulling out cover.

◆ WARNING

If any water is found in the electrical box, immediately refer to an authorized dealer before operating the boat.



1. Electrical box



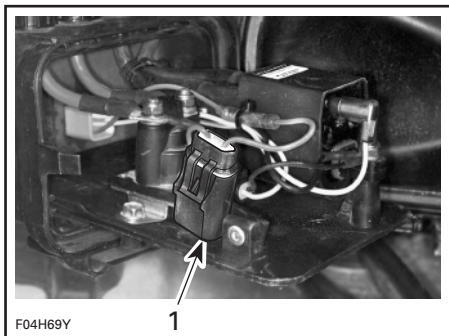
Step 1 : Push locking tab

Step 2 : Lift cover

1. Electrical box cover

2. Locking tab

Lift cover and turn it upside down to reach fuse.



INSIDE VIEW OF ELECTRICAL BOX COVER

1. Charging system fuse

When finished, ensure to carefully close electrical box cover so that seal is well positioned.

Bilge Air Blower

Verify bilge air blower for proper operation. It is located in starboard ventilation duct beneath rear storage compartment cover.



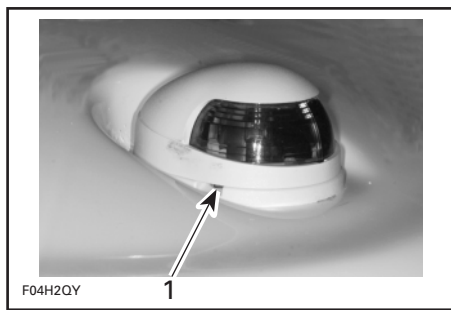
1. Blower

WARNING

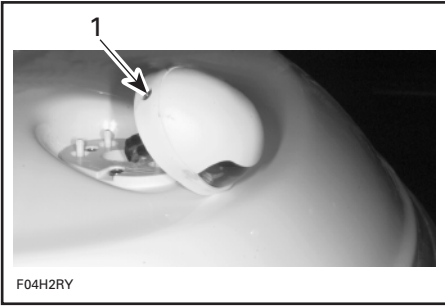
If bilge blower does not operate properly, immediately refer to an authorized dealer before operating the jet boat.

Navigation Light Bulb Replacement

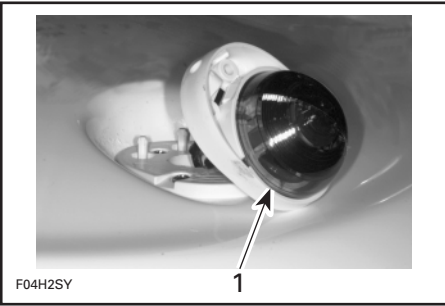
Bow Light



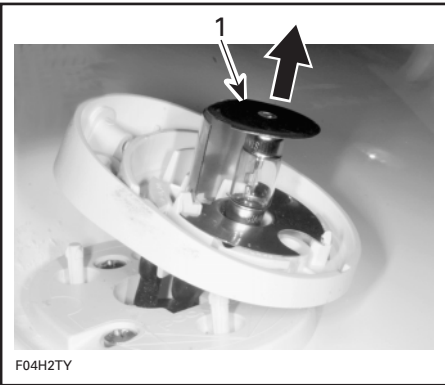
1. Gently pry here with a screwdriver



1. Remove this screw



1. Pull lens out



1. Lift and remove bulb

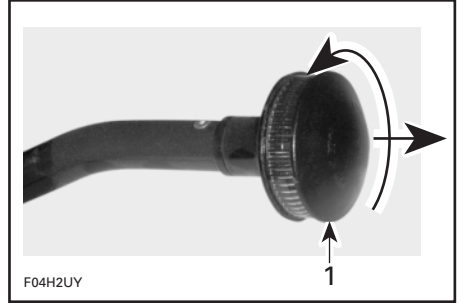
The assembly is essentially the reverse of removal procedures. However, pay particular attention to the following:

Apply dielectric grease on bulb contact surface.

When installing the bulb under the upper terminal plate, it is possible that the bulb remains loose. The cover will compress the terminal plate against the bulb at reinstallation.

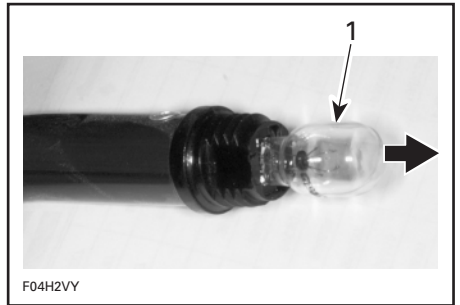
Stern Light

Unscrew lens counterclockwise and pull it out.



1. Unscrew then pull

Pull bulb to remove it.



1. Pull bulb out

Apply dielectric grease on new bulb contact surface.

The assembly is the reverse of removal procedure.

Bimini Top (if so equipped)

Verify tightness of fasteners and condition of straps. Tighten fasteners as necessary. Replace straps if damaged.

General Inspection and Cleaning

Inspection

Check engine compartment for any damage and fuel/oil injection systems for leaks. Also check battery for electrolyte leaks. Ensure all hose clamps are properly secured and no hose is cracked, kinked or presenting any other damage.

WARNING

If any gasoline leaks/odor are found, do not start the engines. Have the boat serviced by an authorized dealer.

Inspect mufflers, battery and reservoir fastening devices. Check electrical connections for corrosion and tightness.

Inspect hull and jet pump water intake grates for damage. Replace or have damaged parts repaired. **It is recommended that an authorized dealer annually inspect the hull.**

Cleaning

Twice a year, the bilge should be cleaned with hot water and detergent or bilge cleaner to remove any possible fuel/oil/electrolyte deposits and mildew.

Occasionally, wash the body with hot water and soap (only use mild detergent). Remove any marine organisms from engine and/or hull. Apply non-abrasive wax.

CAUTION

Never clean fiberglass and plastic parts with strong detergent, degreasing agent, paint thinner, acetone, etc.

Wash windscreen with Bombardier cleaner (P/N 293 110 001) and water. For fine scratches and scuff marks removal, use a windshield polisher for acrylic, lucite, polycarbonate and similar materials.

Stains may be removed from seats and fiberglass with Knight's Spray-Nine* from Korkay System Ltd or the equivalent.

Respect the environment by ensuring fuel, oil or cleaning solutions do not drain into the waterways.

TRANSPORTATION

Transportation

Trailer

Refer to the Trailer instructions for proper capacity, operation, maintenance, accessories and warranty.

Check the regulations in your area concerning towing a trailer, especially the following rules:

- brake system
- tow vehicle weight
- mirrors

NOTE: An optional brake system is available for your trailer, see an authorized Sea-Doo jet boat dealer.

Jet Boat

Take the following precautions when towing the jet boat.



WARNING

Always turn the fuel valves to OFF position when transporting the jet boat.

Remove stern light (if installed).

Ensure all storage compartments are properly latched.

A SEA-DOO jet boat cover should protect the jet boat, particularly before driving on dirt roads.

Loading/Launching

Before launching the boat, ensure the bilge plug is fully screwed and the main disconnect switch is turned ON.

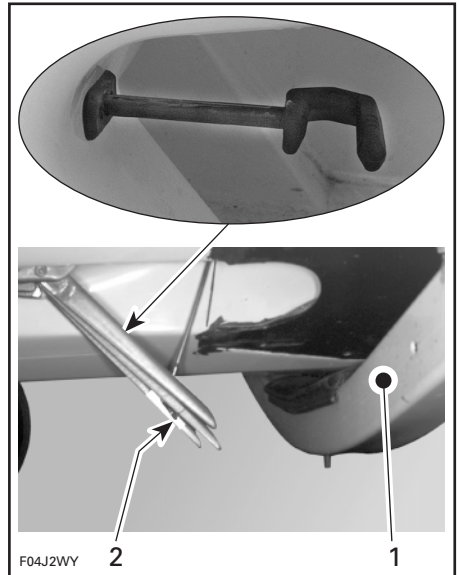
When finished with loading the boat on trailer, it is suggested to turn the main disconnect switch to OFF.

This will allow the water intake grates to be in upper position, eliminating the possibility to come in contact with the trailer.

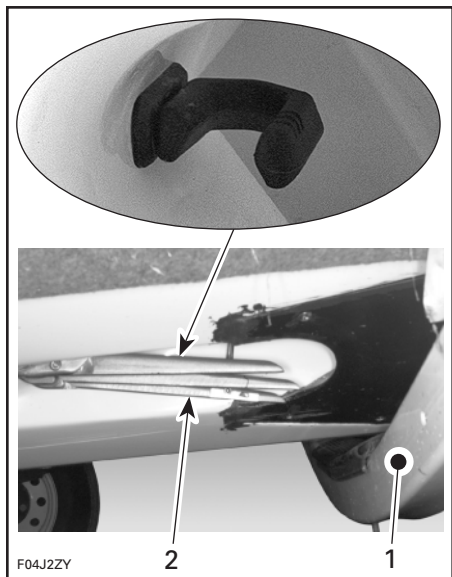


CAUTION

Loading/launching the boat on/from the trailer with the water intake grate in lower position will cause damage to the weedless system and possibly to the fiberglass hull.



1. Trailer frame
2. Grate in fully open position



F04J2ZY

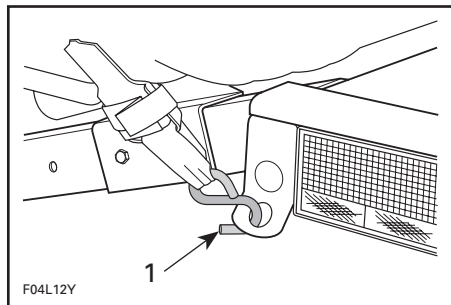
1. Trailer frame
2. Grate in fully close position

When finished with loading the boat on trailer, it is suggested to turn the main disconnect switch to OFF.

Boat Tie-down Attachment on Trailer

When securing boat tie-downs to trailer, ensure that tie-down hook is passed through trailer bracket hole as shown.

The hook open end must be toward ground so that if it would loosen, it would remain hooked on trailer bracket.



F04L12Y

TYPICAL

1. Hook open end must be positioned toward ground



WARNING

Observe trailering safety precautions.

Bimini Top (if so equipped)

Always close Bimini top and hook retaining straps to boat for transportation.

STORAGE AND PRE-SEASON PREPARATION

Storage

It is recommended that the jet boat be taken to an authorized dealer for proper storage but the following operations can be performed by you with a minimum of tools.

▼ CAUTION

Do not run the engines during the storage period.

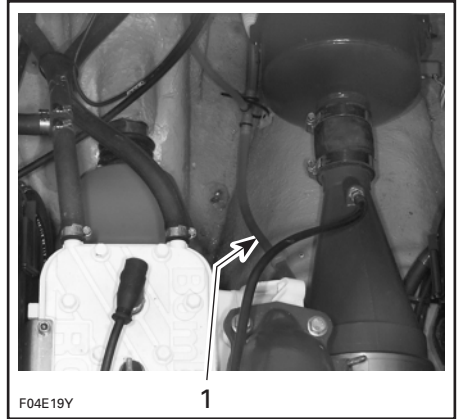
NOTE: Storage procedure applies for both engine systems.

Engine Draining

Check engine drain tube. Make sure there is no sand or other particles in it and that it is not obstructed so that water can exit the engine. Clean hose and fitting as necessary. Refer to POST-OPERATION CARE.

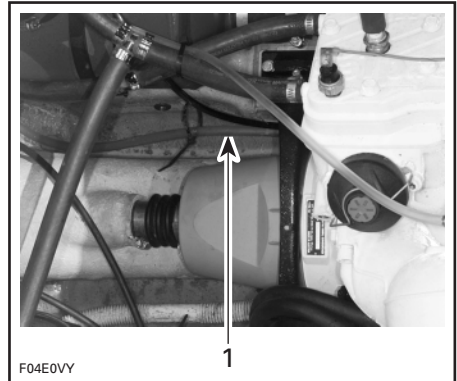
▼ CAUTION

Water in engine drain tube must be free to flow out, otherwise water could be trapped in engine. Should water freeze in engine, severe damage will occur. Check engine drain tube for obstructions.



SPORTSTER 1800

1. Drain tube must be clean



CHALLENGER 1800

1. Drain tube must be clean

Fuel System

SEA-DOO fuel stabilizer or equivalent, should be added to fuel tank to prevent fuel deterioration and carburetor gumming. Follow manufacturer's instructions for proper use.

▼ CAUTION

Fuel stabilizer should be added prior to engine lubrication to ensure carburetor protection against varnish deposit.

◆ WARNING

Fuel is flammable and explosive under certain conditions. Always work in a well ventilated area. Do not smoke or allow open flames or sparks in the vicinity. Always wipe off any fuel spillage from the jet boat. Always turn the fuel valves to OFF position when storing the jet boat.

Cooling System Flushing and Engine Internal Lubrication

Refer to procedure discussed in POST-OPERATION CARE.

Propulsion System

Lubricant in impeller shaft reservoir should be drained and reservoir cleaned. Refilled with 70 mL (2.5 oz) of BOMBARDIER synthetic polyolester oil 75W90 GL5 type C gear lube. Refer to an authorized dealer for this operation.

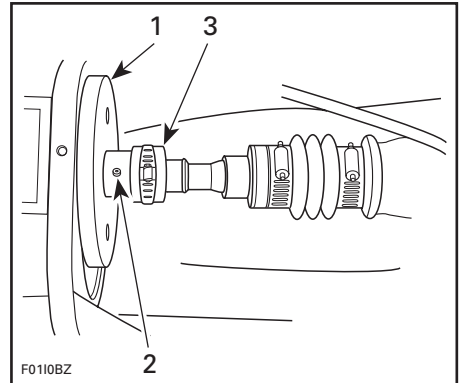
▼ CAUTION

Use only BOMBARDIER jet pump oil or equivalent synthetic gear oil, otherwise component service life could be reduced. Do not mix oil brands or types.

Lubricate PTO flywheel at grease fitting with synthetic grease.

▼ CAUTION

Do not lubricate excessively. Immediately stop when a slight movement is noticed on rubber boot. Never leave any clothing, tool or other objects in the engine compartment.



1. PTO flywheel
2. Grease fitting
3. Drive shaft boot

Boat Cleaning/Repair

Wash the body and the trailer with soap and water solution (only use mild detergent). Rinse thoroughly with fresh water. Remove any marine organisms from the hull.

▼ CAUTION

Never clean apparent fiberglass and plastic parts with strong detergent, degreasing agent, paint thinner, acetone, etc.

Stains may be removed from seats and fiberglass with Knight's Spray-Nine* from Korkay System Ltd or the equivalent.

If repairs are needed to the body or to the hull, contact your dealer. For paint touch up to mechanical parts use Bombardier spray paint. For minor gelcoat repairs, a Bombardier repair kit is available. Replace damaged labels/decals.

Clean the bilge with hot water and detergent or with bilge cleaner. Rinse thoroughly. Unscrew drain plug(s) and lift front end of jet boat to completely drain bilge.

Antifreezing Protection

In cool regions where freezing point temperature may be encountered, cooling system must be filled with water and antifreeze solution. (50% water, 50% antifreeze).

▼ CAUTION

Antifreeze mix must be fed in cooling system. Otherwise water will freeze in engines/exhaust system causing severe damage.

NOTE: When available, it is recommended to use biodegradable anti-freeze compatible with internal combustion aluminum engines. This will contribute to protect the environment.

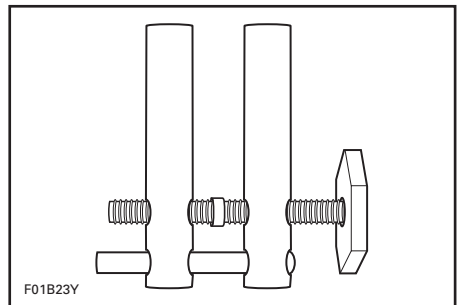
▼ CAUTION

Always use ethylene glycol anti-freeze containing corrosion inhibitors specifically recommended for aluminum engines.

NOTE: The engines will not have to run during this operation but should have been run before to exhaust water from cooling system components.

Some hoses have to be plugged to prevent draining before filling cooling system jackets with the antifreeze. Use hose pinchers (not supplied) (P/N 529 030 400).

Air will escape from bleed hose on tuned pipe.



Sportster 1800

Install a hose pincher and firmly tighten on:

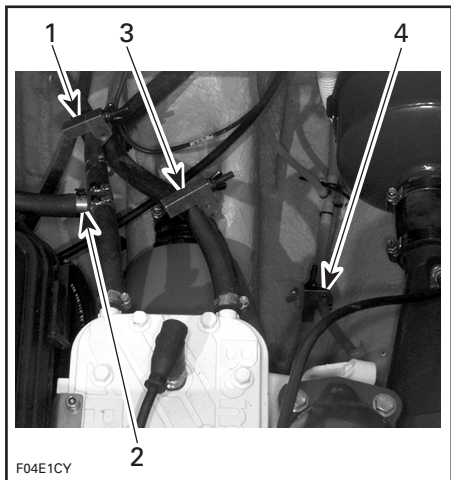
- water injection hose at tuned pipe



F04E0YL

1. *Hose pincher on injection hose going to tuned pipe*

- engine drain tube coming from exhaust manifold before T-fitting
- hose right after T-fitting
- hose on cylinder head

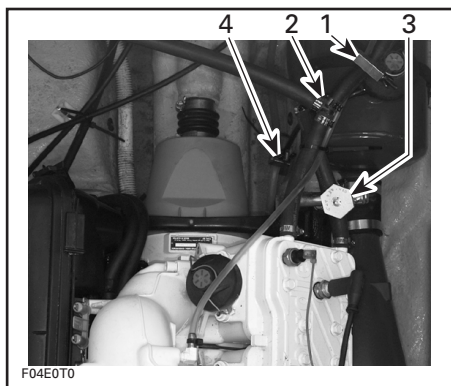


1. Hose pincher right after T-fitting
2. T-fitting
3. Hose pincher on this hose
4. Hose pincher on drain tube

Challenger 1800

Install a hose pincher and firmly tighten on:

- engine drain tube coming from cylinder base before T-fitting
- hose right after T-fitting
- hose on cylinder head



1. Hose pincher right after T-fitting
2. T-fitting
3. Hose pincher on this hose
4. Hose pincher on drain tube

All Models

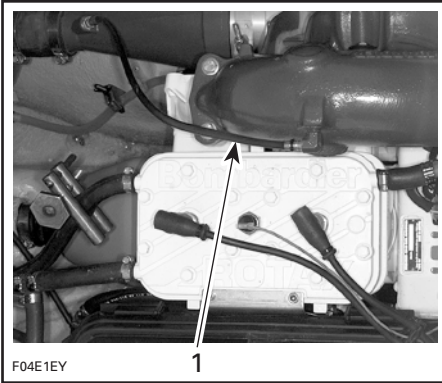
NOTE: Hose pinchers must be firmly tightened so that no antifreeze can flow through the blocked hoses. If you hear the liquid flowing in the muffler immediately after starting pouring antifreeze, it indicates that antifreeze is bypassing the engine/tuned pipe water jackets. To correct this, firmly re-tighten hose pinchers.

Unscrew cap from flushing fitting on the edge of engine compartment and insert a funnel into flushing fitting. Pour about 2 liters (1/2 gal) of antifreeze solution through the funnel. Let the antifreeze enough time to flow. Moving the hose with the T-fitting should accelerate the flow.



Pour antifreeze until you see it flowing out of tuned pipe bleed hose. At this time only, the entire circuit is filled with antifreeze.

Sportster 1800



1. Pour antifreeze until it flows out here

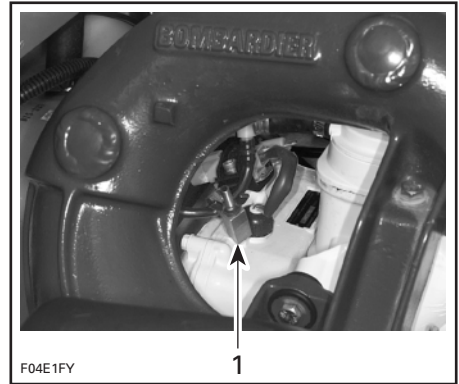
Challenger 1800



1. Pour antifreeze until it flows out here

Sportster 1800

Remove hose pincher from injection hose at tuned pipe and continue to pour approximately 200 mL (7 oz). This will allow antifreeze to flow inside muffler to protect it.



1. Remove hose pincher

Challenger 1800

At this time, remove hose pincher hose at engine head and continue to pour approximately 200 mL (7 oz). This will allow antifreeze to flow through water regulator valve toward muffler to protect them.



1. Remove hose pincher

All Models

When finished, remove all remaining hose pinchers.

Most of the antifreeze will drain out from flushing fitting and jet pump nozzle when removing hose pinchers. Use a suitable container to recover it. Dispose antifreeze as per your local laws and regulations.

NOTE: Although antifreeze will mainly drain out, the antifreeze has flowed to mix with water that was possibly trapped in cooling system cavities and thus preventing freezing problems.

Battery

Contact your authorized dealer.

Anticorrosion Treatment

Wipe off any residual water in the engine compartment.

Spray BOMBARDIER LUBE lubricant over metallic components in engine compartment.

Lubricate the throttle cables with BOMBARDIER LUBE lubricant.

Bimini Top (if so equipped)

The Bimini top canvas is made of polyester fabric with a special coating that provides water resistance, mildew and UV (ultra-violet) resistance. No protection treatment is necessary.

To clean, rinse with cold fresh water. Let dry prior to storing in cover.

CAUTION

Do not machine or machine dry the canvas of Bimini top. Do not use harsh detergents.

Pivot the Bimini top forward and lay down on front part of boat for storage to allow keeping engine cover partially opened.

Finalizing Storage Preparation

Apply a non abrasive wax to body.

If the jet boat is to be stored outside, cover it with a vented opaque tarpaulin to prevent sun rays and grime from affecting the plastic components, jet boat finish as well as preventing dust accumulation.

CAUTION

Never leave the jet boat stored in direct sunlight. UV radiation will dull finishes. The jet boat must never be left in water for storage. Make sure to turn off bilge pump and blower.

The engine storage cover should be left partially opened during storage (disconnect the gas shocks from the cover to prevent full opening). Remove storage tray. Place it on deck. This will avoid engine compartment condensation and possible corrosion.

For the storage period, it is necessary to lift the bow up and safely block in this position so drainage can take place. Ensure the drain plug is unscrewed.

Pre-Season Preparation

Use the following chart.

Since technical skills and special tools are required, some operations should be performed by an authorized dealer.

WARNING

Observe WARNINGS and CAUTIONS mentioned throughout this guide which are pertinent to the item being checked. When component conditions seem less than satisfactory, replace with genuine BOMBARDIER parts or approved equivalents.

NOTE: If non-biodegradable antifreeze was used when storing the boat, it is important to recover the antifreeze before putting the boat in the water. When first starting the engine on pre-season preparation, use a suitable container to recover it and dispose antifreeze as per your local laws and regulations.

Pre-Season Preparation Chart

NOTE: It is highly recommended that the dealer perform at the same time the annual safety inspection in addition to the pre-season preparation.

OPERATIONS	TO BE PERFORMED BY
Lubrication/corrosion protection	OPERATOR
DESS operation/DESS post and safety lanyard cap terminal condition	DEALER
Battery condition/charging and reinstallation	DEALER
Starter connections and routing ②	DEALER
Spark plug replacement ①	OPERATOR
Impeller shaft reservoir oil inspection/replacement	DEALER
Propulsion and weedless system inspection	DEALER
Oil filter replacement	DEALER
Oil injection reservoir filling	OPERATOR
Flame arrester cleaning/inspection ②	DEALER
Fuel filter replacement	DEALER
Fuel line condition ②	DEALER
Filler neck, fuel tank and fuel cap condition ②	DEALER
Check valves, fasteners, fuel system pressurization ②	DEALER
Choke cable inspection/adjustment	DEALER
Oil injection pump adjustment and bleeding	DEALER
Engine ignition timing	DEALER
Carburetor adjustment	DEALER
Steering system and low-speed steering control system inspection ②	DEALER
Throttle/shifter system inspection ②	DEALER
Inspection of drain hole/bilge pump/drain plug	DEALER
Inspection of cooling system inlet/outlet hoses ②, monitoring beeper	DEALER
Fire extinguisher condition/mounting ②	OPERATOR
Bimini top, verify tightness of fasteners and condition of straps and canvas. Tighten fasteners as necessary. Replace straps if damaged	OPERATOR

① Before installing new spark plugs, it is suggested to burn the excess BOMBARDIER LUBE lubricant by starting the engines using the old spark plugs.

② Safety item covered in the annual safety inspection.

WARNING

Only perform this operation in a well ventilated area. Garden hose must be installed or boat must be in water to cool engine. Running the engine without cooling water will damage exhaust hose interior and may damage engine.

TROUBLESHOOTING

The following chart is provided to help in diagnosing the probable source of simple troubles. You may be able to solve many of these problems rather quickly, but others may require the skills of a mechanical technician. In such a case, consult an authorized dealer for servicing

Nothing is Working in the Electrical System.

OTHER OBSERVATION	POSSIBLE CAUSE	REMEDY
No beeps are heard when installing safety lanyard on DESS post.	Main disconnect switch is turned OFF.	Verify and turn ON.

Monitoring Beeper Coded Signals

NUMBER OF BEEPS	POSSIBLE CAUSE	REMEDY
2 short (while installing safety lanyard on DESS post).	<ul style="list-style-type: none"> Everything is correct with the safety lanyard (good contact and right lanyard cap). 	<ul style="list-style-type: none"> Engine can be started normally.
1 long (while installing safety lanyard on DESS post or when pressing start/stop buttons in some cases).	<ul style="list-style-type: none"> Bad connection between safety lanyard cap and DESS post. Wrong safety lanyard. Dried salt water or oil in safety lanyard cap. Improper operation of MPEM or defective wiring harness. 	<ul style="list-style-type: none"> Remove and reinstall the safety lanyard on the DESS post. Two short beeps should be heard which indicates the system is ready again to allow engine starting. Use the safety lanyard that has been programmed for the boat. If it does not work, refer to an authorized dealer. Clean safety lanyard cap with dishwashing liquid. Refer to an authorized dealer.
4 short (while pressing start/stop button with safety lanyard already installed).	<ul style="list-style-type: none"> Shifter is NOT in neutral. 	<ul style="list-style-type: none"> Place shifter in neutral. While moving the shifter, 1 short beep indicates you reached the neutral position.
1 short (while moving shifter to neutral).	<ul style="list-style-type: none"> Confirmation that shifter is now in neutral. 	<ul style="list-style-type: none"> Engine is now ready to be started.
8 short.	<ul style="list-style-type: none"> Defective MPEM (memory). 	<ul style="list-style-type: none"> Refer to an authorized dealer.
Continuous.	<ul style="list-style-type: none"> Engine overheating. 	<ul style="list-style-type: none"> Refer to Engine Overheats below.

Engine will not Start

OTHER OBSERVATION	POSSIBLE CAUSE	REMEDY
Engine does not turn over and the monitoring beeper sounds.	<ul style="list-style-type: none"> Refer to monitoring beeper coded signals above. 	
Engine does not turn over.	<ul style="list-style-type: none"> Safety lanyard removed. Burnt fuse. Discharged battery. Battery connections, corroded or loose. Water flooded engine. 	<ul style="list-style-type: none"> Install cap over switch. Check wiring then replace fuse. Refer to an authorized dealer. Refer to an authorized dealer. Refer to an authorized dealer.
Engine slowly turns.	<ul style="list-style-type: none"> Discharged or weak battery. 	<ul style="list-style-type: none"> Refer to an authorized dealer.
Engine turns over.	<ul style="list-style-type: none"> Fuel tank empty or water contaminated. Fuel filter clogged or water contaminated. Fuel flooded engine: <ul style="list-style-type: none"> Fouled/defective spark plugs. Misuse of choke. 	<ul style="list-style-type: none"> Refill or siphon and fill with fresh fuel. Clean, check fuel tank for water. Replace. Use only with cold engine. Replace spark plugs.

Engine Misfires, Runs Irregularly

OTHER OBSERVATION	POSSIBLE CAUSE	REMEDY
Weak spark.	<ul style="list-style-type: none"> Fouled worn spark plugs. Faulty RPM limiter. Too much oil supplied to engine. 	<ul style="list-style-type: none"> Replace. Refer to an authorized dealer. Improper oil pump adjustment, refer to an authorized dealer.
Lean fuel mixture.	<ul style="list-style-type: none"> Fuel: Level too low, stale or water contaminated. Fuel filter, clogged or water contaminated. Fuel valve partially opened. 	<ul style="list-style-type: none"> Siphon and/or refill. Refer to an authorized dealer. Turn fuel valve to ON position.
Rich fuel mixture (high fuel consumption).	<ul style="list-style-type: none"> Flame arrester dirty/clogged. Partially closed choke. 	<ul style="list-style-type: none"> Clean or replace. Refer to an authorized dealer.

Engine Overheats

OTHER OBSERVATION	POSSIBLE CAUSE	REMEDY
Monitoring beeper continuously sounds.	<ul style="list-style-type: none"> Clogged jet pump water intake. Incorrect type of fuel or oil. Clogged coolant system. 	<ul style="list-style-type: none"> Clean. Siphon and refill. Flush cooling system with garden hose.

Engine Continually Backfires

OTHER OBSERVATION	POSSIBLE CAUSE	REMEDY
	<ul style="list-style-type: none"> • Faulty RPM limiter. 	<ul style="list-style-type: none"> • Refer to an authorized dealer.
Weak spark.	<ul style="list-style-type: none"> • Fouled, worn spark plugs. 	<ul style="list-style-type: none"> • Replace.
Overheated engine.	<ul style="list-style-type: none"> • See ENGINE OVERHEATS. 	

Engine Pinging or Knocking

OTHER OBSERVATION	POSSIBLE CAUSE	REMEDY
	<ul style="list-style-type: none"> • Poor quality gasoline/low octane. • Spark plug heat range too high. 	<ul style="list-style-type: none"> • Use well known quality and recommended gasoline. • Use recommended spark plugs.

Engine Lacks Acceleration or Power

OTHER OBSERVATION	POSSIBLE CAUSE	REMEDY
	<ul style="list-style-type: none"> • Weak spark/incorrect fuel mixture. • Water in fuel or injection oil. 	<ul style="list-style-type: none"> • Refer to ENGINE MISFIRES... • Siphon and replace.
Overheated engine.	<ul style="list-style-type: none"> • See ENGINE OVERHEATS. 	

Jet Boat can not Reach Top Speed

OTHER OBSERVATION	POSSIBLE CAUSE	REMEDY
	<ul style="list-style-type: none"> • Jet pump water intakes clogged. • Damaged impellers. 	<ul style="list-style-type: none"> • Clean. • Replace. Refer to an authorized dealer.

Abnormal Noise from Propulsion System

OTHER OBSERVATION	POSSIBLE CAUSE	REMEDY
	<ul style="list-style-type: none"> • Weeds or debris jammed around impellers. 	<ul style="list-style-type: none"> • Clean and check for damage.
	<ul style="list-style-type: none"> • Damaged impeller shaft(s) or drive shaft(s). 	<ul style="list-style-type: none"> • Refer to an authorized dealer.

SPECIFICATIONS

ENGINE		SPORTSTER 1800	CHALLENGER 1800
Number of engines		2	
Engine type		Bombardier-Rotax 717, 2-stroke	Bombardier-Rotax 787, 2-stroke
Induction type		Rotary valve	
Exhaust system		Water cooled/water injected	
Lubrication	Type	Oil injection	
	Oil type	BOMBARDIER-ROTAX injection oil	
Number of cylinders		2	
Displacement		718 cm ³ (43.81 in ³)	782 cm ³ (47.69 in ³)
Rev limiter setting		7000 RPM (± 50)	7200 RPM (± 50)
COOLING			
Type		Water cooled, total loss type. Direct flow from propulsion unit	
Monitoring beeper, switch on @		96-99°C (205-210°F)	
ELECTRICAL			
Magneto generator output		160 W @ 6000 RPM	180 W @ 6000 RPM
Ignition system type		CDI (Capacitor Discharge Ignition (breakerless))	DC-CDI (Direct-Current Capacitor Discharge Ignition (breakerless))
Spark plug	Make and type	NGK, BR8ES (resistor type)	
	Gap	0.5 - 0.6 mm (.020 -.024 in)	
Starting system		Electric starter	
Battery		Not supplied ①	
Fuses	Main	20 A (3)	20 A (3)
	MPEM supply	5 A (1)	5 A (2)
	Charging system	15 A (2)	15 A (2)
	Bilge air blower	7.5 A	
	Bilge pump	3 A	
	Navigation lights	3 A	
	Gauges supply	5 A	
	Additional accessories	10 A	
CARBURETION			
Fuel type		Regular unleaded gasoline (87 octane)	
Carburetor		One carburetor, diaphragm type with accelerator pump	Two carburetors, diaphragm type with accelerator pump

PROPULSION		SPORTSTER 1800	CHALLENGER 1800
Propulsion system		Bombardier Formula Jet Pump	
Number of jet pumps		2	
Jet pump type		Axial flow, single stage	
Transmission		Direct drive	
Impeller shaft reservoir, oil type		Sea-Doo Synthetic polyolester 75W90 GL5 gear oil	
Pivoting angle of direction (nozzle)		~26°	
Minimum required water level for jet pumps		90 cm (3 ft)	
DIMENSIONS			
Overall length		546 cm (215 in)	
Overall length on trailer		617 cm (243 in)	
Beam		229 cm (90 in)	
Draft		27 cm (10.5 in)	
Dead rise		19.5°	
Overall height		135 cm (53 in)	
Overall height on trailer		178 cm (70 in)	
Weight (dry)		850 kg (1870 lb)	
Load limit (passengers + luggage)		7 passengers OR 525 kg (1150 lb) (based on calm water operation)	
Maximum engine power capacity rating of the craft		125 kW (166 HP) @ 6750 RPM	150kW (201 HP) @ 6850 RPM
Hull material		Composite (fiberglass)	
CAPACITIES			
Fuel tank (reserve included)		151 L (40 U.S. gal)	
Impeller shaft reservoir	Capacity	70 mL (2.4 U.S. oz)	
	Oil level	Up to plug	
Oil injection reservoir		9 L (2.3 U.S. gal)	

① Recommended: Exide RV24-130, 12 V, 25 A•h (130 minutes reserve) or RV24-160 (160 minutes) or equivalent.

Battery posts: On top. Round taper type.

Battery maximum allowed size: 285 mm (11-1/4 in) long x 190 mm (7-1/2 in) wide x 238 mm (9-3/8 in) high.

BOMBARDIER INC. reserves the right to make changes in design and specifications and/or to make additions to, or improvements in its products without imposing any obligation upon itself to install them on its products previously manufactured.

SI* METRIC INFORMATION GUIDE

BASE UNITS			
DESCRIPTION	UNIT		SYMBOL
length	meter		m
mass	kilogram		kg
force	newton		N
liquid	liter		L
temperature	Celsius		°C
pressure	kilo pascal		kPa
torque	newton-meter		N•m
land velocity	kilometer per hour		km/h
navigation velocity	knot		kn
PREFIXES			
PREFIX	SYMBOL	MEANING	VALUE
kilo	k	one thousand	1000
centi	c	one hundredth of	0.01
milli	m	one thousandth of	0.001
micro	μ	one millionth of	0.000001
CONVERSION FACTORS			
TO CONVERT	TO ①		MULTIPLY BY
in	mm		25.4
in	cm		2.54
in ²	cm ²		6.45
in ³	cm ³		16.39
ft	m		0.3
oz	g		28.35
lb	kg		0.45
lbf	N		4.4
lbf•in	N•m		0.11
lbf•ft	N•m		1.36
lbf•ft	lbf•in		12
PSI	kPa		6.89
imp. oz	U.S. oz		0.96
imp. oz	mL		28.41
imp. gal	U.S. gal		1.2
imp. gal	L		4.55
U.S. oz	mL		29.57
U.S. gal	L		3.79
knot	MPH		1.15
MPH	km/h		1.61
Fahrenheit	Celsius		(°F - 32) ÷ 1.8
Celsius	Fahrenheit		(°C × 1.8) + 32
HP	kW75

* The international system of units abbreviates SI in all languages.

① To obtain the reverse sequence, divide by the given factor. To convert “milli-meters” to “inches”, divide by 25.4.

NOTE: Conversion factors are rounded off to 2 decimals for easier use.

NOTES

NOTES



STAMP

BOMBARDIER INC.
SEA-DOO WARRANTY
VALCOURT, QUEBEC
CANADA J0E 2L0



• TRADEMARKS OF BOMBARDIER INC.
• 1997 BOMBARDIER INC. ALL RIGHTS RESERVED
LITHO'D IN CANADA