

SUPPLEMENT FOR MODEL : 3352

This correction sheet must be used in conjunction with the *1991 Alpine II Operator's Guide* (P/N 414 7113 00)

REFERENCE : U.S. ARMY
CONTRACT DAA E07-91-C-1424



OPERATOR'S GUIDE

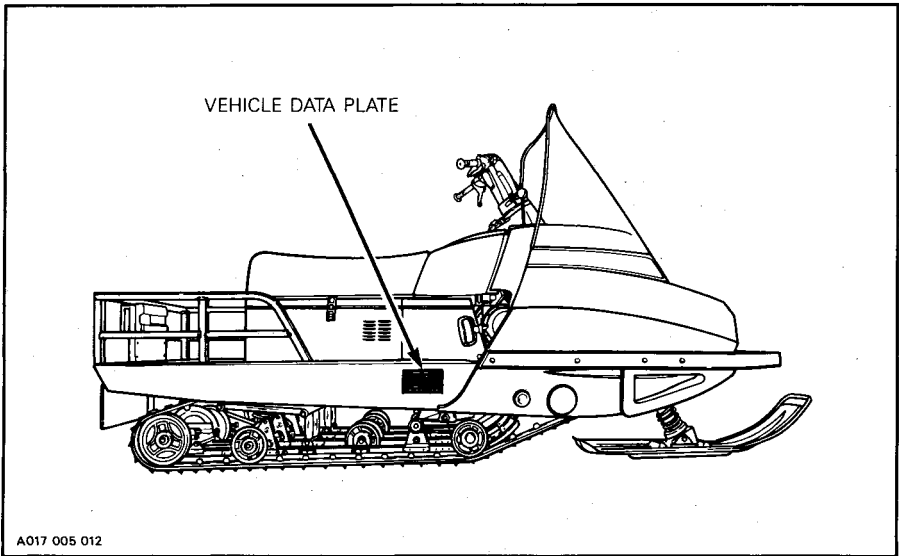
1991

ALPINE® II

Litho'd in Canada
®* Trademarks of Bombardier Inc.
All rights reserved © Bombardier Inc.

(MMO-9114SH) 414 7832 00

◆ **WARNING :** The engine and the corresponding components identified in the operator's guide should not be utilized on product(s) other than that mentioned on the cover page of the operator's guide.

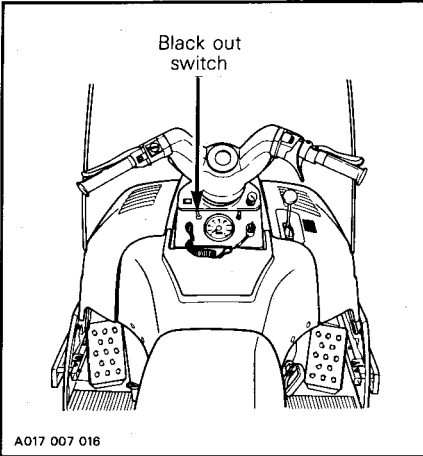


The vehicle data plate appears on the right hand side of the chassis, as shown.

CONTROLS/INSTRUMENTS

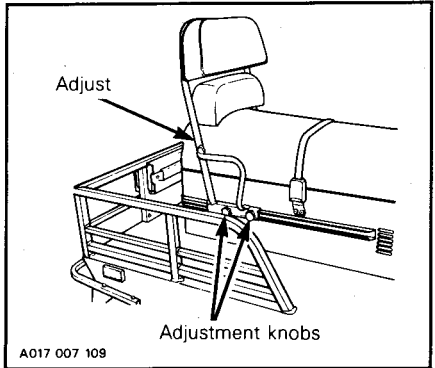
Black Out Switch

Turns off lights.



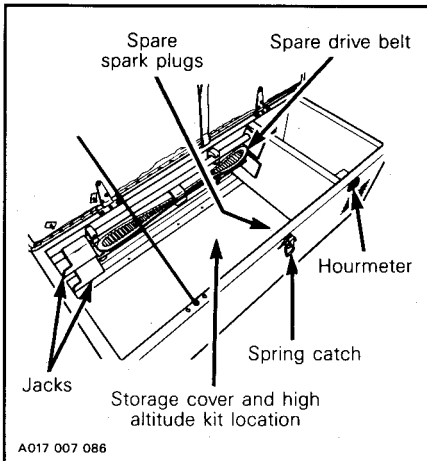
Backrest

Adjust backrest to desired position and lock in place using adjustment knobs. Periodically during use, check tightness of adjustment knobs.



Seat Compartment

Unfasten spring catch and tip seat over from right side. Two jacks and a spare drive belt are hold by brackets on left side of seat compartment, note their positions for proper storage. Two spare spark plugs are screwed on a support on right side of seat compartment. The storage cover and high altitude kit are also located in seat compartment.

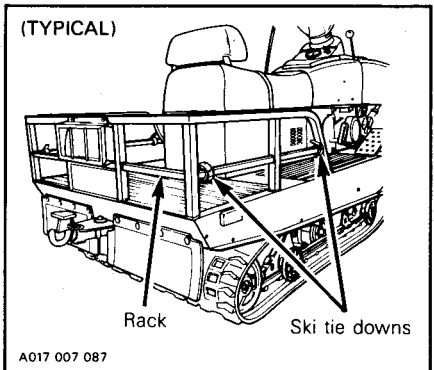


Hour Meter

The hour meter and its filter are located in battery compartment in front of seat compartment. The hour meter indicates the total number of engine running hours.

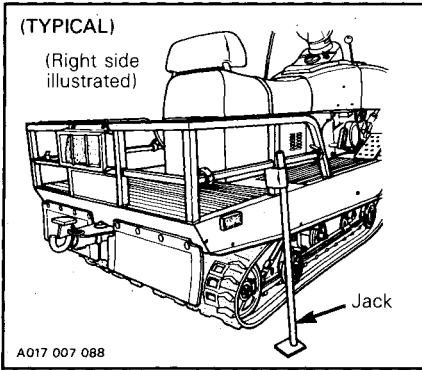
Ski Tie Downs

On each side of rack, two ski tie downs are riveted.



Jack Utilization

Install jacks (one on each side) as illustrated to support rear portion of vehicle off the ground.



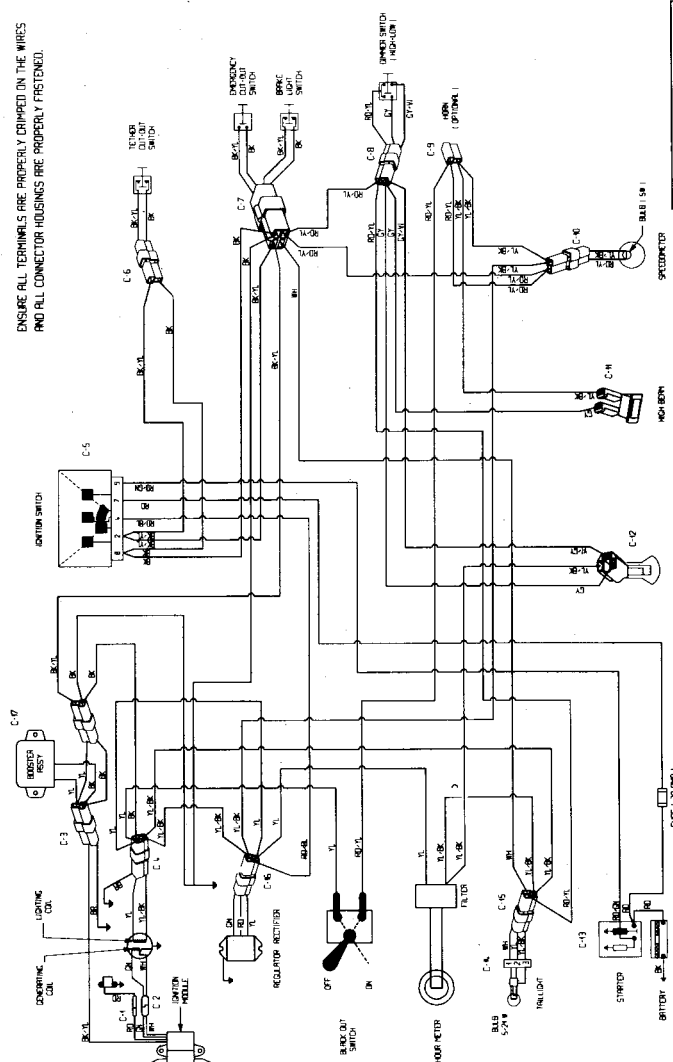
WIRING DIAGRAM

Alpine II military (Army 1991)

WARNING :

ENSURE ALL TERMINALS ARE PROPERLY CRIMPED ON THE WIRES
AND ALL CONNECTOR HOUSINGS ARE PROPERLY FASTENED.

ALPINE II MILITARY
U.S. ARMY 1991



COLOUR CODES	
BK	- BLACK
GN	- GREEN
WH	- WHITE
GY	- GREY
BL	- BLUE
RD	- RED
OR	- ORANGE
YL	- YELLOW
BR	- BROWN

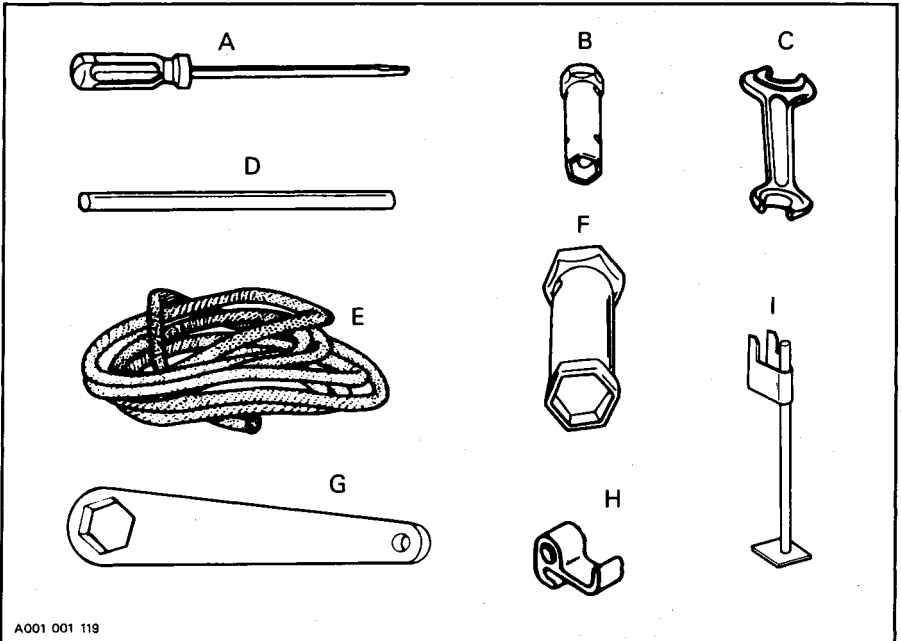
LOCATION OF CONNECTORS

- C-1 C-2 C-3 ON ENGINE RIGHT SIDE
- C-4 C-5 C-6 ON ENGINE LEFT SIDE
- C-7 ON FRONT WHEEL
- C-8 HORN ELECTRICAL STARTER
- C-9 HORN ELECTRICAL STARTER
- C-10 HORN ELECTRICAL STARTER
- C-11 HORN ELECTRICAL STARTER
- C-12 HORN ELECTRICAL STARTER
- C-13 HORN ELECTRICAL STARTER
- C-14 HORN ELECTRICAL STARTER
- C-15 HORN ELECTRICAL STARTER
- C-16 HORN ELECTRICAL STARTER
- C-17 ON FRONT WHEEL

TOOLS

As standard equipment each new snowmobile is supplied with basic tools such as screwdriver, wrenches, emergency starting rope, etc.

Standard Tools



A001 001 119

- | | |
|-----------------------------|--|
| A. Screwdriver | F. Socket 21/26 mm |
| B. Socket 10/13 mm | G. Hexagonal wrench
(adjuster blocks) |
| C. Open end wrench 10/13 mm | H. Emergency starter clip |
| D. Socket wrench handle | I. Jack (2) |
| E. Emergency starting rope | |

