

Operator's manual

This correction booklet must be used in correlation with the 1986 Safari 377-377E-447-GL LC operator's manual (P/N 414 5721 00)

SAFARI GRANDLUXE LC



1986

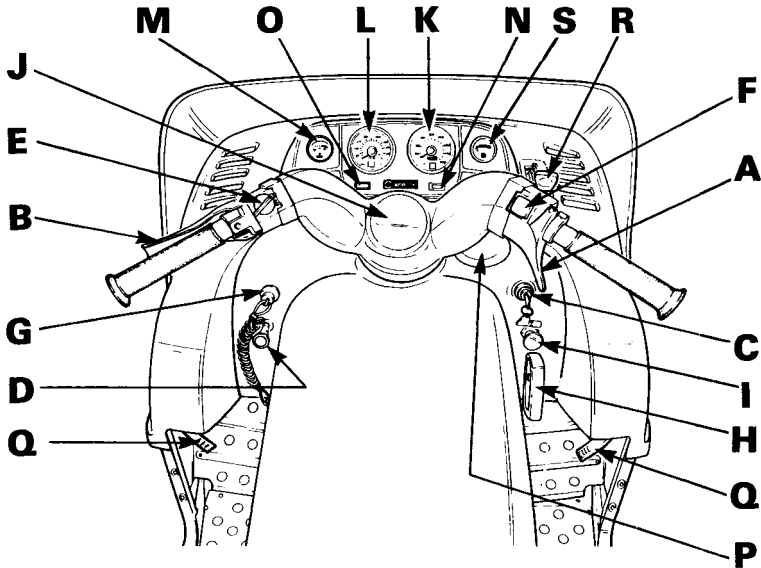
414 5869 00

INDEX

○ **NOTE:** Information and instructions regarding the Safari GL LC model contained in the 1986 Safari 377, 377E, 447, GL LC operator's manual also apply to the Safari GL LC model exceptions are contained in this supplement.

| | |
|--|----------|
| CONTROLS/INSTRUMENTS | 2 |
| HOW TO IDENTIFY YOUR SNOWMOBILE | 3 |
| LUBRICATION | |
| Slide suspension | 3 |
| MAINTENANCE | |
| Suspension adjustment | 4 |
| TOOLS | 5 |
| SPECIFICATIONS | 6 |

CONTROLS/INSTRUMENTS



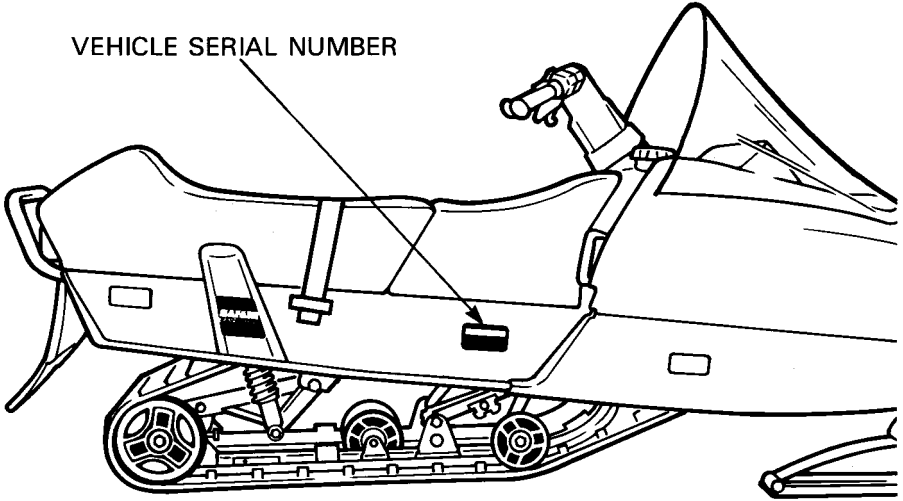
A009007009

- A) Throttle lever
- B) Brake lever
- C) Ignition switch
- D) Light switch (Electric model)
- E) Headlamp dimmer switch
- F) Emergency cut-out switch
- G) Tether cut-out switch
- H) Rewind starter handle
- I) Primer
- J) Adjustable steering handle
- K) Speedometer (Optional on some models)
- L) Tachometer (Optional on some models)
- M) Temperature gauge (On liquid cooled model only)
- N) Injection oil level pilot lamp (red) (Optional on some models)
- O) High beam pilot lamp (blue) (Optional on some models)
- P) Tank cap
- Q) Hood opening
- R) Retractable headlamp lever
- S) Electric fuel gauge

S) Electric fuel gauge

The electric fuel gauge is located in the dashboard and allows driver to observe the fuel level while riding the snowmobile.

HOW TO IDENTIFY YOUR SNOWMOBILE

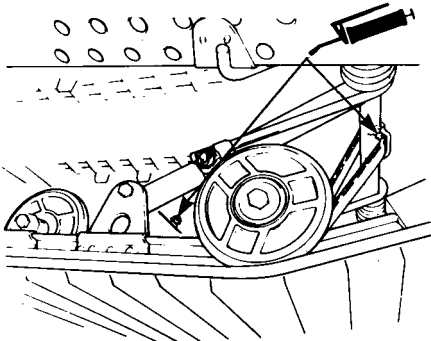


A012005001

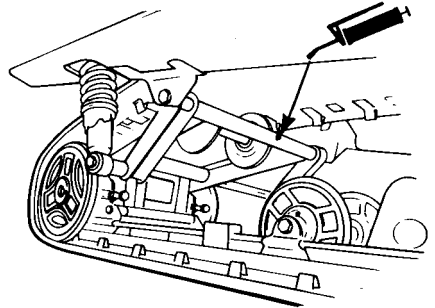
LUBRICATION

Slide suspension

Lubricate front & rear arms at grease fittings until grease appears at joints. Use low temperature grease only.



A014005007



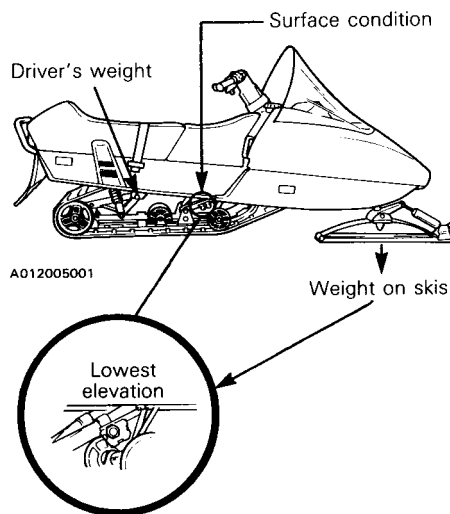
A014005008

MAINTENANCE

Suspension adjustment

The suspension is adjustable. The front adjustment for surface condition, the rear for driver's weight. Use the special keys located in tool box.

Adjuster blocks



A009005003

When the front adjuster blocks are at the lowest elevation more weight is distributed on the skis. At the highest position the weight is transferred from the skis to the track.

NOTE: For deep snow condition or hill climbing, it is recommended to place the front adjuster blocks on the highest position.

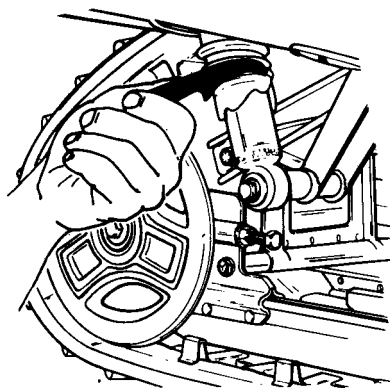
CAUTION: Always turn the left side adjuster blocks in a clockwise direction, the right side blocks in a counterclockwise direction. Left and right adjuster blocks of each adjustment must always be set at the same elevation.

The rear spring preload can be adjusted as follows:

lower position: 68 kg (150 lbs) or less

middle position: 68-82 kg (150-180 lbs)

highest position: 82 kg (180 lbs) and higher.



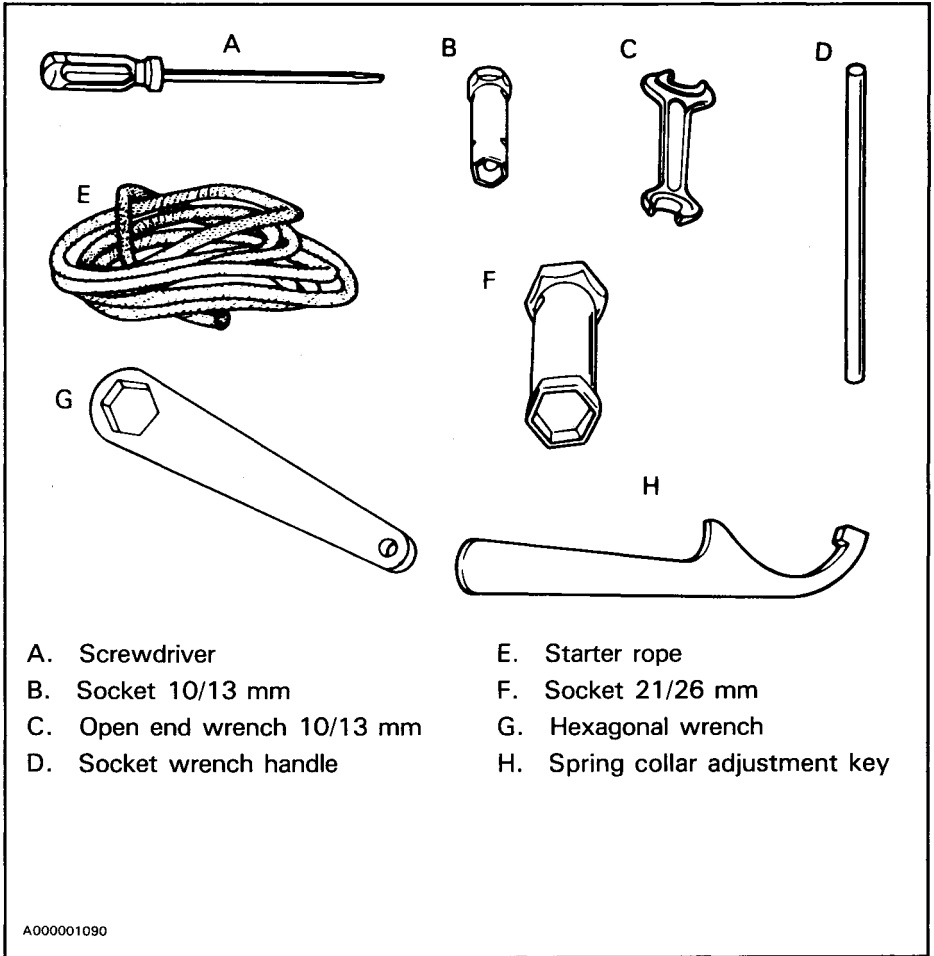
A014005013

To adjust, use the adjustment key supplied and turn the spring collar accordingly.

TOOLS

As standard equipment each new snowmobile is supplied with basic tools such as screwdriver, wrenches, emergency starter rope, etc..

Standard Tools



SPECIFICATIONS

Safari Grand Luxe LC

ENGINE

| | |
|---------------------------------|--|
| Type | 532 |
| No. of cylinders | 2 |
| Bore | 72 mm (2.835") |
| Stroke | 64 mm (2.520") |
| Displacement | 521.2 cm ³ (26.64 in ³) |
| Compression ratio (corrected) | 6.8:1 |
| Maximum R.P.M. | 7500 |
| Carburetor type | Mikuni |
| Carburetor adjustment: | |
| — air screw | 1 1/2 turn |
| — idle speed | 1800-2000 R.P.M. |
| Rotary valve oil | 568 ml |
| — SI | |
| reservoir | 20 oz |
| — Imp. | |
| Cooling system | 4.5 L |
| — SI | |
| capacity | 160 oz |
| — Imp. | |
| — U.S. | 154 oz |
| Antifreeze/water mixture | 60/40 |
| (% by volume) | |
| Thermostat | 43°C (110°F) |
| Radiator pressure cap | 90 kPa (13 lbf/in ²) |
| Torque: | |
| — engine head nuts | M8: 21 N•m (15 lbf•ft) |
| — crankcase nuts | M6: 9 N•m (80 lbf•in) |
| | M8: 21 N•m (15 lbf•ft) |
| — magneto ring nut | M22: 85 N•m (63 lbf•ft) |
| — crankcase engine support nuts | M10: 38 N•m (28 lbf•ft) |
| — exhaust manifold bolts | M8: 21 N•m (15 lbf•ft) |
| — electrical starter bolts | M8: 21 N•m (15 lbf•ft) |
| | M5: 4 N•m (3 lbf•ft) |

CHASSIS

| | |
|-------------------------------|--|
| Overall length | 279.4 cm (110") |
| Overall width | 96.5 cm (38") |
| Overall height | 96.5 cm (38") |
| Ski stance (center to center) | 81.9 cm (32.25") |
| Ski alignment (toe out) | 3 mm (1/8") |
| Torque: | |
| — steering arm/ski leg bolt | 50 N•m (37 lbf•ft) |
| — steering column/handlebar | 26 N•m (19 lbf•ft) |
| Weight | 216.4 kg (477 lb) |
| Bearing area | 7594 cm ² (1177 in ²) |
| Ground pressure | 2.85 kPa (.405 lb/in ²) |

Safari Grand Luxe LC

POWER TRAIN

| | |
|---------------------|---|
| Track: | |
| — width | 41.9 cm (16 1/2'') |
| — length | 315 cm (124'') |
| — tension | |
| — alignment | 13 mm (1/2'') gap between slide and bottom inside of track. |
| Standard gear ratio | Equal distance between edges of track guides and slider shoes. 21/37 |
| Drive belt: | |
| — number | 414 5233 00 |
| — Max. width | 34.9 mm (1 3/8'') |
| — Min. width | 31.7 mm (1 1/4'') |
| Chaincase oil | 200 ml (7 oz) |

ELECTRICAL

| | |
|--------------------------|------------------------|
| Lighting system (output) | 12 V. 160 W |
| Bulb: | |
| — headlamp | 60/55 W |
| — tail/stop | 5/21 W |
| — speedometer | 5W |
| — tachometer | 5W |
| — temperature gauge | 2W |
| Fuse: | |
| — ignition switch | 15 A |
| — starter solenoid | 30 A |
| — tachometer | 0.1 A |
| Spark plug | |
| — type | BR8ES |
| — gap | 0.4 mm (0.016'') |
| Ignition timing: | |
| — timing mark (B.T.D.C.) | 1.75 mm (.069'') (17°) |
| — stroboscopic timing | 6000 R.P.M. |

FUEL

| | |
|--------------------|-------------------------------------|
| Gas type | Regular leaded |
| Fuel tank capacity | |
| — SI | 28.6 liters |
| — Imp. | 6.3 gals |
| — U.S. | 7.6 gals |
| Injection oil | |
| Type | Bombardier snowmobile injection oil |
| Tank capacity | |
| — SI | 2.6 liters |
| — Imp. | 92 oz |
| — U.S. | 88 oz |

BRAKE

| | |
|--------------------------|---|
| Type | Disc, self adjusting |
| Lining minimum thickness | 3 mm (1/8'') |
| Control lever adjustment | 13 mm (1/2'') minimum distance from handle bar grip when fully applied. |

N.A.: Non applicable

Bombardier Inc. reserves the right to make changes in design and specifications and/or to make additions to, or improvements in its product without imposing any obligation upon itself to install them on its products previously manufactured.

NOTES
