



EVINRUDE®



Operator's Guide

9.8 HORSEPOWER

B10R4, B10RL4, B10TEL4, B10EL4, B10TPL4, B10PL4, B10TPX4, B10PX4
E10R4, E10RL4, E10TEL4, E10EL4, E10TPL4, E10PL4, E10TPX4, E10PX4

2012 and "AA" Models

216182



⚠ READ THIS MANUAL BEFORE USING THE OUTBOARD MOTOR. FAILURE TO FOLLOW THE INSTRUCTIONS AND SAFETY PRECAUTIONS IN THIS MANUAL CAN RESULT IN SERIOUS INJURY OR DEATH. KEEP THIS MANUAL IN A SAFE LOCATION FOR FUTURE REFERENCE.

Copyright 2012 BRP US Inc. All rights reserved. No part of this manual may be reproduced or transmitted in any form or by any means without the expressed written permission of BRP US Inc.

Your *Evinrude* 4-Stroke Outboard

OWNER REGISTRATION AND IDENTIFICATION

Upon purchasing this product, be sure that the WARRANTY CARD is correctly and completely filled out and mailed to the addressee noted there on. This WARRANTY CARD identifies you as the legal owner of the product and serves as your warranty registration.

TO THE EXTENT PERMITTED BY APPLICABLE LAW, YOUR OUTBOARD WILL NOT BE COVERED BY THE APPLICABLE LIMITED WARRANTY, IF THIS PROCEDURE IS NOT FOLLOWED.

PRE-DELIVERY CHECK

Be sure that the product has been checked by an authorized Evinrude dealer before you take delivery.

Limited Warranty

Please refer to the BRP Limited warranty provided to you with this product, the terms and conditions of which, as amended from time to time, are incorporated by reference into the manual.



READ THIS MANUAL BEFORE USING THE OUTBOARD. FAILURE TO FOLLOW THE INSTRUCTIONS AND SAFETY PRECAUTIONS IN THIS MANUAL CAN RESULT IN SERIOUS INJURY OR DEATH. KEEP THIS MANUAL IN A SAFE LOCATION FOR FUTURE REFERENCE.

Product References, Illustrations and Specifications

BRP reserves the right to make changes at any time, without notice, to features, specifications and model availability, and to change any specification or part at any time without incurring any obligation to update older models. The information in the Guide is based on the latest specifications available at the time of publication.

Photographs and illustrations used in this Guide might not depict actual models or equipment but are intended as representative views for reference only.

Certain features of systems discussed in this Guide might not be found on all models in all marketing areas.

Owner's Identification

United States and Canada — At the time of purchase, your Dealer will complete your outboard registration forms. Your portion provides proof of ownership and date of purchase.

Outside United States and Canada — See your Dealer or distributor for details.

Model and Serial Numbers

The model and serial numbers appear on a plate attached to the stern bracket or swivel bracket. Record your outboard's:

Model Number _____

Serial Number _____

Purchase Date _____

Ignition Key Number _____

Stolen Outboards

United States and Canada — Report stolen outboards to your local dealer or distributor.

Outside United States and Canada — Report the theft to the Bombardier Recreational Products distributor where the outboard was registered.

Technical Literature

BRP offers technical literature specifically for your outboard. A service manual, a parts catalog, or an extra Operator's Guide can be purchased from your selling Dealer. For the name and location of the nearest Evinrude Dealer in the United States and Canada visit www.evinrude.com.

CONTENTS

GENERAL SAFETY INFORMATION	8
1 SPECIFICATIONS	10
2 NAMES OF PARTS	12
3 LOCATIONS OF WARNING LABELS	14
4 INSTALLATION	15
1. Mounting the outboard motor on boat	15
2. Installing the remote control devices	18
3. Installing the battery	21
5 PRE-OPERATING PREPARATIONS	22
1. Recommended gasoline types	22
2. Low permeation fuel hose requirement	23
3. EPA pressurized portable fuel tank requirements	24
4. EPA approval primer valve/hose assembly	24
5. Recommended engine oil	25
6. Break-in	26
7. Engine oil warning lamp	27
8. ESG (A device preventing over revolution)	27
6 ENGINE OPERATION	28
Before starting	28
1. Filling the fuel	28
2. Feeding the fuel	30
3. Starting	31
4. Warming up the engine	35
5. Forward and reverse	36
6. Stopping	38
7. Trim angle	39
8. Tilt up, tilt down and shallow water operation	45
9. Shallow water operation	47
7 REMOVING AND CARRYING THE OUTBOARD MOTOR	49
1. Removing the outboard motor	49
2. Carrying the outboard motor	49
3. Storing the outboard motor	49
8 TRAILERING	50
9 ADJUSTMENT	51
1. Steering friction	51
2. Throttle grip	51
3. Remote Control Lever Load	52
4. Trim Tab Adjustment	52
10 INSPECTION AND MAINTENANCE	53
1. Daily inspection	54

2. Periodic inspection	60
3. Off-season storage	65
4. Pre-season check	66
5. Motor submerged in water	66
6. Cold weather precautions	67
7. Checking after striking underwater object	67
11 TROUBLESHOOTING	68
12 TOOL KIT AND SPARE PARTS	71
13 OPTIONAL ACCESSORIES	72
14 PROPELLER TABLE	73
■ Product Warranty Information	74
■ California Emission Control Warranty Statement	77
■ Product Warranty Information	79
■ Product Warranty Information	82
■ Readiness Test	85
■ Frequently Asked Questions	86
■ Change of Address / Change of Ownership	88
■ Confirmation of Receipt	90

INDEX

GENERAL SAFETY INFORMATION

1. SPECIFICATIONS

1

2. NAMES OF PARTS

2

3. LOCATIONS OF WARNING LABELS

3

4. INSTALLATION

4

5. PRE-OPERATING PREPARATIONS

5

6. ENGINE OPERATION

6

7. REMOVING AND CARRYING THE OUTBOARD MOTOR

7

8. TRAILERING

8

9. ADJUSTMENT

9

10. INSPECTION AND MAINTENANCE

10

11. TROUBLESHOOTING

11

12. TOOL KIT AND SPARE PARTS

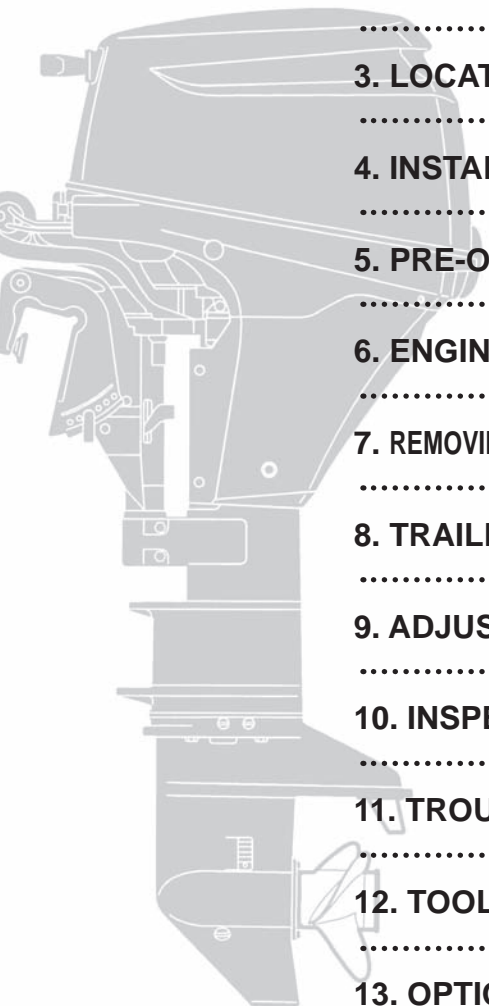
12

13. OPTIONAL ACCESSORIES

13

14. PROPELLER TABLE

14



GENERAL SAFETY INFORMATION

NOTICE : DANGER/WARNING/CAUTION/Note

Before installing, operating or otherwise handling your outboard motor, be sure to thoroughly read and understand this Operator's Guide and carefully follow all of the instructions. Of particular importance is information preceded by the words "DANGER," "WARNING," "CAUTION," and "Note." Always pay special attention to such information to ensure safe operation of the outboard motor at all times.

DANGER

Failure to observe will result in severe personal injury or death, and possibly property damage.

WARNING

Failure to observe could result in severe personal injury or death, or property damage.

CAUTION

Failure to observe could result in personal injury or property damage.

Note

This instruction provides special information to facilitate the use or maintenance of the outboard motor or to clarify important points.

EMERGENCY STOP SWITCH

The Emergency Stop Switch will stall the outboard motor when the stop switch tether is pulled off. This stop switch tether can be attached to the operator of the outboard motor to minimize or prevent injuries from the propeller in case the operator falls overboard.

We highly recommend use of the Emergency Stop Switch tether.

WARNING

Accidental activation of the Emergency Stop Switch (such as the tether being pulled out in heavy seas) could cause passengers to lose their balance and even fall overboard, or it could result in loss of power in heavy seas, strong currents, or high winds. Loss of control while mooring is another potential hazard.

To minimize accidental activation of the Emergency Stop Switch, the 500 mm (20 inch.) stop switch tether is coiled and can extended to a full 1,300 mm (51 inch.).

SAFE OPERATION OF BOAT

As the operator/driver of the boat, you are responsible for the safety of those aboard and those in other boat around yours, and for following local boating regulations. You should be thoroughly knowledgeable on how to correctly operate the boat, outboard motor, and accessories. To learn about the correct operation and maintenance of the outboard motor, please read through this manual carefully. It is very difficult for a person standing or floating in the water to take evasive action should he or she see a power boat heading in his /her direction, even at a slow speed. Therefore, when your boat is in the immediate vicinity of people in the water, the outboard motor should be shifted to neutral and shut off.

WARNING

SERIOUS INJURY IS LIKELY IF A PERSON IN THE WATER MAKES CONTACT WITH A MOVING BOAT, GEAR HOUSING, PROPELLER, OR ANY SOLID DEVICE RIGIDLY ATTACHED TO A BOAT OR GEAR HOUSING.

SERVICING, REPLACEMENT PARTS & LUBRICANTS

We recommend that only an authorized service shop perform service or maintenance on this outboard motor. Be sure to use genuine parts, genuine lubricants, or recommended lubricants.

MAINTENANCE

As the owner of this outboard motor, you should be acquainted with correct maintenance procedures. It is the operator's responsibility to perform all safety checks and to ensure that all lubrication and maintenance instructions are complied with for safe operation. Please comply with all instructions concerning lubrication and maintenance. You should take the engine to an authorized dealer or service shop for periodic inspection at the prescribed intervals. Correct periodic maintenance and proper care of this outboard motor will reduce the chance of problems and limit overall operating expenses.

MOUNTING

Outboard motor mounting must be performed by trained service person(s) using lift or hoist with sufficient capacity.

SPECIFICATIONS

10

1

Item	MODEL	R	TE	E
Overall Length	mm (in)	975 (38.4)		590 (23.2)
Overall Width	mm (in)	354 (13.9)		320 (12.6)
Overall Height S-L-XL	mm (in)	1,035 (40.7) · 1,162 (45.7) · 1,289 (50.7)		
Transom Height S-L-XL	mm (in)	435 (17.1) · 562 (22.1) · 689 (27.1)		
Weight	S Kg (lb)	37.0 (81.5)	40.0 (88.0)	40.0 (88.0)
	L Kg (lb)	38.0 (84.0)	41.0 (90.5)	41.0 (90.5)
	XL Kg (lb)	39.5 (87.0)	42.5 (93.5)	42.5 (93.5)
Output	kW (Hp)	7.2 (9.8)		
Max. Operating Range	rpm	5,000-6,000		
Idle Speed in Forward Gear	rpm	900		
Idle Speed in Neutral Gear	rpm	950		
Engine Type		4-Stroke		
Number of Cylinder		2		
Bore × Stroke	mm (in)	55 × 44 (2.17 × 1.73)		
Piston Displacement	mL (Cu in)	209 (12.8)		
Exhaust System		Through hub exhaust		
Cooling System		Water cooling		
Engine Lubrication		Trochoid pump		
Starting System		Manual	Electric starter motor *	
Ignition System		Flywheel Magneto C.D. ignition		
Spark Plug		NGK DCPR6E		
Trim Position		6	3	
Engine Oil		NMMA FC-W certified 10W-30 or API SF, SG, SH, SJ, SL or SM, 10W-30/40, Approx. 800mL		
Gear Oil		Genuine Gear Oil or API GL5, SAE #80-90, Approx. 320mL		
Fuel		Unleaded regular gasoline : Pump posted 87 Octane (research octane rating of 91)		
Fuel Tank Capacity	L (US gal)	12 (3.17)		
Gear Reduction Ratio		2.08 (13 : 27)		
Emission Control System		Engine modification (EM)		
Operator Sound Pressure (ICOMIA 39/94) dB(A)		77.2		
Hand Vibration Level (ICOMIA 38/94) m/sec ²		2.2	—	

* : with manual ※ Specifications subject to change without notice.

10

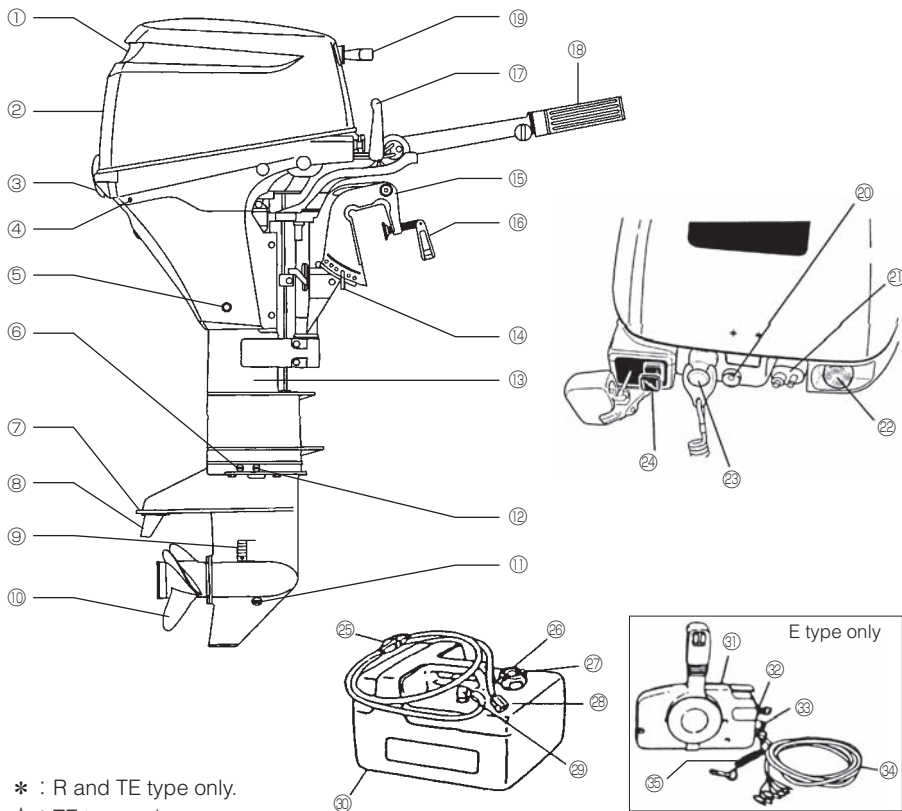
Item		MODEL	TP	P
Overall Length	mm (in)		975 (38.4)	590 (23.2)
Overall Width	mm (in)		354 (13.9)	320 (12.6)
Overall Height S-L-XL	mm (in)		1,035 (40.7) · 1,162 (45.7) · 1,289 (50.7)	
Transom Height S-L-XL	mm (in)		435 (17.1) · 562 (22.1) · 689 (27.1)	
Weight	S Kg (lb)		46.5 (102.5)	46.0 (101.4)
	L Kg (lb)		47.5 (104.7)	47.0 (103.6)
	XL Kg (lb)		49.0 (108)	48.5 (106.9)
Output	kW (Hp)		5.9 (8)	7.2 (9.8)
Max. Operating Range	rpm		5,000-6,000	
Idle Speed in Forward Gear	rpm		900	
Idle Speed in Neutral Gear	rpm		950	
Engine Type			4-Stroke	
Number of Cylinder			2	
Bore × Stroke	mm (in)		55 × 44 (2.17 × 1.73)	
Piston Displacement	mL (Cu in)		209 (12.8)	
Exhaust System			Through hub exhaust	
Cooling System			Water cooling	
Engine Lubrication			Trochoid pump	
Starting System			Electric starter motor *	
Ignition System			Flywheel Magneto C.D. ignition	
Spark Plug			NGK DCPR6E	
Trim Position			6	3
Engine Oil			NMMA FC-W certified 10W-30 or API SF, SG, SH, SJ, SL or SM, 10W-30/40, Approx. 800mL	
Gear Oil			Genuine Gear Oil or API GL5, SAE #80-90, Approx. 320mL	
Fuel			Unleaded regular gasoline : Pump posted 87 Octane (research octane rating of 91)	
Fuel Tank Capacity	L (US gal)		12 (3.17)	
Gear Reduction Ratio			2.08 (13 : 27)	
Emission Control System			Engine modification (EM)	
Operator Sound Pressure (ICOMIA 39/94) dB(A)			7.7	
Hand Vibration Level (ICOMIA 38/94) m/sec ²			2.2	—

* : with manual * Specifications subject to change without notice.

NAMES OF PARTS

R, TE, E

2

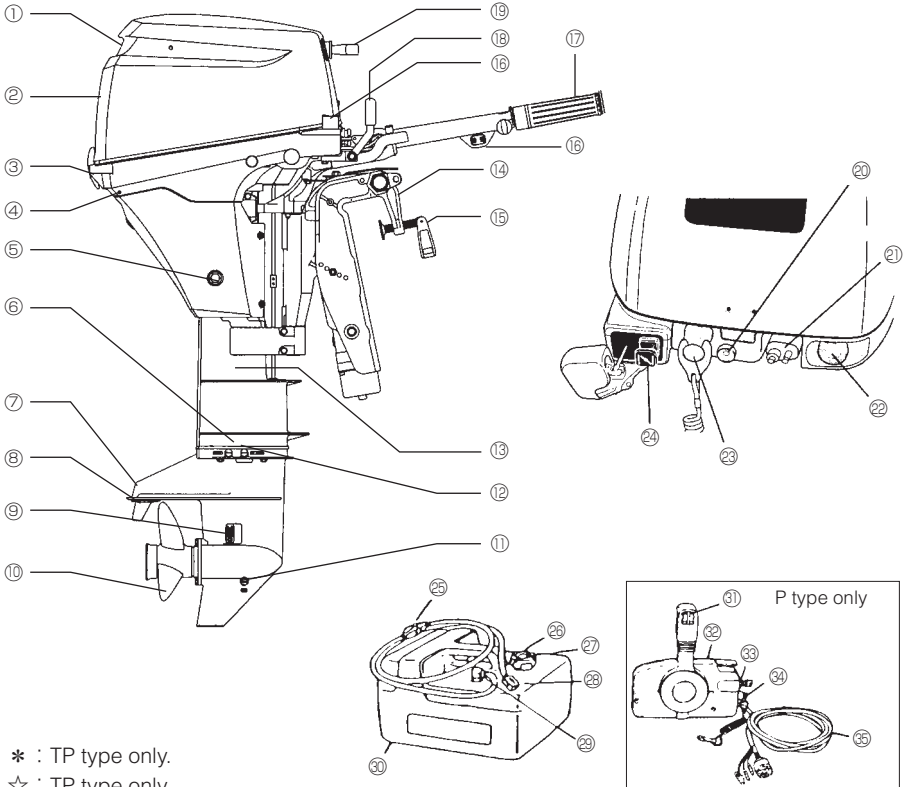


* : R and TE type only.

☆ : TE type only.

- | | | |
|----------------------------|-----------------------|---------------------------|
| ① Tilt Handle | ⑬ Drive Shaft Housing | ⑳ Primer Bulb |
| ② Top Cowl | ⑭ Thrust Rod | ㉑ Fuel Tank Cap |
| ③ Cowl Latch | ⑮ Clamp Bracket | ㉒ Air Vent Screw |
| ④ Cooling Water Check Port | ⑯ Clamp Screw | ㉓ Fuel Connector |
| ⑤ Oil Drain Bolt | ⑰ * Shift Lever | ㉔ Fuel Pick up Elbow |
| ⑥ Water Plug | ⑱ * Throttle Grip | ㉕ Fuel Tank |
| ⑦ Anti Ventilation Plate | ⑲ Starter Handle | ㉖ Remote Control Box |
| ⑧ Anode / Trim Tab | ㉔ Warning Lamp | ㉗ Main Switch |
| ⑨ Water Inlet | ㉑ Fuel Connector | ㉘ Stop Switch |
| ⑩ Propeller | ☆ Starter Switch | ㉙ Cord Assembly |
| ⑪ Oil Plug (Lower) (Fill) | ㉓ Stop Switch | ㉚ Engine Stop Switch Cord |
| ⑫ Oil Plug (Upper) (Level) | ㉔ * Choke Knob | |

TP, P



* : TP type only.
 ☆ : TP type only.

- ① Tilt Handle
- ② Top Cowl
- ③ Cowl Latch
- ④ Cooling Water Check Port
- ⑤ Oil Drain Bolt
- ⑥ Water Plug
- ⑦ Anti Ventilation Plate
- ⑧ Anode / Trim Tab
- ⑨ Water Inlet
- ⑩ Propeller
- ⑪ Oil Plug (Lower) (Fill)
- ⑫ Oil Plug (Upper) (Level)

- ⑬ Drive Shaft Housing
- ⑭ Clamp Bracket
- ⑮ Clamp Screw
- ⑯ * Power tilt switch
- ⑰ * Throttle Grip
- ⑱ * Shift Lever
- ⑲ Starter Handle
- ⑳ Oil warning Lamp
- ㉑ Fuel Connector
- ㉒ ☆ Starter Switch
- ㉓ Stop Switch
- ㉔ * Choke Knob

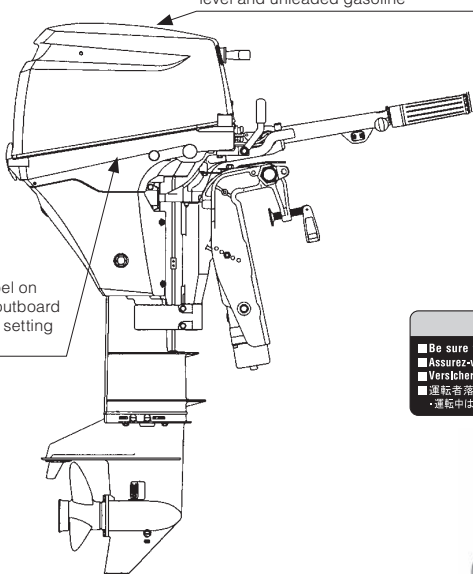
- ㉕ Primer Bulb
- ㉖ Fuel Tank Cap
- ㉗ Air Vent Screw
- ㉘ Fuel Connector
- ㉙ Fuel Pick up Elbow
- ㉚ Fuel Tank
- ㉛ Remote Control Box
- ㉜ Main Switch
- ㉝ Stop Switch
- ㉞ Cord Assembly
- ㉟ Engine Stop Switch Cord

LOCATIONS OF WARNING LABELS

Locations of warning labels

Warning label regarding owner's manual, top cowl, engine stop switch, engine oil level and unleaded gasoline

3



Warning label on position of outboard motor when setting down

WARNING 警告

Read owner's manual very carefully before operating this motor. (Use special attention to safety cautions.)
 ■ Lire très soigneusement le Manuel d'entretien avant de démarrer ce moteur. Faire très attention aux mesures de sécurité.
 ■ Beachtungsvollung vor der Betriebsnahme sorgfältig lesen. Beachten Sie besonders die Sicherheitsvorkehrungen!
 ● 使用前に必ず取扱説明書をお読み下さい。

Never remove or replace the motor cover while the engine is running.
 ■ Ne jamais déposer ou remettre le capot du moteur quand le moteur tourne.
 ■ Während des Betriebs niemals die Motorhaube entfernen!
 ● エンジン運転中はモーターカバーを外さないで下さい。

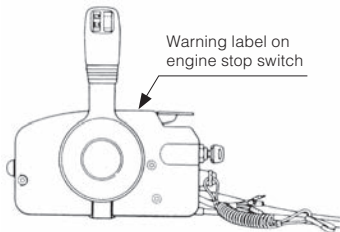
Be sure to connect the emergency stop line to your wrist.
 ■ Assurez-vous que le cordon de sécurité est bien attaché à votre poignet.
 ■ Versichern Sie sich, dass die Notstopleine an Ihrem Handgelenk befestigt ist.
 ● 運転者落水時暴走の危険あり
 ・運転中はエンジンストップスイッチコードを身体の一部に必ずつけて下さい。

Check oil level before starting.
 ■ Geländ vor dem Motorstart überprüfen.
 ■ Vérifier le niveau d'huile avant de démarrer.
 ● 油切れによるエンジン故障の危険あり。

Unleaded fuel only.
 ■ Nur unverbleites Benzin verwenden.
 ■ Essence sans plomb uniquement.
 ● 無鉛ガソリンを使用して下さい。

WARNING 警告

Be sure to connect the emergency stop line to your wrist.
 ■ Assurez-vous que le cordon de sécurité est bien attaché à votre poignet.
 ■ Versichern Sie sich, dass die Notstopleine an Ihrem Handgelenk befestigt ist.
 ● 運転者落水時暴走の危険あり
 ・運転中はエンジンストップスイッチコードを身体の一部に必ずつけて下さい。



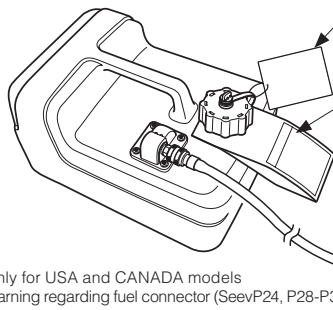
Warning label on engine stop switch

↑up 保管・運搬時はこちら側を上において下さい
 This side up for transport or storage.

CAUTION

When opening or closing fuel tank cap, be sure to observe warning note on fuelling.

Only for USA and CANADA models
 Warning regarding combination of fuel tank and primer bulb ass'y.



Only for USA and CANADA models
 When opening or closing fuel tank cap, be sure to observe warning note on fuelling

Only for USA and CANADA models
 Warning regarding fuel tank cap (See P24, P28-P31)

Only for USA and CANADA models
 Warning regarding fuel connector (See P24, P28-P31).

STOP

WARNING - GASES MAY BE UNDER PRESSURE!
 Do not touch the fuel tank cap or primer bulb until the fuel tank pressure has been released. Do not touch the fuel tank cap or primer bulb until the fuel tank pressure has been released.

1. Turn the fuel tank cap or primer bulb clockwise to the "LOCK" position.
 2. Turn the fuel tank cap or primer bulb counter-clockwise to the "RELEASE" position.
 3. Turn the fuel tank cap or primer bulb clockwise to the "LOCK" position.

DO NOT TOUCH THE FUEL TANK CAP OR PRIMER BULB UNTIL THE FUEL TANK PRESSURE HAS BEEN RELEASED.

DO NOT TOUCH THE FUEL TANK CAP OR PRIMER BULB UNTIL THE FUEL TANK PRESSURE HAS BEEN RELEASED.

Individual symbol marks means as described below.

Warning/ Caution 	Read manual thoroughly. 	Check oil level. 	Use unleaded gasoline only. 	Lay as indicated. 	Flammable - Keep Fire Away.
----------------------	-----------------------------	----------------------	---------------------------------	-----------------------	---------------------------------

INSTALLATION

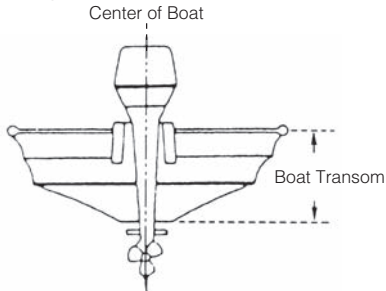
1. Mounting the outboard motor on boat

WARNING

Most boats are rated and certified in terms of their maximum allowable horsepower, as shown on the boat's certification plate. Do not equip your boat with an outboard motor that exceeds this limit. If in doubt, contact your dealer. Do not operate the outboard motor until it has been securely mounted on the boat in accordance with the instructions below.

Position ... Above keel line

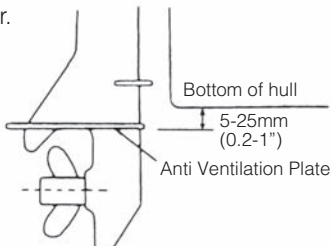
Set engine at center of boat.



Transom matching

Be sure that the anti ventilation plate of the outboard motor is below the water surface when running with the throttle wide open.

If the above condition cannot be met due to the shape of the bottom of your boat, please consult your authorized dealer.



CAUTION

- Before beginning the running test, check that the boat with maximum capacity loading floats on the water in a proper attitude. Check the position of water surface on the driveshaft housing. If the water surface is near the bottom cowling, in high waves, water may enter the engine cylinders.
- Incorrect outboard motor mounting height or existence of underwater object(s), such as hull bottom design, bottom surface conditions or underwater accessories, can cause production of water spray possibly reaching the engine through an opening of the bottom cowling during cruising. Exposing engine to such conditions for extended periods can lead to severe engine damage.

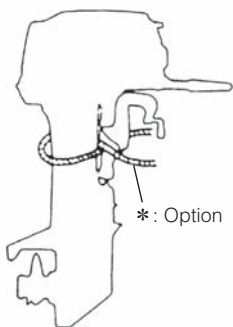
R, TE, E type

① To attach the outboard motor to the boat, tighten the clamp screws by turning their handles.

Also, tighten the bolts. Secure the outboard motor with a rope to prevent loss overboard.

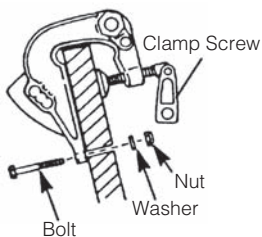
Note

The rope is not included in the standard accessories.

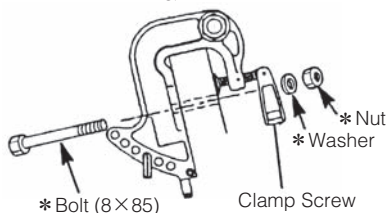


* : Option

E



R & TE



* : Option

Note

It is recommended to install upper mounting bolts with bolt head at inside surface of transom. Bolts with threaded end at inside surface of transom can cause personal injury.

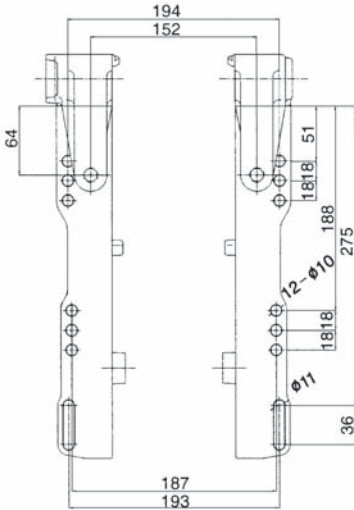
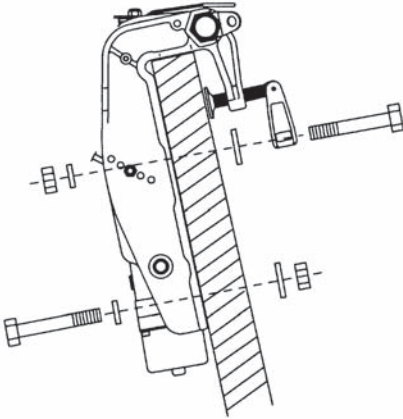
Notes

1. Apply sealing agent such as silicone sealed between the bolts and transom board holes before tightening the bolts.
2. Be sure to tighten mounting bolt nuts to the specified torque. (30 Nm(3.0kgf)13ft·lb)

! WARNING

- Mounting outboard motor without following this manual can lead to unsafe conditions such as poor maneuverability, going out of control or fire disaster.
- Loose clamp screws and/or mounting bolts can lead to coming off or displacement of outboard motor, possibly going out of control or causing serious personal injury. Be sure that fasteners are tightened to the specified torque (30 Nm (3.0kgf)13ft·lb). Check fasteners for tightness from time to time.
- Be sure to use outboard mounting fasteners included in outboard motor package delivered or their equivalents in terms of size, material, quality and strength. Tighten fasteners to the specified torque (30 Nm (3.0kgf)13ft·lb). Test cruise to check if fasteners are tightened securely.
- Outboard motor mounting must be performed by trained service person(s) using lift or hoist with sufficient capacity.

TP, P type (Power tilt model)



Note

It is recommended to install upper mounting bolts with bolt head at inside surface of transom. Bolts with threaded end at inside surface of transom can cause personal injury.

Notes

1. Apply sealing agent such as silicone sealed between the bolts and transom board holes before tightening the bolts.
2. Be sure to tighten mounting bolt nuts to the specified torque. (30 Nm(3.0kgf)13ft-lb)

! WARNING

- Mounting outboard motor without following this manual can lead to unsafe conditions such as poor maneuverability, going out of control or fire disaster.
- Loose clamp screws and/or mounting bolts can lead to coming off or displacement of outboard motor, possibly going out of control or causing serious personal injury. Be sure that fasteners are tightened to the specified torque (30 Nm (3.0kgf)13ft-lb). Check fasteners for tightness from time to time.
- Be sure to use outboard mounting fasteners included in outboard motor package delivered or their equivalents in terms of size, material, quality and strength. Tighten fasteners to the specified torque (30 Nm (3.0kgf)13ft-lb). Test cruise to check if fasteners are tightened securely.
- Outboard motor mounting must be performed by trained service person(s) using lift or hoist with sufficient capacity.

2. Installing the remote control devices

! WARNING

When using other than Evinrude's genuine remote control box, **DO NOT** select the one without neutral safety switch that prevents in-gear start.

Use of remote control box without neutral safety switch can allow start of engine with gear at other than neutral shift, potentially leading passengers to falling or causing passenger to be thrown overboard.

4

It is recommended that you consult with your authorized dealer for installation and adjustment of the remote control device.

■ Installation of the Remote Control Cables (Box side) :

Follow the instruction manual provided with the remote control.

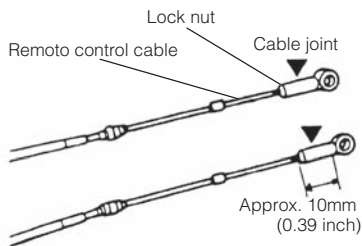
■ Installation of the Remote Control on your boat :

Follow the instruction manual provided with the remote control.

■ Installation of the Remote Control Cable (engine side) and the Cord Assembly (Wiring Harness) :

① Fitting of connecting parts to cables

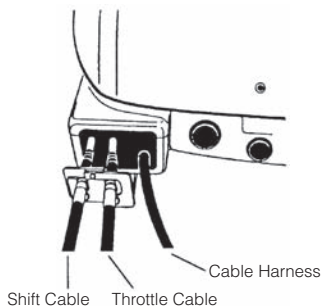
Screw the tip of the remote control cable into the cable joint up to approx. 10 mm (0.39 inch), then lock them with a lock nut. Apply grease to the hole of the cable joint.



② Fitting of Remote Control Cable to Engine.

○ Note

Put the control lever in the Neutral position and the Free Accel lever in the fully closed position.



! CAUTION

Be careful not to loop remote control cables to diameter of 406 mm (16 inches) or less.

○ Note

Confirm the engine shifts correctly when the shift lever is placed in Forward and Reverse position. also confirm the throttle valve is closed at idle, in Neutral, Forward, and Reverse. Confirm the throttle valve is fully open when in Forward at the wide open position.

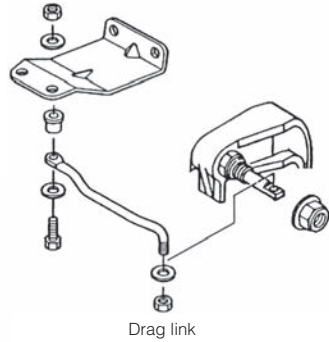
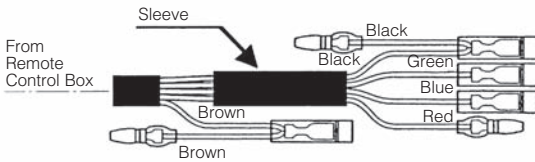
③ Connecting the Cord assembly (Wiring Harness)

Pass the Cord assembly from the Remote control box through the hole in the Lower motor cover and cover the wire ends with the Sleeve (provided in a tool bag) and then connect the electric terminals according to the drawing below.

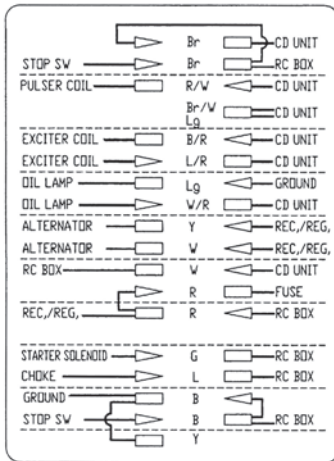
! WARNING

Do not disconnect cord ass'y when engine is in operation, or engine will go out of control.

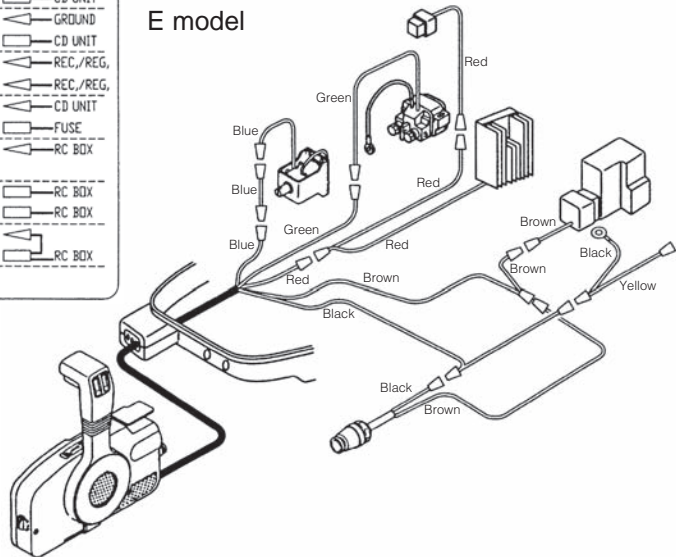
E model



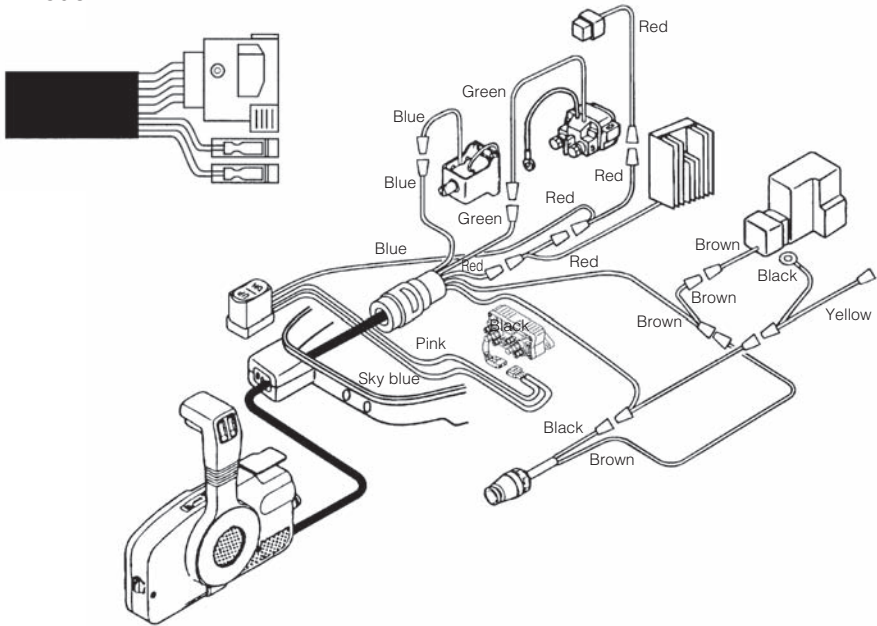
4



E model



P model



4

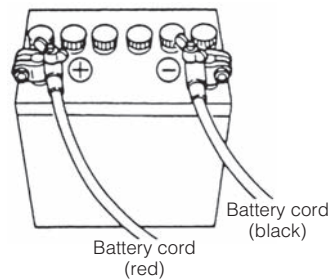
⚠ CAUTION

- Make sure that the battery cords do not get stuck between the outboard motor and boat when turning, etc.
- The starter motor may fail to operate if the cords are incorrectly connected.
- Be sure to correctly connect the (+) and (-) cords. If not, the charging system will be damaged.
- Do not disconnect the battery cords from battery while the engine is operating, the electrical parts could be damaged.
- Always use a fully charged battery.

⚠ CAUTION

Do not use a battery that is not recommended. Use of a battery not recommended can lead to poor performance of, and / or damage to, the electrical system.

- ② Connect the positive cord (+) to the positive terminal (+) of the battery, and then connect the negative cord (-). When disconnecting the battery always remove the negative cord (-) first. After connecting the positive terminal (+), securely place a cap on it to prevent short circuits.



3. Installing the battery

- ① Place the battery box in a convenient position away from water spray. Securely fasten both the box and the battery so they do not shake loose.

Note

Minimum recommended battery : 12V, 70AH or 12V, 40AH
Specifications and features of batteries vary among the manufacturers. Consult the manufacturer for details.

WARNING

Battery generates explosive hydrogen gas. Be sure to:

- Charge the battery in a well-ventilated place.
- Place the battery away from any source of fire, sparks and open flames such as burners or welding equipment.
- Do not smoke when handling the battery.
- Do not smoke near the battery when the battery is charging.

WARNING

Battery electrolyte contains sulfuric acid and thus is hazardous, causing a burn if it comes in contact with your skin, or poisonous if swallowed.

KEEP BATTERY AND ELECTROLYTE AWAY FROM REACH OF CHILDREN

When handling the battery, be sure to:

- Read all warnings shown on the battery case
- Prevent electrolyte from coming in contact with any part of your body. Contact can cause serious burn or, if it comes in contact with your eye, loss of sight. Use safety glasses and rubber gloves.

In case battery electrolyte comes in contact with:

- Skin, flush thoroughly with water.
- Eye, flush thoroughly with water, and then seek immediate medical treatment.

In case battery electrolyte is swallowed:

- Seek immediate medical treatment.

PRE-OPERATING PREPARATIONS

DANGER

Consult an authorized dealer for details on handling gasoline, if necessary.

Gasoline and its vapors are very flammable and can be explosive.

When carrying a fuel tank containing gasoline:

- Close the air vent screw of fuel tank cap, or gasoline vapor will be emitted through the air vent screw, creating a fire hazard.
- Do not smoke.

When or before refueling:

- Stop the engine, and do not start the engine during refueling.
- Do not smoke.
- Be careful not to overfill fuel tank. Wipe up any spilled gasoline immediately.

When or before cleaning the gasoline tank:

- Dismount fuel tank from the boat.
- Place the fuel tank away from every source of ignition, such as sparks or open flames.
- Do the work outdoors or in a well ventilated area.
- Wipe off gasoline well immediately if spilt.

After cleaning gasoline tank:

- Wipe off gasoline well immediately if spilt.
- If the fuel tank is disassembled for cleaning, reassemble carefully. Imperfect assembly may cause a fuel leak, possibly leading to fire or explosion.
- Dispose aged or contaminated gasoline in accordance with local regulations.

1. Recommended gasoline types

CAUTION

Use of improper gasoline can damage your engine. Engine damage resulting from the use of improper gasoline is considered misuse of the engine, and damage caused thereby will not be covered under the limited warranty.

FUEL RATING

Evinrude engines will operate satisfactorily when using a major brand of unleaded gasoline meeting the following specifications:

USA and Canada - having a posted pump Octane Rating of 87 (R +M)/2 minimum. Premium gasoline (92 [R+M]/2 Octane) is also acceptable. Do not use leaded gasoline.

Outside USA and Canada - Use unleaded gasoline with declared octane rating of 90 RON or over. Use of premium gasoline of 98 RON is also allowed. Use of name-brand leaded gasoline may be allowed only if unleaded gasoline is not available.


GASOLINES CONTAINING ALCOHOL

The fuel system components on your Evinrude engine will withstand up to 10% alcohol content in the gasoline. But if the gasoline in your area contains either methanol (methyl alcohol) or ethanol (ethyl alcohol), you should be aware of certain adverse effects that can occur. These adverse effects are more severe with methanol. Increasing the percentage of alcohol in the fuel can also worsen these adverse effects. Some of these adverse effects are caused because

the alcohol in the gasoline can absorb moisture from the air, resulting in a separation of the water/alcohol from the gasoline in the fuel tank.

These may cause increased:

- Corrosion of metal parts
- Deterioration of rubber or plastic parts
- Fuel permeation through rubber fuel lines
- Starting and operating difficulties

 WARNING

Fuel leakage can cause fire or explosion, potentially leading to severe injury or loss of life. Every fuel system part should be checked periodically, and especially after long term storage, for fuel leak, change of hardness of rubber, expansion and/or corrosion of metals. In case any indication of fuel leakage or degradation of fuel part is found, replace relevant part immediately before continuing operation.

If the use of gasoline containing alcohol is inevitable, or presence of alcohol is suspected in the gasoline, it is recommended to add a filter that has water separating capability, and check the fuel system for leaks and mechanical parts for corrosion and abnormal wear more frequently.

And, in case any of such abnormality is found, discontinue the use of such gasoline and contact our dealer immediately.


Damages resulting from the use of gasolines that contain alcohol are not covered under the limited warranty.

Fuel tank capacity :


12 liters (3.17 U.S. gal)

Fuel Tank : When using a fixed fuel tank in place of genuine fuel tank, it is recommended to select a one with a

structure facilitating interior cleaning.

 WARNING

Do not fill the fuel tank over capacity. The rise of gasoline temperature may cause gasoline to expand which, if overfilled, may leak through air vent screw when it is open. Leaking gasoline is a dangerous fire hazard.

 CAUTION

When operating a Evinrude engine on gasoline containing alcohol, storage of gasoline in the fuel tank for long periods should be avoided. Long periods of storage, common to boats, create unique problems. In cars, alcohol blend fuels normally are consumed before they can absorb enough moisture to cause trouble, but boats often sit idle long enough for phase separation to take place. In addition, internal corrosion may take place during storage if alcohol has washed protective oil films from internal components.

2. Low permeation fuel hose requirement

EQUIPPED FOR UNITED STATES AND CANADA MODEL

In the United States, the U.S. Environmental Protection Agency (EPA) require "lowpermeability" fuel hose, fuel primer bulbs, portable fuel tanks and fuel caps to be used with outboard engines.

3. EPA pressurized portable fuel tank requirements

EQUIPPED FOR UNITED STATES AND CANADA MODEL

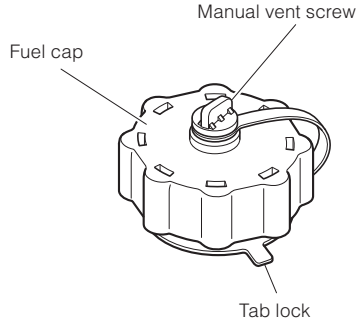
The Environmental Protection Agency (EPA) required portable fuel systems that are produced after January 1, 2011 for use with outboard engines to remain fully sealed (pressurized) up to 34.4 kPa (5.0 psi). These tanks may contain the following:

- An air inlet that opens to allow air to enter as the fuel is drawn out of the tank.
- An air outlet that opens (vents) to the atmosphere if pressure exceeds 34.4 kPa (5.0 psi). A hissing noise may be heard as the tank vents to the atmosphere. This is normal.
- When installing the fuel tank cap, turn the cap to the right until you hear two clicks. This signals that the fuel cap is fully seated. A built-in device prevents overtightening.
- The fuel tank has a manual vent screw which should be closed for transportation and full open for operation and cap removal.

Since sealed fuel tanks are not openly vented, they will expand and contract as the fuel expands and contracts during heating and cooling cycles of the outside air. This is normal.

5

REMOVING THE FUEL CAP



IMPORTANT: Contents may be under pressure. Rotate the fuel cap 1/4 turn to relieve pressure before opening.

- ① Open the manual vent screw on top of the fuel cap completely.
- ② Turn the fuel cap until it contacts the tab lock.
- ③ Press the tab lock and turn to remove cap.

4. EPA approval primer valve/hose assembly

EQUIPPED FOR UNITED STATES AND CANADA MODEL

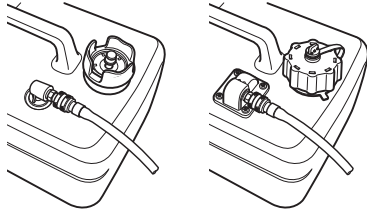
Evinrude adopts Primer bulb/hose assembly approved by the Environment Protection Agency (EPA).

Please use the EPA approved primer bulb/hose assembly with the identification mark on the fuel connector.



⚠ CAUTION

Be sure to use EPA approved tank and EPA approved primer bulb hose assembly as a set. Confirm shapes of EPA approved tank and regular tank.



Except for U.S. model (regular tank)

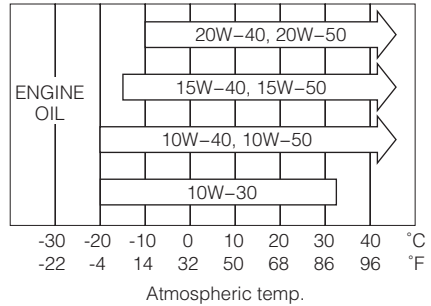
For U.S. and Canada model (EPA approved tank)

5. Recommended engine oil

Evinrude/Johnson Ultra 4-stroke outboard oil is recommended for use in Evinrude 4-stroke outboards.

If Evinrude/Johnson Ultra 4-stroke outboard oil is not available, use high quality SAE 10E-30, or 10W-40 oil with the NMMA certification FC-W, or with API rating SF, SG, SH, SJ, SI, SM.

Select the appropriate viscosity oil based on ambient operating temperature.



⚠ CAUTION

The engine oil is drained for shipping from the factory. Be sure to fill the engine to the proper level before starting engine. (To properly fill the engine with oil follow the instructions in section 9 of this manual)

Note

Use of engine oils that do not meet these requirements will result in reduced engine life, and other engine problems.

6. Break-in

Your new outboard motor and lower unit require break-in for the moving components according to the conditions described in the following time table.

CAUTION

Operating the outboard motor without break-in can shorten service life of the product.

If any abnormality is experienced during the break-in:

- Discontinue the operation immediately.
- Have the dealer check the product and take proper action(s) if necessary.

	1-10min	10min-2hrs	2-3hrs	3-10hrs	After 10hrs
Throttle Position	Idle	Less than 1/2 throttle	Less than 3/4 throttle	3/4 throttle	Full throttle available
Speed		Approx. 3,000 rpm max	Full throttle run allowed for 1 min every 10 min	Approx. 4,000 rpm. Full throttle run allowed for 2 min every 10 min	

Note

Proper break-in allows outboard motor to deliver it full performance for longer service life.

DANGER

Do not operate the outboard motor in closed area or area with no forced ventilation.

Exhaust gas emitted by this outboard motor contains carbon monoxide that will cause death if inhaled continuously. Inhaling the gas initially causes symptoms such as feeling of sickness, drowsiness and headache.

During operation of the outboard motor:

- Keep peripheral area well ventilated.
- Always attempt to stay on the windward side of emission.

7. Engine oil warning lamp

Oil pressure is required to lubricate internal engine parts.

When the warning lamp (Red) is off, it indicates that oil pressure is present.

Remark : When engine is first started, the red light will turn on for several seconds to confirm that it is working and then turn off.

CAUTION

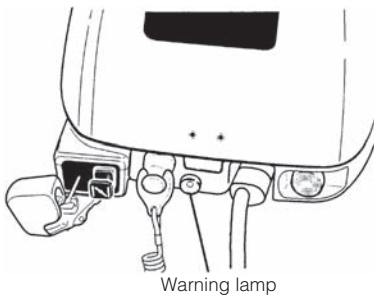
Never run the engine if the warning lamp is on or blinking on and off.

When the warning lamp is on or blinking on and off, as an additional alert of the low oil pressure condition, the engine will run rough and not exceed 3,000 rpm;

*Stop the engine immediately and check the engine oil level.

If the oil level is lower than the appropriate level : Replenish engine oil.

If the oil level is within the appropriate level : Consult with your dealer.



8. ESG (A device preventing over revolution)

ESG is a device to prevent over revolution of the engine (more than approximately 6,250 rpm).

If you sense that the ESG is activated return to shore at a reduced speed (rpm).

Possible causes of ESG activation are : Worn, broken, bent propeller. Slipping propeller rubber, Making sharp turns at high speeds.

Note

If the engine speed drops frequently after restarting the engine, please contact your dealer.

ENGINE OPERATION

Before starting

CAUTION

The engine oil is drained for shipping from the factory. Be sure to fill the engine to the proper level before starting engine. (To properly fill the engine with oil follow the instructions in section 10 of this manual)

CAUTION

Before starting engine for the first time after reassembling engine or off-season storage, disconnect stop switch lock and pull the starter handle completely out approximately 10 times in order to prime the oil pump.

1. Filling the fuel

DANGER

Consult an authorized dealer for details on handling gasoline, if necessary.

Gasoline and its vapors are very flammable and can be explosive.

When carrying a fuel tank containing gasoline:

- Close the fuel tank cap and air vent screw of fuel tank cap, or gasoline vapor will be emitted through the air vent screw, creating a fire hazard.
- Do not smoke.

When or before refueling:

- Stop the engine, and do not start the engine during refueling.
- Do not smoke.
- Be careful not to overfill fuel tank. Wipe up any spilled gasoline immediately.

When or before cleaning the gasoline tank:

- Dismount fuel tank from the boat.
- Place the fuel tank away from every source of ignition, such as sparks or open flames.
- Do the work outdoors or in a well ventilated area.
- Wipe off gasoline well immediately if spilt.

After cleaning gasoline tank:

- Wipe off gasoline well immediately if spilt.
- If the fuel tank is disassembled for cleaning, reassemble carefully. Imperfect assembly may cause a fuel leak, possibly leading to fire or explosion.
- Dispose aged or contaminated gasoline in accordance with local regulations.

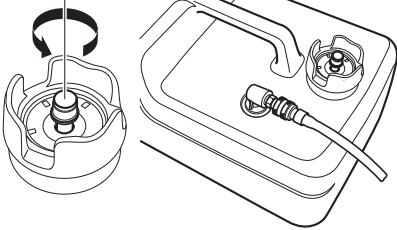
WARNING

When opening fuel tank cap, be sure to follow the procedure described below. Fuel could blast out through the fuel tank cap in case the cap is loosened by using another procedure when internal pressure of fuel tank is raised by heat from sources such as engine or sun light.

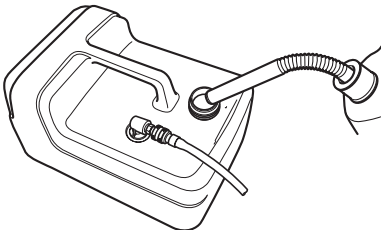
Except for USA and Canada model

- ① Full open the air vent screw on the tank cap and release internal pressure.

Full open the Air vent screw



- ② Open the fuel tank cap slowly.
- ③ Fill the fuel carefully not to overflow.

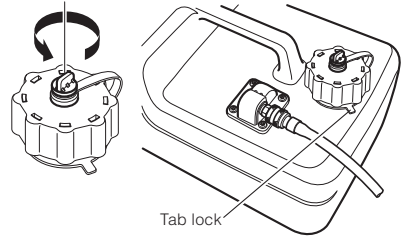


- ④ After filling the tank, close the tank cap.

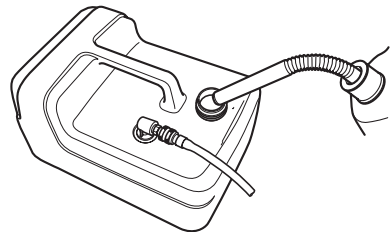
For USA and Canada model

- ① Full open the air vent screw on the tank cap and release internal pressure.

Full open
Air vent screw



- ② Loosen the tank cap until it contacts the tab lock and release internal pressure completely. After that, press down the tab lock and open the tank cap.
- ③ Fill the fuel carefully not to overflow.

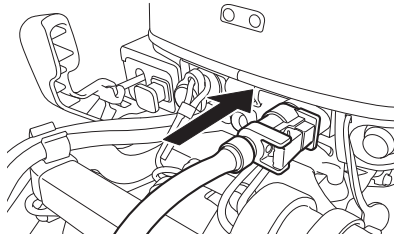


- ④ After filling the tank, close the tank cap until two clicks sound is heard.

2. Feeding the fuel

Except for USA and Canada model

- ① Full open the air vent screw on the tank cap.
- ② Open the fuel tank cap slowly and release internal pressure completely. After that, close the fuel tank cap.
- ③ Connect the fuel connector to the engine and squeeze primer bulb until it becomes stiff to feed fuel to carburetor. Direct arrow mark upward when priming.



Engine side



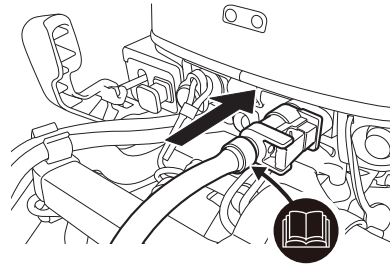
Fuel tank side

For USA and Canada model

- ① Full open the air vent screw on the tank cap.
- ② Loosen the tank cap until contacts the tab lock and release internal

pressure completely. After that, close the tank cap. until two click sound is heard.

- ③ Connect the fuel connector to the engine and squeeze primer bulb until it becomes stiff to feed fuel to carburetor. Direct arrow mark upward when priming.



Engine side



Fuel tank side

⚠ CAUTION

When using EPA approval fuel tank, only use a primer bulb/hose assembly that has a Fuel Demand Valve installed in the fuel hose or a sealing mechanism in the fuel connector as shown below. (FDV and fuel connector that has a sealing mechanism prevent pressurized fuel from entering the engine and causing a fuel system overflow or possible fuel spillage.)

FDV in fuel hose



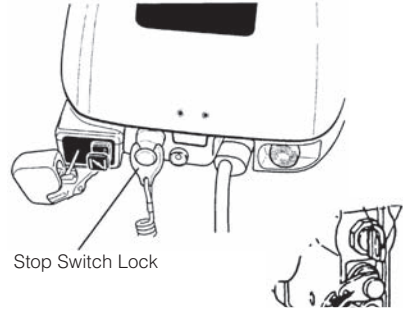
Sealing mechanism in fuel connector



Do NOT use a primer bulb/hose assembly that does not contain a Fuel Demand Valve or a sealing mechanism as shown below: otherwise overflow of the fuel system or fuel spillage may occur.



3. Starting

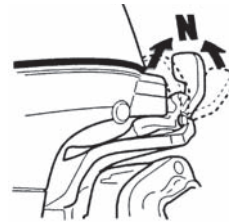


Stop Switch Lock

R, TE and TP type

- ① Place the shift lever in the Neutral position.

Be sure that the shift is in Neutral when starting the engine. This model is provided with start in gear protection.



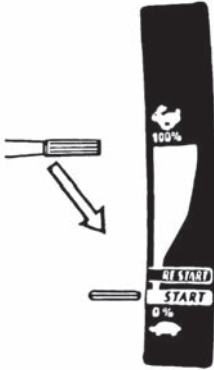
⚠ CAUTION

If the engine starts in gear, do not use it. Contact an authorized dealer.

○ Note

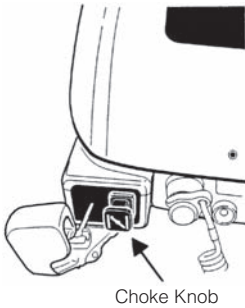
Start-in-gear protection prevents engine from starting at other than neutral shift. In-gear starting of engine will move the boat immediately, potentially leading to falling down or causing passenger(s) to be thrown overboard.

- ② Set the throttle grip to "START" position.



6

- ③ Pull the choke knob fully.



○ Note

Choke is not necessary when the engine is warm. Set the throttle grip to "RE-START" position.

○ Note

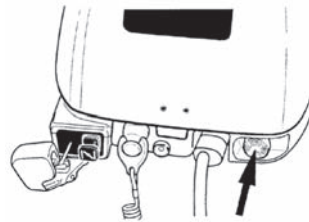
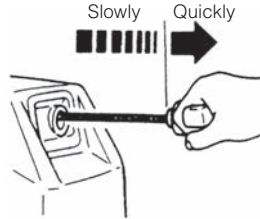
If engine does not start with 4 or 5 times starting operation, push the knob back and restart.

R type

- ④ Pull the starter handle slowly until

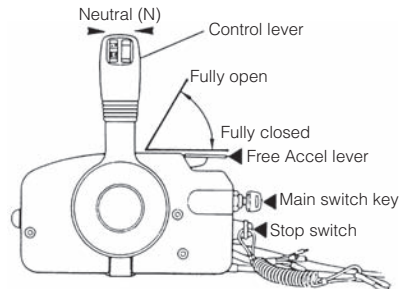
you feel engagement, keep pulling till you feel less resistance. Then pull it quickly. Repeat if necessary until started.

- ⑤ When starting the engine, push the choke knob back.



TE and TP type

- ④ Push the starter switch button.
- ⑤ Release the button when the engine has started.
- ⑥ When starting the engine, push the choke knob back.



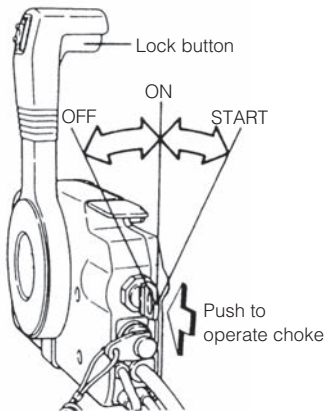
E and P type

- ④ Insert the main switch key.
- ⑤ Set the control lever in the Neutral position.
- ⑥ Raise the Free accel lever a little (both of cold engine and warm engine).
- ⑦ Turn the main switch key to "START" position. Then, continuously push the key to operate the choke.

Note

Choke operation is not necessary if the engine is warm.

- ⑧ Stop pushing the key when the engine has started. The key returns to the original position, automatically.
- ⑨ Return the Free accel lever to closed position.



Note

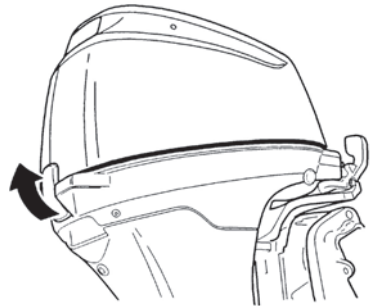
The free accel lever can not be raised when the control lever shift is in Forward or Reverse.

CAUTION

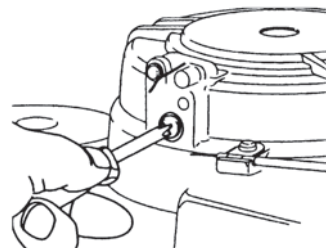
Do not keep turning starter motor for over 5 seconds, or the battery may be consumed, potentially making the engine starting impossible and/or damaging the starter. If cranking over 5 seconds fails to start engine, return main switch to "ON", and crank engine again after 10 seconds or more.

If the recoil starter fails to operate

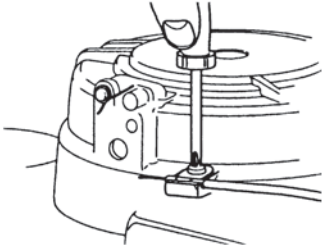
- ① Remove the top cowl and the recoil starter.



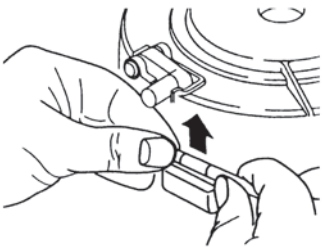
- ① Remove the starter lock cam.



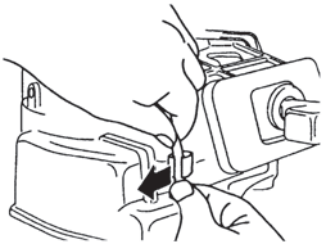
- ② Loosen the screw for starter lock wire.



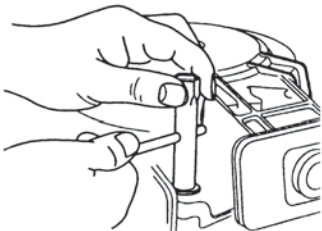
- ③ Remove the upper portion of the starter lock wire.



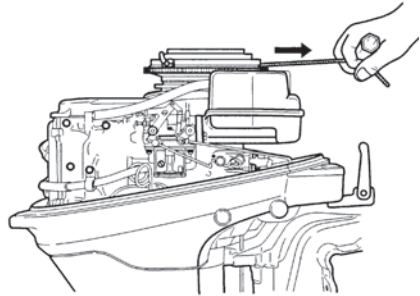
- ④ Remove the lower portion of the starter lock wire.



- ⑤ Remove the bolts (3cps). and remove the recoil starter assembly.



- ⦿ Confirm that the shift lever is at neutral position.
- ⦿ Wrap a rope around the starter pulley then pull quickly to start.
- ⦿ Use a 10 mm socket wrench as a rope handle.
- ⦿ Reinstall top cowl after engine starts.



! WARNING

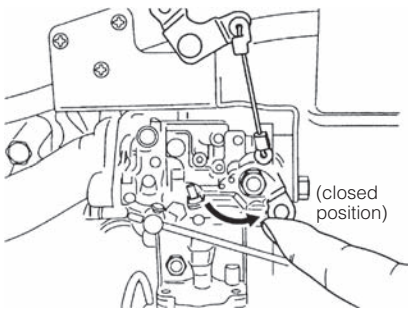
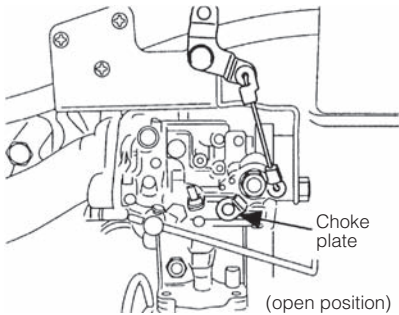
Be careful that your clothes or other items do not get caught in the rotating engine parts.
 To prevent accident and injury, do not re-attach the recoil starter after the engine has been started using the emergency starter rope. Be sure to put the top cowl back on.
 Immediately contact an authorized dealer when reaching shore.

! WARNING

- Be sure that no bystander(s) is within 2 meters from back of starting operator.
- Do not operate the outboard motor with top cowl removed from the power unit, or contacting turning flywheel which can lead to serious personal injury.

If the choke solenoid fails to operate (E and P type only)

- ① Remove the top cowl.
- ② Close the choke plate by finger.
- ③ Raise the Free accel lever a little.
- ④ Turn the main switch key to start position.
- ⑤ Stop pushing the key when the engine has started.
- ⑥ Return the choke plate to open position.



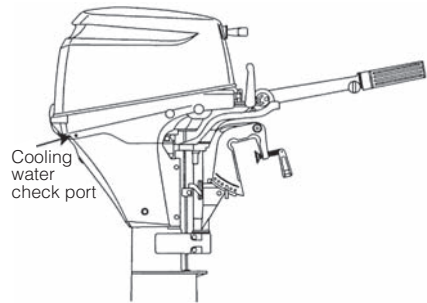
4. Warming up the engine

Warm the engine at low engine speeds for about three minutes. This allows the lubricating oil to circulate to all parts of the engine. Operating the engine without warm up shortens the engine's life.

Be sure to check that cooling water is coming out of the cooling water check port during warm up.

CAUTION

If the engine is operated without water discharging from the check port, the engine may over heat.



CAUTION

Be sure to stop engine immediately if cooling water check port is not discharging water, and check if cooling water intake is blocked. Operating engine could lead to overheating potentially leading to engine damage. Consult an authorized dealer if the cause cannot be found.

Engine speeds

Idling speed after warming up.

Remark: In case of cold engine starting, idling speed is increased about 300 rpm for several minutes.

Clutch in (In gear)	Clutch off (Out of gear)
900rpm	950rpm

PROPELLER SELECTION

Propeller must be selected that will allow the engine to reach recommended rpm when cruising at wide-open throttle.

Wide open throttle operating range is :

- 9.8HP 5000 to 6000 rpm

Genuine propellers are listed on PROPELLER TABLE of this guide.

6

5. Forward and reverse

WARNING

Before shifting into forward or reverse, make sure that boat is properly moored and outboard motor can be steered fully to the right and left. Make sure that no swimmer(s) is ahead or astern of the boat.

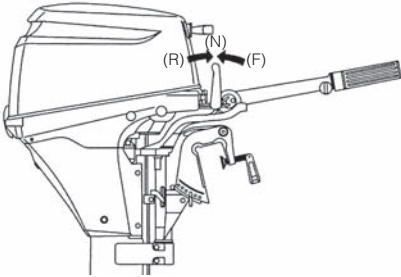
WARNING

- Attach other end of emergency stop switch tether to the operator's clothing or arm and keep it attached during cruising.
- Do not attach the tether to a part of clothing that can be torn easily when pulled.
- Arrange the tether so that will not be caught by any object when pulled.
- Be careful not to pull the tether accidentally during cruising. Unintentional stop of engine can cause loss of control of outboard motor. Rapid loss of engine power can lead to falling down or causing passenger(s) to be thrown overboard.

Note

Do not increase engine speed unnecessarily in reverse.

R, TE and TP type



! WARNING

Severe damage, and personal injury, may occur if shifting at high engine speed. Engine must be in the slow idle position before shifting is attempted.

■ Forward

Turn the throttle grip to reduce engine speed. When the engine reaches trolling (or idling) speed, quickly pull the shift lever to the Forward position.

■ Reverse

Reduce engine speed, when the engine reaches trolling (or idling) speed, quickly push the shift lever to the Reverse position.

! WARNING

Before shifting, make sure that no swimmer(s) or obstacle(s) is ahead or astern of the boat.

! CAUTION

Be sure to warm up engine well before starting cruise. Operating cold engine may cause damage to your motor.

○ Note

Idle speed may be higher during warming up of engine. If shifted to Forward or Reverse during warming up, it may be difficult to shift back to neutral. In such case, stop engine, shift to neutral, and restart engine to warm up.

○ Note

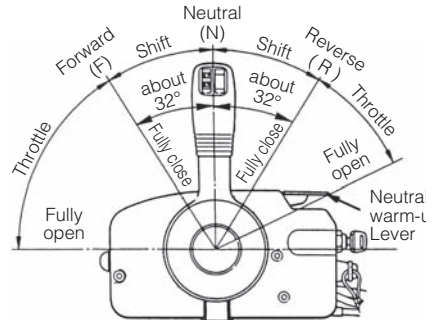
Frequent shifting to forward or reverse can accelerate wear or degradation of parts. In such case, replace gear oil earlier than the period specified.

E and P type

Control Lever



Lock Button



■ Forward

Quickly push the control lever to the Forward (F) position 32°, where the gear is connected, while lifting up on the lock button located at the bottom of the control lever grip. Further shifting will open the throttle.

■ Reverse

Quickly pull the control lever to the Reverse (R) position at 32°, where the gear is connected, while lifting up on the lock button located at the bottom of the control lever grip. Further shifting will open the throttle.

○ Note

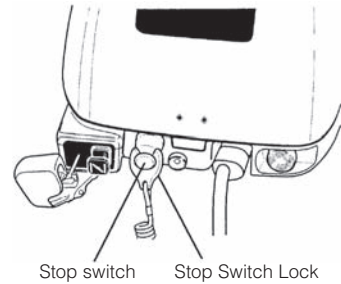
The control lever is inoperative unless the free accel lever is in the fully closed position.

○ Note

Reduce the engine speed when the control lever is in Neutral and do not increase the engine speed unnecessarily.

6. Stopping

R, TE and TP type

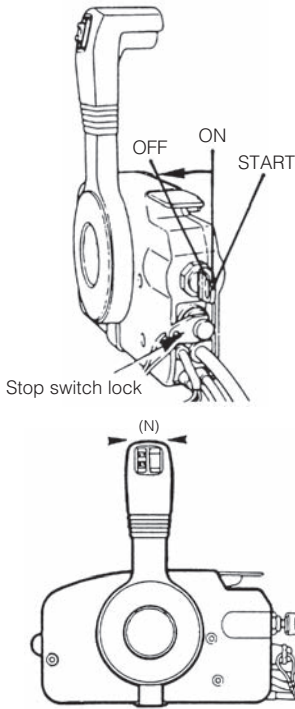


- ① Turn the throttle grip to the slow position.
- ② Put the shift lever in the Neutral position.
Run the engine for 2-3 minutes at idling speed if it has been running at full speed.
- ③ Push the stop switch to stop the engine or release the stop switch lock.

! WARNING

- Do not shift into Reverse during planing, or control will be lost leading to serious personal injury, boat may swamp, and/or hull may be damaged.
- Do not shift into Reverse during cruising, or control may be lost, falling down or causing passenger(s) to be thrown overboard. Leading to serious personal injury, and steering system and/or shifting mechanism may be damaged.

E and P type



- ① Put the shift lever in the Neutral position and run the engine for 2-3 minutes at idling speed if it has been running at full speed.
- ② Turn the main switch key to the OFF position.

○ Notes

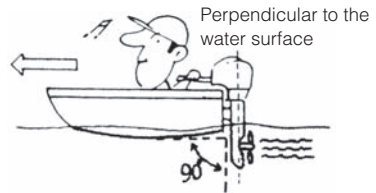
- After stopping the engine, close the air vent screw on the tank cap.
- Disconnect the fuel connector of the engine or the fuel tank.
- Disconnect the battery cord of the TE, E, TP or P type engine, if the engine will not be used for more than 3 days.

7. Trim angle

The trim angle of the outboard motor can be adjusted to suit the transom angle of the hull, and load conditions. Choose an appropriate trim angle that will allow the anti-ventilation plate to run parallel to the water surface during operation.

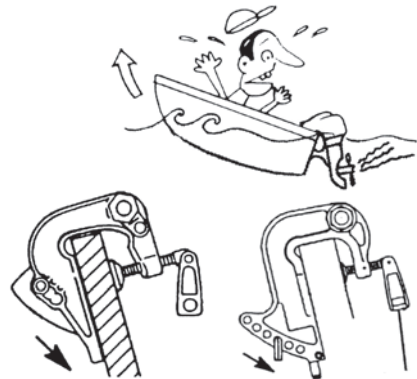
■ Proper trim angle

The position of the thrust rod (or preset knob) is correct if the hull is horizontal during operation.



■ Improper trim angle

Set the thrust rod (or preset knob) lower if the bow of the boat rises above horizontal.



Set the thrust rod lower

Remark) Thrust rod is for R and TE, and preset knob is for E.

! WARNING

- Do not put hand or finger in between outboard motor body and clamp bracket when adjusting trim angle to prevent injury in case the outboard motor body falls.
- Unsuitable trim position can cause loss of control of boat.
When testing a trim position, run boat slow initially to see if it can be controlled safely.

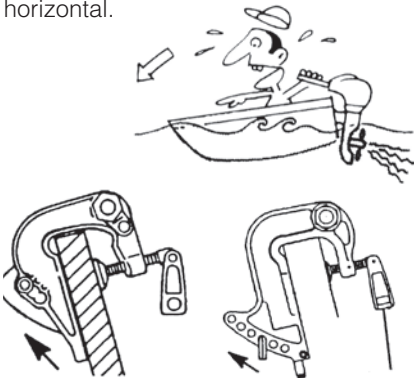
! WARNING

Excessive trim up or down may lead to unstable boat operation, potentially causing the steering difficulty that leads to accident during cruising.

- Do not cruise at high speed if improper trim position is suspected. Stop the boat and readjust trim angle before continuing cruise.
- For outboard motor model with PTT switch on the bottom cowl, do not operate the switch during cruising, or control of boat may be lost.

■ Improper trim angle

Set the thrust rod (or preset knob) higher if the bow of the boat is below horizontal.



Set the thrust rod higher

TP and P type

■ Improper Trim Angle (bow rise too high)

If the trim angle is excessive, the bow will rise out of the water and the speed will decrease.

Furthermore, the bow may sway or the bottom may slam the water while cruising.

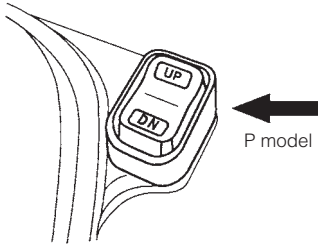
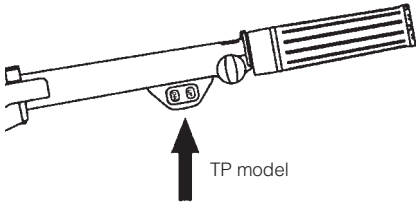
In this case, decrease the trim angle by pressing the switch on the Remote Control Lever to "DN".



■ Improper Trim Angle (bow dips into the water)

If the trim angle is too small, the bow will dip into the water, the speed will decrease, and water may enter the boat. In this case, the trim angle should be increased by pressing the switch on the Remote Control Lever to "UP".



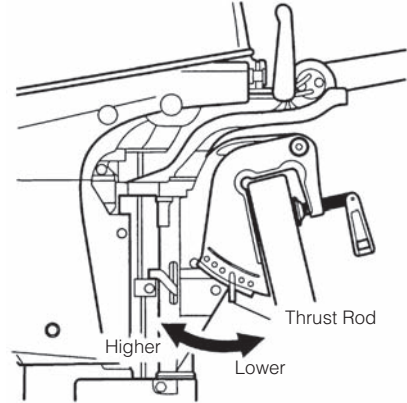


■ Proper Trim Angle

The trim angle is optimum when the boat is parallel to the water surface while running.

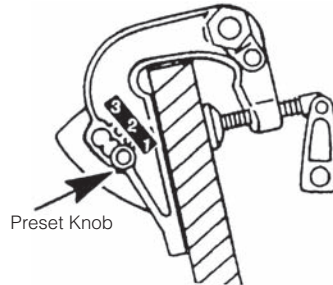
R, TE type

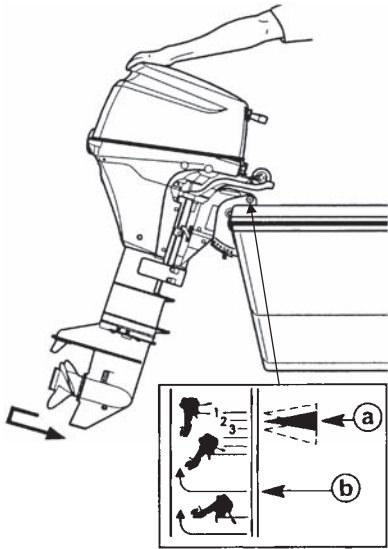
- ① Stop the engine.
- ② Shift the outboard into neutral.
- ③ Raise the engine to the tilt up position.
- ④ Change the thrust rod position.
- ⑤ Gently lower the outboard.



E type

- ① Stop the engine.
- ② Shift the outboard into forward.
- ③ Raise the engine to the tilt release position(b).
- ④ Change the preset knob position.
- ⑤ Gently lower the outboard.





Ⓐ: Transom angle settings
 Ⓑ: Tilt release position

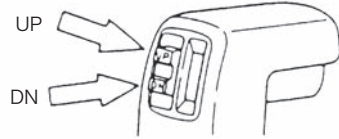
! WARNING

- Do not put hand or finger in between outboard motor body and clamp bracket when adjusting trim angle to prevent injury in case the outboard motor body falls.
- Unsuitable trim position can cause loss of control of boat. When testing a trim position, run boat slow initially to see if it can be controlled safely.

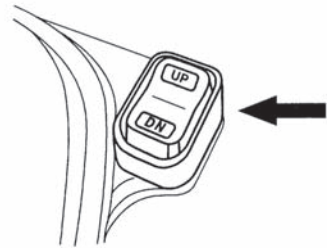
6

P type

- ① Operate the Power Tilt switch and tilt the outboard motor up. (The Main Switch must be "ON".)

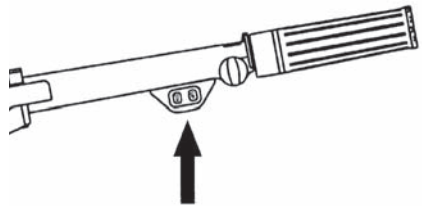


The outboard motor can also be tilted up using the switch provided under the bottom cowl. (The Main Switch need not be turned "ON" in this case.)



TP type

- ① Operate the Power Tilt switch and tilt the outboard motor up.

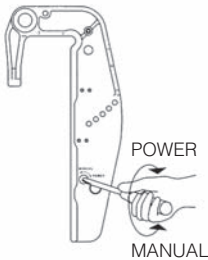


- ② Lock the tilt with the Tilt stopper after the outboard motor has been tilted up.



- ③ Manual tilting

If the battery is dead, and the Power Tilt Switch inoperative, turn the manual valve to counter-clockwise. This will allow manual tilting of the outboard motor.



WARNING

Excessive trim up or down may lead to unstable boat operation, potentially causing the steering difficulty that leads to accident during cruising.

- Do not cruise at high speed if improper trim position is suspected. Stop the boat and readjust trim angle before continuing cruise.
- For outboard motor model with PTT switch on the bottom cowl, do not operate the switch during cruising, or control of boat may be lost.

Note

Stop the engine before adjusting trim angle.

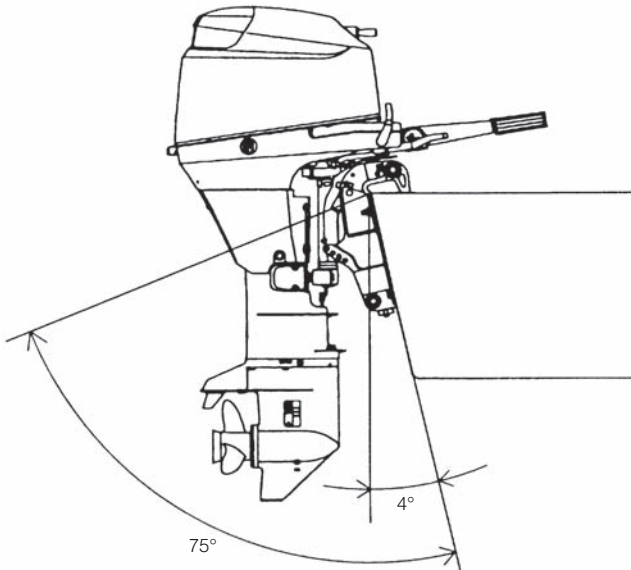
TP/P type

The provided Power tilt makes tilt-up/down electrically. It may be used as a power trim and tilt when the outboard motor is used with the light load condition. In this case, it can be adjusted to set the desired trim angle of the outboard motor in relation to the transam shape, planing speeds and load. It is imperative that the trim angle is adjusted correctly. Incorrect adjustment will cause the boat to sway, deteriorate engine performance and may cause unsafe steering conditions.

⚠ CAUTION

The power Tilt can be set to any trim angle, however, avoid cruising with the outboard motor tilted in the tilt range. Operating the boat in this manner, the outboard motor may ingest air into the water cooling system, resulting in engine overheating.

6



8. Tilt up, tilt down and shallow water operation

WARNING

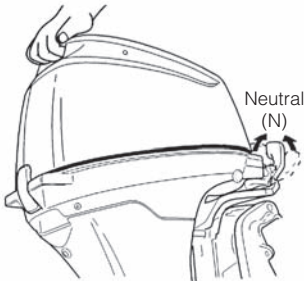
When tilting up or down, be careful not to place your hand between the swivel bracket and the stern bracket.

Be sure to tilt the outboard motor down slowly.

Note

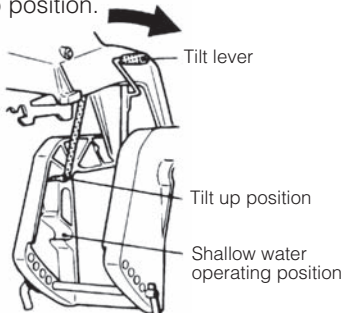
Stop the engine before tilting up.

R, TE type



■ Tilt up

With the shift lever in Neutral or Forward, fully tilt the motor up toward you by holding the tilt handle provided at the rear of the top cowl. Then slightly lower the motor for locking in the up position.



■ Tilt down

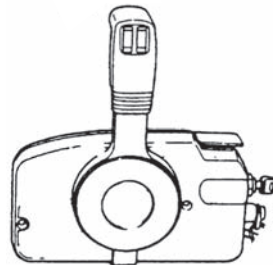
Slightly tilt the motor up, and pull the tilt lever toward you to release the tilt-lock. Then lower the motor slowly.



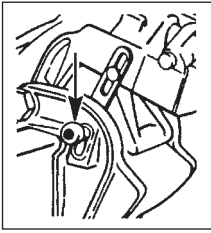
E type

■ Tilt up

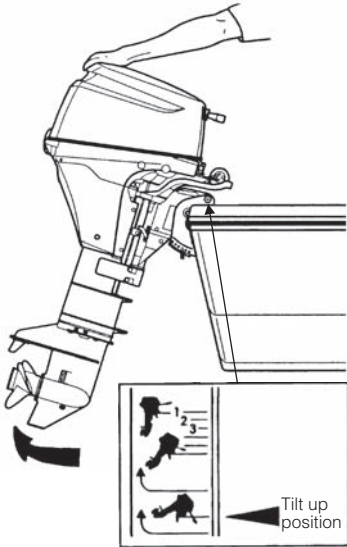
- ① Stop the engine.
- ② Shift the outboard into Neutral.



- ③ Take hold of the tilt handle and raise the engine to the full up position and release.
- ④ Pull out the tilt lock knob and move it to the lock position.



Tilt lock knob in lock position

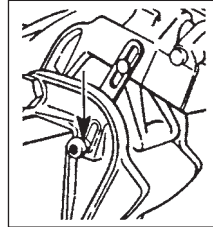


! WARNING

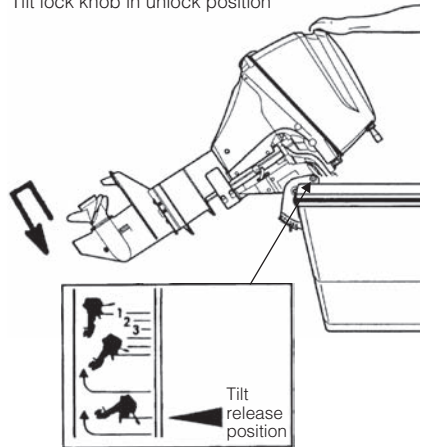
- Do not put hand or finger in between outboard motor body and clamp bracket when adjusting trim angle to prevent injury in case the outboard motor body falls.
- When tilting up outboard motor with fuel joint for over a few minutes, be sure to disconnect fuel hose or close fuel cock, or fuel may leak, potentially catching fire.

■ Tilt down

- ① Move the tilt lock knob to the unlock position.
- ② Raise the outboard to the tilt release position.
- ③ Gently lower the outboard.



Tilt lock knob in unlock position



! CAUTION

Do not tilt up outboard motor during operation, or engine may be damaged from overheating due to lack of sufficient cooling water.

9. Shallow water operation

WARNING

During shallow water operation, be careful not to place your hand between the swivel bracket and the stern bracket. Be sure to tilt the outboard motor down slowly.

Note

Slow down to trolling speed, and shift into neutral before setting outboard motor to shallow water drive position.

WARNING

- Run at lowest possible speed when using shallow water drive.
- Tilt lock is disabled when in shallow water drive position.
- When driving shallow water, be careful not to strike outboard motor against sea bottom, or propeller may be pushed out of water, resulting in loss of control.

CAUTION

While in shallow water drive position, do not operate the outboard motor in Reverse. Operate the outboard motor at slow speed and keep the cooling water intake submerged.

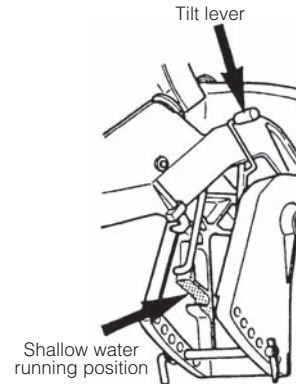
R, TE type

■ Shallow water running position

With the shift lever in Neutral or Forward, tilt the motor up slowly by about 40° and then lower the tilt lever for setting at the shallow water running position.

■ Tilt down from shallow water running position

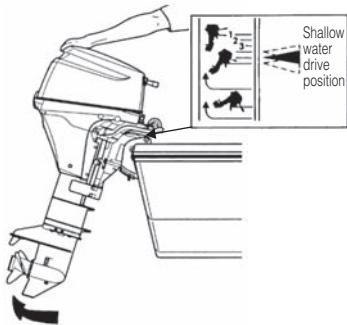
Tilt the motor up fully and then return the motor down slowly to the normal running position.



E type

■ Setting shallow water drive

- ① Stop the engine.
- ② Shift the outboard into forward.
- ③ Tilt the outboard up to one of the shallow water drive positions.



! WARNING

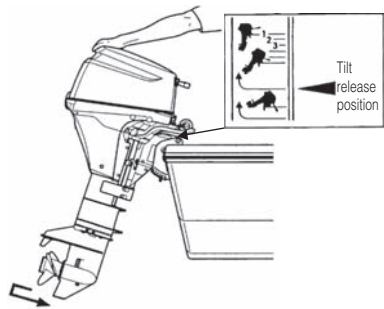
Do not tilt up or down outboard motor when swimmer(s) or passenger is near to prevent them from being caught between outboard motor body and clamp bracket in case the outboard motor body falls.

! WARNING

When tilting up outboard motor with fuel joint for over a few minutes, be sure to disconnect fuel hose or close fuel cock, or fuel may leak, potentially catching fire.

■ Releasing shallow water drive

- ① Stop the engine.
- ② Tilt the outboard up to the tilt release position.
- ③ Gently lower the outboard.



! CAUTION

Do not tilt up outboard motor while engine operates, or no cooling water may be fed, leading to engine seizure due to overheating.

○ Note

For U.S.A. market only

High altitude :

When engine operates at high altitude engine may need to have a high altitude kit installed. Otherwise, operating the engine at high altitude may increase its emissions and decrease fuel efficiency and performance. Please see "Product Warranty Information" for more detail.

REMOVING AND CARRYING THE OUTBOARD MOTOR

1. Removing the outboard motor

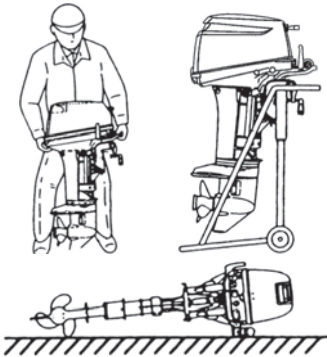
- ① Stop the engine.
- ② Disconnect the fuel connector, the remote control cables and the battery cords from the outboard motor.
- ③ Remove the outboard motor from boat and completely drain the water from the gear case.

CAUTION

Engine may be hot immediately after operating and could cause burns if touched. Allow Engine to cool down before attempting to carry the outboard.

2. Carrying the outboard motor

Keep the outboard motor in a vertical position when carrying.



WARNING

- Close air vent screw of fuel tank and fuel cock before carrying or storing outboard motor and fuel tank, or fuel may leak, potentially catching fire.
- Do not give a shock to an outboard motor during transportation. It becomes a cause of breakage.

3. Storing the outboard motor

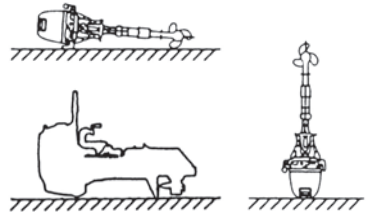
Outboard motor should be stored in a vertical position.

Note

If the outboard motor must be laid down be sure the tiller handle faces down as shown in the drawing above. Elevate power unit 2 inches to 4 inches if traveling to avoid oil spillage.

CAUTION

Do not carry or store outboard motor in any of positions described below. Otherwise, engine damage or property damage could result from leaking oil.



TRAILERING

⚠ WARNING

Do not go under outboard motor tilted up even if it is supported by support bar, or accidental fall of outboard motor could lead to severe personal injury.

⚠ WARNING

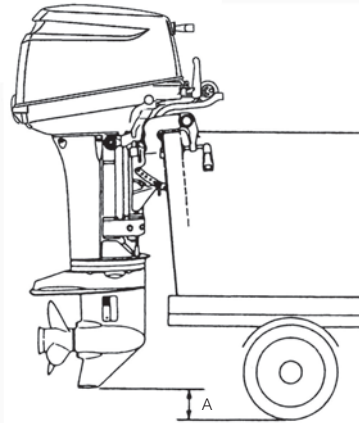
Close air vent screw of fuel tank and fuel cock before carrying or storing outboard motor and fuel tank, or fuel may leak, potentially catching fire.

⚠ WARNING

When taking outboard motor from package or removing outboard motor from the boat, never release the lock lever. If the lock lever is released, it will very easy for the clamp bracket to spring up to the tilting direction because it is not fixed.

⚠ CAUTION

When trailering the outboard motor should be in a vertical (normal running) position, fully down. Trailering in the tilted position may cause damage to the outboard motor, boat, etc.
If trailering with outboard fully down is not available (the gear case skeg is too close to the road in a vertical position), fix the outboard motor securely using a device (like a transom saver bar) in the tilted position.



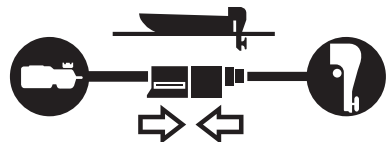
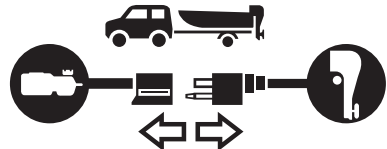
A: Ground clearance should be provided sufficiently.

⚠ CAUTION

The tilt support device (Transom Saver) supplied on your outboard motor is not intended for towing. It is intended to support the outboard motor while the boat is docked, beached, etc.

⚠ WARNING

Please disconnect fuel connector except when operating engine. Fuel leakage is a fire or explosion hazard, which can cause serious injury or death.

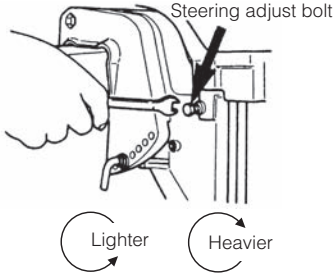


ADJUSTMENT

1. Steering friction

R, TE type

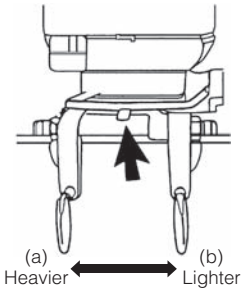
The steering friction can be adjusted in accordance with your preference by turning the steering adjust bolt.



Note

The steering adjustment bolt is used to adjust the friction load of the steering, but not to fix the steering. Excess tightening of the adjustment bolt may cause damage to the swivel bracket.

TP, E and P type

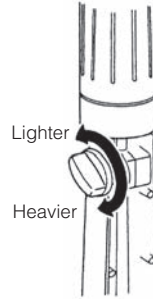


Adjust this lever to achieve the desired steering friction (drag) on the tiller handle. Move lever towards (a) to tighten friction and move lever towards (b) to loosen friction.

2. Throttle grip

R, TE and TP type

The turning force of the throttle grip can be adjusted with a throttle adjust screw.



WARNING

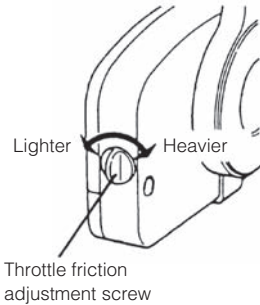
Do not overtighten the throttle grip or remote control tensioner or it could result in difficulty of movement resulting in the loss of control causing an accident and could lead to severe injury.

3. Remote Control Lever Load

E and P type

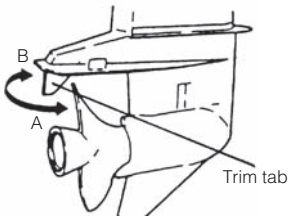
(Throttle friction adjustment screw)

To adjust the load of the remote control lever, turn the throttle friction adjustment screw on the front of the remote control. Turn clockwise to increase the load and counter-clockwise to decrease it.



4. Trim Tab Adjustment

If straight-line cruising can not be achieved, adjust the trim tab located under the anti-ventilation plate.



- If the boat veers toward the right, direct the trim tab towards A.
- If the boat veers toward the left, direct the trim tab towards B.

○ Notes

- The trim tab also acts as an anode to prevent electrolytic corrosion. Therefore do not paint or grease this part.
- After adjustment securely tighten the trim tab fixing bolt.
- Check for looseness of the bolt and the trim tab at regular intervals.

○ Notes

Due to corrosion, the trim tab will wear down over time. The trim tab should be replaced when it has eroded 2/3 of its regular size.

⚠ WARNING

- Inappropriate adjustment of trim tab could cause steering difficulty. After installing or readjusting trim tab, check if steering load is even.
- Tighten trim tab bolt to specified torque.

⚠ WARNING

Be sure that outboard motor is secured to transom or service stand, or accidental drop or fall of outboard motor could lead to severe personal injury.

Be sure to lock outboard motor if it is tilted up, or accidental fall of outboard motor could lead to severe personal injury.

Do not go under outboard motor tilted up and locked, or accidental fall of outboard motor could lead to severe personal injury.

INSPECTION AND MAINTENANCE

Care of your outboard motor

To keep your outboard motor in the best operating condition, it is very important that you perform daily and periodic maintenance as suggested in the maintenance schedules that follow.

CAUTION

- Your personal safety and that of your passengers depends on how well you maintain your outboard motor. Carefully observe all of the inspection and maintenance procedures described in this section.
- The maintenance intervals shown in the checklist apply to an outboard motor in normal use. If you use your outboard motor under severe conditions such as frequent full-throttle operation, frequent operation in brackish water, or for commercial use, maintenance should be performed at shorter intervals. If in doubt, consult your dealer for advice.
- We strongly recommend that you use only genuine replacement parts on your outboard motor. Damage to your outboard motor arising from the use of other than genuine parts is not covered under the warranty.

EPA Emissions Regulations

EPA (United States Environmental Protection Agency) has emission regulations regulating air pollution from new outboard motors. All new outboard motors manufactured by us are certified to EPA as conforming to the requirements of the regulations. This certification depends upon factory standards. Therefore, factory specifications must be followed when servicing emission related controls, or making adjustments. **Maintenance, replacement, or repair of the emission control devices and systems may be performed by any marine SI (Spark Ignition) engine repair establishment or individual.**

1. Daily inspection

Perform the following checks before and after use.



WARNING

Do not use outboard motor if any abnormality is found during pre-operation check or it could result in severe damage to the motor or severe personal injury.

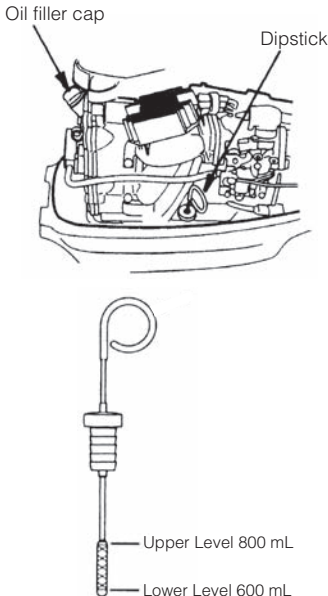
Item	Points to Check	Remedy
Fuel System	<ul style="list-style-type: none"> ● Check the amount of fuel in the tank. ● Check for debris or water in the fuel filters. ● Check the rubber hoses for fuel leakage. 	Replenish Clean or replace Replace
Fuel Tank Cap	<ul style="list-style-type: none"> ● Check for crack, leakage, damage in the fuel tank cap. ● Check for crack, damage in the gasket and teather. ● Check for leakage at full close. ● Check for ratchet performance. 	Replace Replace Replace Replace
Engine Oil	<ul style="list-style-type: none"> ● Check the oil level. 	Fill to the upper level mark on dipstick
Electrical Equipment	<ul style="list-style-type: none"> ● Check that the main switch functions normally. ● Check that the battery electrolyte level and specific gravity are normal. ● Check for loose connections on the battery terminal. ● Check that the stop switch functions normally and make sure the lock plate is there. ● Check cords for loose connections and damage. ● Check the spark plugs for dirt, wear and carbon build-up. 	Replace Replenish or recharge Retighten Remedy or replace Correct or replace Clean or replace
Throttle System	<ul style="list-style-type: none"> ● Check carbureter linkage is working normally when turning the throttle grip. 	Correct
Recoil Starter	<ul style="list-style-type: none"> ● Check the rope for wear and chafing. ● Check the ratchet engagement. 	Replace Correct or replace
Clutch and Propeller System	<ul style="list-style-type: none"> ● Check that clutch engages correctly when operating the shift lever. ● Visually Check propeller for bent or damaged blades. ● Check the propeller nut is tightened and the split pin is present. 	Adjust Replace
Installation of Motor	<ul style="list-style-type: none"> ● Check all the bolts attaching the motor to the boat. ● Check the thrust rod installation. 	Tighten
Cooling Water	<ul style="list-style-type: none"> ● Check that cooling water is discharged from the cooling water check port after the engine has started. 	Repair
Tools and Spares	<ul style="list-style-type: none"> ● Check that there are tools and spare parts for replacing spark plugs, the propeller, etc. ● Check that you have the spare rope. 	
Steering Devices	<ul style="list-style-type: none"> ● Check the operation of the steering handle. 	Repair
Other Parts	<ul style="list-style-type: none"> ● Check if the anode is securely installed. ● Check the anode for corrosion and deformation. 	Repair if necessary Replace

Maintaining engine oil

If the engine oil is low, the life of the engine will be shortened significantly.

■ Checking oil level

- ① Stop the engine and set it in a vertical position.
- ② Remove the top cowl.
- ③ Remove the dipstick.
- ④ Wipe oil off the oil dipstick with a clean rag.
- ⑤ Put in the dipstick.
- ⑥ Take out the dipstick and check the oil level.
- ⑦ Replace the dipstick.



○ Notes

The oil level should be checked when the engine is cold.

○ Notes

Consult with an authorized dealer if the engine oil is milky color, or appears contaminated.

■ Replenishing engine oil

If the oil level is low, or at lowest mark, add recommended oil to the upper dipstick mark.

⚠ CAUTION

- Do not add engine oil of brand and grade other than existing one. In case engine oil of other brand or grade is added, drain all oil and ask dealer for treatment.
- In case other than engine oil such as gasoline is put in the oil chamber, empty the chamber and ask dealer for treatment.
- When replenishing engine oil, be careful not to allow entry of foreign matters such as dust and water into oil chamber.
- Wipe off engine oil well immediately if spilled.
- Do not replenish engine oil over upper limit. If overfilled, remove oil to upper limit. If engine oil is over the upper limit, it can leak potentially leading to engine damage.

Washing outboard motor

If outboard motor is used in salt water, brackish water or water with a high acidic level, use fresh water to remove salt, chemicals or mud from exterior and cooling water passage after every cruising or before storing outboard motor for long time. Before flushing, remove the propeller and the forward thrust holder.

CAUTION

Keep cooling water passage free of clogs, or lack of cooling water flow could lead to engine overheating, potentially resulting in engine trouble.

Notes

It is recommended to check chemical properties of water on which your outboard motor is regularly used.

WARNING

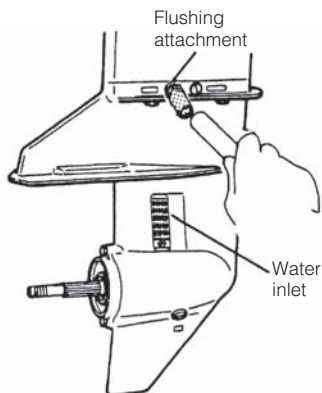
Do not start engine without removing propeller, or accidentally turning propeller could cause personal injury.

WARNING

Never start or operate the engine indoors or in any space which is not well ventilated. Exhaust gas contains carbon monoxide, a colorless and odorless gas which can be fatal if inhaled for any length of time.

■ Use flushing attachment.

- ① Remove propeller (refer to Propeller Replacement). Remove the water plug from the motor, and screw in the flushing attachment.
- ② Attach a water hose to the flushing attachment. Turn on the water and adjust the flow. (Be sure to seal the water inlet, located in the gear case, with tape.)
- ③ Start the engine and run it at idle speed in neutral shift position.
- ④ Check for a steady stream of water flowing out of the water pump indicator hole. Continue flushing the outboard motor for 3 to 5 minutes, carefully monitoring water supply at all times.
- ⑤ Stop the engine, turn off the water supply, and remove the flushing attachment and tape. Reinstall the propeller.



CAUTION

Keep engine at idle speed during flushing.

Replacing the propeller

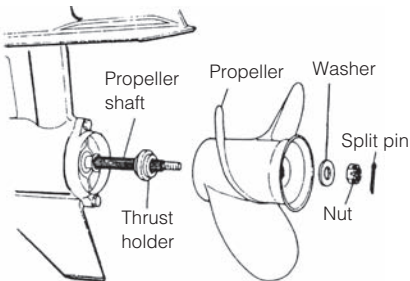
A worn-out or bent propeller will lower the motor's performance, and cause engine trouble.

Before removing the propeller, remove the spark plug caps from the spark plugs to protect against personal injury.

! WARNING

Do not begin propeller removal and installation procedure with spark plug caps attached, shift in forward or reverse, main switch at other than "OFF", engine stop cord attached to the switch, and starter key attached, or engine could accidentally start leading to serious personal injury. Disconnect battery cable if possible.

- ① Remove the split pin, propeller nut and washer.
- ② Remove the propeller and thrust holder.
- ③ Apply genuine grease to the propeller shaft before installing a new propeller.
- ④ Install the thrust holder, propeller, washer and propeller nut onto the shaft.
- ⑤ Install a new split pin into the nut hole and bend it.



! WARNING

Do not hold propeller with hand(s) when loosening or tightening propeller nut. Put a piece of wood block between propeller blade and anti-ventilation plate to hold propeller.

! CAUTION

- Do not install propeller without thrust holder, or propeller boss could be damaged.
- Do not reuse split pin.
- After installing split pin, spread the pin apart to prevent it from falling out which could lead to the propeller coming off during operation.

Replacing the spark plugs

⚠ WARNING

- Do not reuse spark plug with damaged insulation, or sparks can leak through crack, potentially leading to electric shock, explosion and/or fire.
- Do not touch spark plugs immediately after stopping engine as they will be hot and could cause severe burns if touched. Allow motor to cool down first.

If the spark plug(s) is fouled, has carbon build up, or is worn, it should be replaced.

When reusing spark plugs, remove dirt from the electrodes and adjust spark gap to specification.

○ Notes

When inspecting the plug, always clean the gasket surface and use a new gasket. Wipe off any dirt from the threads and screw in the spark plug to the correct torque.

- ① Stop the engine.
- ② Remove the top cowl.
- ③ Remove the spark plug caps.
- ④ Remove the spark plugs by turning it counter-clockwise, using a 5/8" socket wrench and handle.

Use spark plug NGK DCPR-6E.



- ⑤ Attach spark plug and tighten to specified torque.

○ Notes

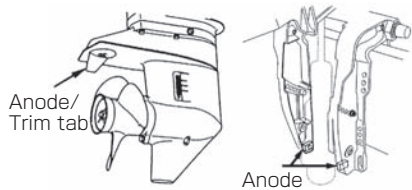
- Spark plug torque :
18.0Nm(13.3ft-lb)(1.84kgf-m)
- If a torque-wrench is not available when you are fitting a spark plug, a good estimate of the correct torque is 1/4 to 1/2 a turn past finger-tight. Have the spark plug adjusted to the correct torque as soon as possible with a torque-wrench.

Replacing the anode

A sacrificial anode protects the outboard from galvanic corrosion. Anode is located on the gear case and the cylinder. When the anode is eroded more than 2/3, replace it.

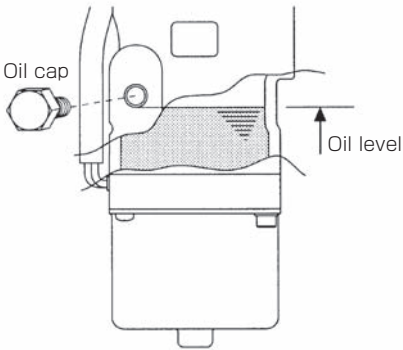
○ Notes

- Never grease or paint the anode.
- At each inspection re-tighten the anode attaching bolt. As it is likely to be subjected to electrolytic corrosion.



Checking and Refilling Oil in the Power Tilt.

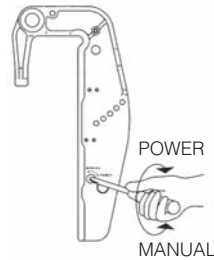
- ① Check the oil level of the reservoir tank as shown on the right while the tank is kept in a vertical position. Tilt the outboard motor up to check the oil level in the tank. Remove the oil cap by turning counter-clockwise, then check if the oil level reaches the bottom line of the plug hole.



CAUTION

Do not fully unscrew the oil plug with the outboard motor tilted down. Pressurized oil in the oil tank may spurt out.

- ② Recommended oil
Use an automatic transmission fluid or equivalent. Recommended oils are as shown below.
ATF Dexron III
- ③ Air purging from the Power Tilt unit.
Entrapped air in the Power Tilt unit will cause poor tilting movement. With the outboard motor mounted on the boat, set the manual release valve to the Manual side, and tilt the outboard motor manually up/down 5-6 times while checking the oil level. When done, close the valve by turning it clockwise towards the Power side.



2. Periodic inspection

It is important to inspect and maintain your outboard motor regularly. At each interval on the chart below, be sure to perform the indicated servicing. Maintenance intervals should be determined according to the number of hours or number of months, whichever comes first.

Description		Inspection intervals				Inspection procedure	Remarks
		First 20 hours or 1 month	Every 50 hours or 3 months	Every 100 hours or 6 months	Every 200 hours or 1 year		
Fuel System	Carburetor *1			○	○	Strip, Clean, and adjust.	
	Fuel Filter	○	○	○	○	Check and clean or Replace if necessary.	
	Piping/Hoses *2	○	○	○	○	Check and Replace if necessary.	
	Fuel Tank *2	○		○	○	Check and Replace if necessary.	
	Fuel Tank Cap *2	○	○	○	○	Check and Replace if necessary.	
	Fuel pump *1	○	○	○	○	Check and Replace if necessary. Disassemble and check each 300 hours.	
Ignition	Spark Plug	○		○	○	Check gaps. Remove carbon deposits or Replace.	0.8-0.9mm (0.031-0.035in)
	Ignition Timing *1	○		○	○	Check timing.	
Starting System	Starter Rope	○	○	○	○	Check for wear or chafing	
	Starter Motor *1			○	○	Check for salt deposits and the battery cable condition.	
	Battery	○	○	○	○	Check installation, fluid quantity, gravity.	
Engine	Engine Oil	Replace ○		Replace ○	Replace ○	Replace if necessary.	
	Valve Clearance *1	○		○	○	Check & adjust	
	Timing Belt *1			○	○	Check and Replace if necessary.	
	Thermostat *1			○	○	Check and Replace if necessary.	
Lower Unit	Propeller	○	○	○	○	Check for bent blades, damage, wear.	
	Gear Oil	Replace ○	○	Replace ○	Replace ○	Change or replenish-oil and check for water leaks.	320mL
	Water Pump *1		○	○	○	Check for wear or damage.	Replace impeller every 12 months.
Bolts and Nuts		○	○	○	○	Retighten	
Sliding and Rotating Parts. Grease Nipples		○	○	○	○	Apply and pump in grease.	
Outer Equipment		○	○	○	○	Check for corrosion.	
Anode			○	○	○	Check for corrosion and defomation.	Replace if necessary.

*1 Have this handled by your dealer.

*2 In USA, you have to use EPA approved part. (See P23 - P25).

Notes

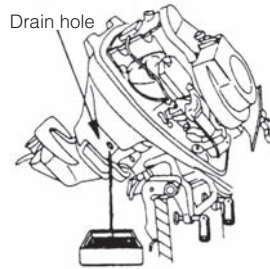
Your outboard motor should receive careful, and complete inspection at 300 hours. This is the best time for major maintenance procedures to be carried out.

Replacing engine oil

Engine oil mixed with dust or water will dramatically shorten the life of the engine.

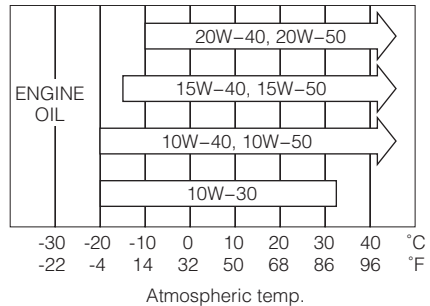
To change engine oil:

- ① Stop the engine and set it in a tilted position.
- ② Remove the top cowl and oil filler cap. Allow it to cool.
- ③ Turn the steering on the outboard motor so that the drain hole is facing downward.
- ④ Put a oil drain pan under the oil drain screw.
- ⑤ Remove the oil drain screw and completely drain oil from the engine.
- ⑥ Tighten the oil drain screw.
- ⑦ Reset the engine in a vertical position.
- ⑧ Repeat ⑤ and ⑥ .
- ⑨ Fill the engine through filler port with recommended oil (see chart below) to the upper dipstick mark.
- ⑩ Tighten the oil filler cap.



Use only high quality 4-stroke engine oil to insure performance and prolonged engine life.

Use oils that carry the API rating of SF, SG, SH, SJ, SL, or SM. Select the appropriate viscosity, based on atmospheric temperature, from the chart below.



You can also use NMMA FC-W certified 4-stroke outboard oil below.

10W-30: is recommended for use in all temperature.

25W-40: may be used at temperatures above 4°C (40°F).

CAUTION

Use of engine oils that do not meet these requirements will result in reduced engine life, and other engine problems.

⚠ CAUTION

You may be injured due to high engine temperatures if you fill engine oil just after stopping. Changing engine oil should be done after the engine has been cooled.

⚠ CAUTION

- Do not overfill engine oil, or engine oil could leak and/or engine could be damaged. If engine oil level is over upper limit marks of oil gauge, drain oil to level lower than upper limit.
- Be sure that outboard motor is in upright and level position when checking or changing oil.
- Stop engine immediately if low oil pressure warning lamp is lit or oil leak is found, or engine could be severely damaged. Consult dealer.

○ Notes

- If any amount of water is found in engine oil, making it milky white, consult dealer.
- If engine oil is contaminated with fuel, emitting strong fuel smell, consult dealer.

Cleaning the fuel filters and the fuel tank

Fuel filters are located inside the fuel tank and engine.

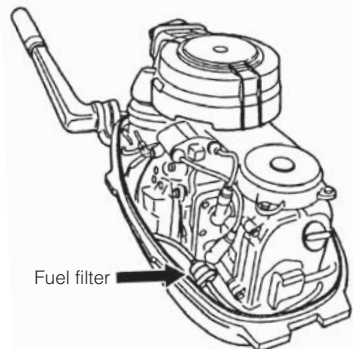
⚠ WARNING

Gasoline and its vapors are very flammable and can be explosive.

- Do not start this procedure while engine is operating or hot even after stopping it.
- Place fuel filter away from every source of ignition such as sparks or open flames.
- Wipe off gasoline well immediately if spilled.
- Install fuel filter with all related parts in place, or fuel leak could occur, leading to catching fire or explosion.
- Check fuel system regularly for leakage.
- Contact an authorized dealer for fuel system services. Services by unqualified person could lead to engine damage.

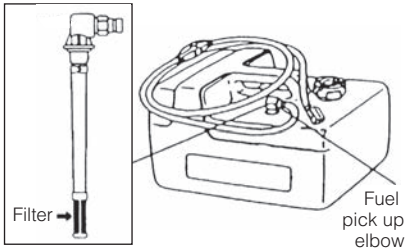
■ Fuel filter (for engine)

- ① Replace the filter provided inside of engine cover if there is water or dirt inside.



■ Fuel filter (for fuel tank)

Loosen the fuel pickup elbow shown at left, remove it and clean the fuel filter.

**■ Fuel tank**

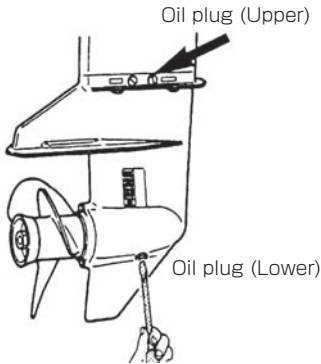
Water or dirt in the fuel tank will cause engine performance problems. Check and clean the tank at periodical inspection or after the outboard motor has been stored for a long period of time (over three months).

Replacing gear oil

! WARNING

- Be sure that outboard motor is secured to transom or service stand, or accidental drop or fall of outboard motor could lead to severe personal injury.
- Be sure to lock outboard motor if it is tilted up, or accidental fall of outboard motor could lead to severe personal injury.
- Do not go under outboard motor tilted up and locked, or accidental fall of outboard motor could lead to severe personal injury.

- ① Remove the oil plugs (upper and lower), and completely drain the gear oil.

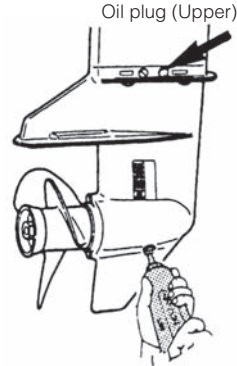


- ② Insert the oil tube nozzle into the lower oil plug hole, and fill with gear oil by squeezing the oil tube

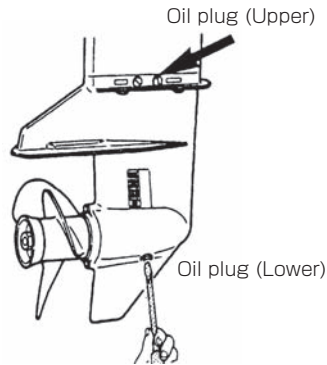
! CAUTION

Do not reuse oil plug gasket. Always use new gasket and tighten oil plug properly to prevent entry of water into lower unit.

until oil flows out from upper plug hole.



- ③ Install the upper oil plug, and then remove oil tube nozzle and install the lower oil plug.



○ Notes

If water in the oil, giving it a milky colored appearance. Contact your dealer.

○ Notes

Use genuine gear oil or the recommended one (API GL-5: SAE #80 to #90).
Required volume: approx. 320 ml.

3. Off-season storage

Before you put your outboard motor in storage, it is a good opportunity to have it serviced and prepared by your dealer.

CAUTION

Before servicing the motor for storage:

- Remove the battery cables.
- Remove the spark plug caps from the spark plugs.
- Do not run the motor out of the water.

■ Engine

- ① Wash the engine exterior and flush the cooling water system thoroughly with fresh water. Drain the water completely.
Wipe off any surface water with an oily rag.
- ② Use a dry cloth to completely wipe off water and salt from the electrical components.
- ③ Drain all fuel from the fuel hoses, fuel pump, and carburetor, and clean these parts.
Keep in mind that if gasoline is kept in the carburetor for a long time, gum and varnish will develop, causing the float valve to stick, restricting the fuel flow.
- ④ Remove the spark plugs and spray storage oil (available from an authorized dealer) into the combustion chamber through the spark plug holes while slowly turning the motor over using the recoil starter.
- ⑤ Change the engine oil.

- ⑥ Change the gear oil in the gear case.
- ⑦ Apply grease to the propeller shaft.
- ⑧ Apply grease to all sliding parts, joints, nuts, and bolts.
- ⑨ Stand the outboard motor up vertically in a dry place.

WARNING

Be sure to use cloth to remove fuel remaining in the cowl and dispose of it in accordance with local fire prevention and environment protection regulations.

■ Battery

- ① Disconnect the battery cables.
- ② Wipe off any chemical deposits, dirt, or grease.
- ③ Apply grease to the battery terminals.
- ④ Charge the battery completely before storing it for the winter.
- ⑤ Recharge the battery once a month to prevent it from discharging and the electrolyte from deteriorating.
- ⑥ Store the battery in a dry place.

■ Electric Starter Motor

Coat the internal pinion gears and the shaft of the electric starter motor with grease.

Do not put grease on the teeth of the starter pinion or flywheel or increased wear or damage will occur.

4. Pre-season check

- ① Check that the shift and throttle function properly.

(Be sure to turn the propeller shaft when checking the shift function or else the shift linkage may be damaged.)

○ Notes

The following steps must be taken when first using the engine after winter storage.

- ① Fill the fuel tank completely with 12 liters.
- ② Warm up the engine for 3 minutes in the "NEUTRAL" position.
- ③ Run the engine for 5 minutes at the slowest speed.
- ④ Run the engine for 10 minutes at half speed.

In Steps ② and ③ above, the oil used for storage inside the engine will be flushed out to assure optimum performance.

- ② Check the electrolyte level, and measure the voltage and specific gravity of the battery.

Specific Gravity at 20 °C	Terminal Voltage (V)	Charge Condition
1.120	10.5	Fully discharged
1.160	11.1	1/4 charged
1.210	11.7	1/2 charged
1.250	12.0	3/4 charged
1.280	13.2	Fully charged

- ③ Check that the battery is secure and the battery cables are properly installed.

5. Motor submerged in water

After taking your outboard motor out of the water, immediately take it to your dealer.

The following are the emergency measures to be taken for a submerged outboard motor, if you can not take it your dealer right away.

- ① Wash the outboard motor with fresh water to remove salt or dirt.
- ② Remove the engine oil drain screw and completely drain water and oil from the engine.
- ③ Remove the spark plugs, and completely drain the water from the engine by pulling the recoil starter several times.

Replace oil filter and oil to the correct level.

The oil and filter may need to be changed again after running a short period to get all moisture completely out of the crankcase.

- ④ Inject a sufficient amount of engine oil through the spark plug holes. Pull the recoil starter several times to circulate the oil throughout the outboard motor.
- ⑤ Take outboard motor to your dealer.

CAUTION

Do not attempt to start submerged outboard motor immediately after it is recovered, or engine could be severely damaged.

6. Cold weather precautions

If you moor your boat in cold weather at temperatures below 0°C (32°F), there is the danger of water freezing in the cooling water pump, which may damage the pump, impeller, etc. To avoid this problem, tilt down and submerge the lower unit under the water.

7. Checking after striking underwater object

Striking the sea bottom or an underwater object may severely damage the outboard motor. Immediately bring the outboard motor to the dealer and ask for the following checks.

- ① Looseness or damage of power unit installation bolts, gear case and extension case bolts, propeller or propeller shaft upper and lower mount rubber bolts, and/or mount bracket bolts.

Ask an authorized dealer to tighten any loose bolts and nuts, and to replace damaged parts.

- ② Damage to mount rubber, the tilt stopper, thrust rod, gears and clutch, and/or propeller.

Ask an authorized dealer to replace damaged or defective parts.

TROUBLESHOOTING

If you encounter a problem, consult the check list below to determine the cause and to take the proper action.

An authorized dealer will always be happy to provide any assistance and information.

	Engine falling to start	Engine starting but stopping soon	Poor idling	Poor acceleration	Engine speed abnormally high	Engine speed abnormally low	Boat speed low	Overheating of engine	Warning lamp ON	Power tilt inoperative	Possible cause
FUEL SYSTEM	●	●									Empty fuel tank
	●	●	●	●		●	●	●			Incorrect connection of fuel system
	●	●	●	●		●	●	●			Air entering fuel line
	●	●	●	●		●	●	●			Deformed or damaged fuel hose
	●	●	●	●		●	●	●			Closed air vent on fuel tank
	●	●	●	●		●	●	●			Clogged fuel filter, fuel pump, or carburetor
			●	●		●	●	●			Use of improper engine oil
	●	●	●	●			●	●			Use of improper gasoline
	●	●	●	●							Excessive supply of fuel
	●	●	●	●		●	●	●			Poor carburetor adjustment

		Engine falling to start	Engine starting but stopping soon	Poor idling	Poor acceleration	Engine speed abnormally high	Engine speed abnormally low	Boat speed low	Overheating of engine	Warning lamp ON	Power tilt inoperative	Possible cause
ELECTRICAL SYSTEM	●	●	●	●	●		●	●	●			Spark plug other than specified
	●	●	●	●			●	●				Dirt, soot, etc. on spark plug
							●			●		Faulty oil pressure switch
	●	●	●	●			●	●				No Spark or weak spark
	●											Short circuit of engine stop switch
	●		●	●				●	●			Ignition timing incorrect
	●										●	Lock plate not fitted
	●										●	Disconnection of wire or loose ground connection
	●											Blown 20 Amp fuse in the starting circuit
	●											Not shifted to neutral position
	●										●	Weak battery or battery connections are loose or corroded
	●										●	Ignition key switch failure
	●										●	Wiring or electrical connection faulty
	●											

	Engine failing to start	Engine starting but stopping soon	Poor idling	Poor acceleration	Engine speed abnormally high	Engine speed abnormally low	Boat speed low	Overheating of engine	Warning lamp ON	Power tilt inoperative	Possible cause
COMPRESSION & OIL SYSTEM	●					●	●				Low compression
		●						●			Carbon deposits in the combustion chamber
				●			●				Incorrect valve clearance
ENGINE OIL SYSTEM						●		●			Low oil pressure/level
								●	●		Low oil level
								●	●		Use of improper oil
						●		●	●		Oil deterioration
						●		●	●		Clogged oil strainer
OTHERS	●		●	●		●	●				Incorrect adjustment of throttle link
							●	●			Insufficient cooling water flow, clogged or defective pump
			●				●	●			Faulty thermostat
				●	●		●	●			Cavitation or ventilation
				●	●	●	●	●			Incorrect propeller selection
			●	●	●	●	●	●			Damaged or bent propeller
				●	●		●	●			Improper thrust rod position
				●	●	●	●	●			Unbalanced load on boat
				●	●	●	●	●			Transom too high or too low

TOOL KIT AND SPARE PARTS

The following a list of the tools and spare parts provided with the motor.

Items		Quantity	Remark
Service tools	Tool bag	1	
	Pliers	1	
	Socket wrench	1	10 × 13 mm
	Socket wrench	1	16 mm (spark plug)
	Socket wrench handle	1	
	Screwdrivers	1	Cross-and straight-point
	Screwdriver handle	1	
Spare parts	Starter rope	1	1,600 mm
	Spark plug	1	NGK DCPR6E
	Split pin	1	
Parts Packaged with Engine	Fuel tank	1	12L
	Primer bulb	1 set	
	Remote control box	1 set	E/TP only
	Harness sleeve	1	E only 12-90mm (Tool bag)
	Bracket bolts, nuts and washers	1 set	E only
	Bracket fixing	4	8 mm P/TP only
	Bolt	4	8 mm //
Nut	4 (big)	8 mm //	
Washer	4 (small)	8 mm //	

OPTIONAL ACCESSORIES



Tachometer



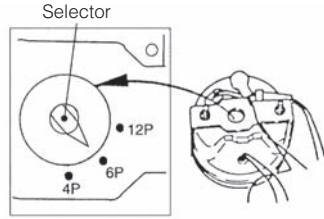
Tachometer with oil lamp (for P)



Propeller



High thrust propeller



Flushing attachment

PROPELLER TABLE

Use a genuine propeller.

Select a propeller that will allow the engine to reach the recommended wide open throttle operating range when cruising at wide-open throttle.

Wide open throttle operating range is :

- 9.8HP : 5000 to 6000 rpm

	Propeller Mark	Propeller Size (Diameter × pitch)		
		No. of Brades	inch	mm
Light boats 	9.5	3	8.9 × 10	226 × 255
	8.5	3	8.9 × 8.3	226 × 211
	7.5	3	8.5 × 7.5	216 × 190
	7.0	3	8.9 × 7.0	226 × 178
Heavy boats	6.5	3	8.5 × 6.5	216 × 165

	Propeller Mark	Propeller Size (Diameter × pitch)		
		No. of Brades	inch	mm
Light boats 	7.0	4	8.7 × 7.0	226 × 178
Heavy boats	5.0	4	8.7 × 5.0	221 × 127

Product Warranty Information

BOMBARDIER RECREATIONAL PRODUCTS LIMITED WARRANTY FOR 2012 EVINRUDE OUTBOARD ENGINES SOLD IN THE UNITED STATES AND CANADA

1. SCOPE OF THE LIMITED WARRANTY

Bombardier Recreational Products* ("BRP") warrants its 2012 *Evinrude*® outboard engines sold by authorized *Evinrude* dealers in the fifty United States and Canada ("Product") from defects in material or workmanship for the period and under the conditions described below.

2. EXCLUSIONS — The following are not warranted under any circumstances:

- Replacement of parts due to normal wear and tear;
- Routine maintenance parts and services including but not limited to: maintenance requirements, engine and lower unit oil changes, lubrication, valve and linkage adjustments and replacement of fuses, zinc anodes, thermostats, timing belts, starter motor bushings, trim motor brushes, filters, propellers, propeller bushings and spark plugs;
- Damage caused by improper or lack of installation, maintenance, winterization and/or storage, failure to follow the procedures and recommendations in the Operator's Guide;
- Damage resulting from removal of parts, improper repairs, service, maintenance, or modification, or use of parts or accessories not manufactured or approved by BRP, which in its reasonable judgment, are either incompatible with Product or adversely affect its operation, performance, or durability, or resulting from repairs done by a person that is not an authorized Dealer;
- Damage caused by abuse, misuse, abnormal use, neglect, racing, improper operation or operation of the Product in a manner inconsistent with the recommended operation described in the Operator's Guide;
- Damage resulting from external damage, accident, submersion, water ingestion, fire, theft, vandalism or any act of God;
- Operation without proper fuel, oil or lubrication, or with fuels, oils or lubricants which are not suitable for use with the Product (see the Operator's Guide);
- Damage resulting from rust or corrosion;
- Damage caused from cooling system blockage by foreign material;
- Damage resulting from sand or debris in the water pump;
- Cosmetic or paint changes due to exposure to the elements.
- This warranty will be voided in its entirety and rendered null and void where:
 - Product has been altered or modified in such a way so as to adversely affect its operation, performance or durability, or change its intended use, horsepower or emission levels; or
 - Product is or has been used for racing at any point, even by a prior owner.

3. LIMITATIONS OF LIABILITY

ALL WARRANTIES, EXPRESSED OR IMPLIED, INCLUDING WITHOUT LIMITATION ANY WARRANTY OF MERCHANTABILITY OR FITNESS FOR A PARTICULAR PURPOSE ARE LIMITED IN DURATION TO THE LIFE OF THE EXPRESS LIMITED WARRANTY.

ALL INCIDENTAL, CONSEQUENTIAL, DIRECT, INDIRECT OR OTHER DAMAGES OF ANY KIND ARE EXCLUDED FROM COVERAGE UNDER THIS WARRANTY INCLUDING, BUT NOT LIMITED TO: expense for gasoline, expense for transporting Product to and from Dealer, removal of Product from a boat and reinstallation, mechanic's travel time, in-and-out of water charges, slip or dock fees, trailering or towing, storage, telephone, cell phone, fax or telegram charges, rental of a like or replacement Product or boat during warranty services or down time, taxi, travel, lodging, loss of or damage to personal property, inconvenience, cost of insurance coverage, loan payments, loss of time, loss of income, revenue or profits, or loss of enjoyment or use of Product.

SOME STATES, PROVINCES, OR JURISDICTIONS DO NOT ALLOW FOR THE DISCLAIMERS, LIMITATIONS OF INCIDENTAL OR CONSEQUENTIAL DAMAGES, OR OTHER EXCLUSIONS IDENTIFIED ABOVE. AS A RESULT, THEY MAY NOT APPLY TO YOU. THIS WARRANTY GIVES YOU SPECIFIC RIGHTS, AND YOU MAY ALSO HAVE OTHER LEGAL RIGHTS WHICH MAY VARY FROM STATE TO STATE, OR PROVINCE TO PROVINCE.

No distributor, Dealer or any other person is authorized to make any affirmation, representation or warranty regarding Product other than those contained in this limited warranty and, if made, shall not be enforceable against BRP. BRP reserves the right to modify this warranty at any time, being understood that such modification will not alter the warranty conditions applicable to the Products sold while this warranty is in effect.

4. WARRANTY COVERAGE PERIOD

This limited warranty will be in effect from the date of delivery to the first retail consumer or the date the Product is first put to use, whichever occurs first, for a period of:

THIRTY-SIX (36) CONSECUTIVE MONTHS for private, recreational use; or

TWELVE (12) CONSECUTIVE MONTHS for commercial use, except that exhaust emission-related components are warranted for sixty (60) consecutive months or one hundred seventy five (175) hours of engine use, whichever occurs first; and evaporative emission related components are warranted for twenty-four (24) consecutive months. The Product is used commercially when it is used in connection with any work or employment that generates income, during any part of the warranty period. The Product is also used commercially when, at any point during the warranty period, it is installed on a boat that has commercial tags or is licensed for commercial use. Please see your Authorized *Evinrude* Outboard Engine Dealer for emission-related service.

In cases where the delivery date is not established to BRP's satisfaction, the date of sale will be used to determine the warranty start date.

The repair or replacement of parts or the performance of service to Product under this warranty does not extend the life of this limited warranty beyond its original expiration date. All *Evinrude/Johnson® Genuine Parts* and accessories installed by an authorized dealer at the time of sale, including but not limited to propellers, bear the standard BRP parts and accessories one-year limited warranty.

California residents who purchased or warranty-registered a Product in California should refer to BRP's California Emissions Control Warranty Statement.

5. CONDITIONS TO HAVE WARRANTY COVERAGE

This warranty coverage is available only on *Evinrude* outboard engines purchased as new and unused from a dealer authorized to distribute *Evinrude* products in the country in which the sale occurred ("Dealer"), and then only after the BRP specified pre-delivery inspection process has been completed and documented by the purchaser and Dealer. Warranty coverage only becomes available upon proper registration of Product by Dealer or owner.

Only the original purchaser and any subsequent owners who reside in the United States and Canada and have purchased Product from a U.S. or Canadian Dealer are eligible for warranty registration and warranty coverage hereunder. Such limitations are necessary in order to allow BRP to protect the safety of its products, its consumers, and the general public.

As outlined in the Operator's Guide, timely routine required maintenance must be performed to maintain warranty coverage. BRP may require proof of proper maintenance prior to authorizing warranty coverage.

6. WHAT TO DO TO OBTAIN WARRANTY COVERAGE

The registered owner must notify an authorized Dealer within two (2) days of the appearance of a defect. Owner must bring Product, including any defective part therein, to Dealer promptly after the appearance of the defect, and in any event, within the warranty period, and must provide Dealer with reasonable opportunity to repair the defect. The expenses of transporting Product to and from Dealer for warranty service are to be borne by the owner.

If the Product has not previously been registered, the owner may also be required to present proof of purchase to Dealer for warranty repairs. Owner is required to sign the repair/work order prior to the start of the repair in order to validate the warranty repair.

All parts replaced under this warranty become the property of BRP.

7. WHAT BRP WILL DO

BRP's obligations under this warranty are limited to, at its sole discretion, repairing or replacing parts of Product found to be defective in material or workmanship, in the reasonable judgment of BRP. Such repair or replacement of parts will be done without charge for parts and labor, at any authorized Dealer. BRP's responsibility is limited to making the required repairs or replacements of parts with new or BRP-certified re-manufactured parts. No claim of breach of warranty shall be cause for cancellation or rescission of the sale of Product to owner.

In the event that warranty service is required outside of the fifty United States or Canada, owner will bear responsibility for any additional charges due to local practices and conditions, such as, but not limited to, freight, insurance, taxes, license fees, import duties, and any and all other financial charges, including those levied by governments, states, territories and their respective agencies.

BRP reserves the right to improve, modify or change Products from time to time without assuming any obligation to modify Products previously manufactured.

8. TRANSFER

If the ownership of Product is transferred during the warranty coverage period, this warranty shall also be transferred and be valid for the remaining coverage period provided that the former or new owner promptly contacts BRP or Dealer and gives the name and address of the new owner.

9. CONSUMER ASSISTANCE

- In the event of a controversy or dispute in connection with this BRP limited warranty, BRP recommends that you first try to resolve the issue at the dealership level by discussing the issue with Dealer's service manager or owner;
- If further assistance is required, please contact BRP US Inc. / Outboard Engines Division, After Sales Support, P.O Box 597, Sturtevant, WI 53177, 1-847-689-7090.

BOMBARDIER RECREATIONAL PRODUCTS LIMITED WARRANTY FOR 2012 EVINRUDE OUTBOARD ENGINES SOLD OUTSIDE THE UNITED STATES AND CANADA

For a copy of the Limited Warranty, see your Bombardier Recreational Products ("BRP") distributor/dealer authorized to distribute Evinrude products in the country in which the sale occurs.

If further assistance is required, please contact BRP US Inc. / Outboard Engines Division, After Sales Support, P.O Box 597, Sturtevant, WI 53177, or the affiliate of BRP where the Product was registered for warranty.

* Engines sold in Canada are distributed and serviced by Bombardier Recreational Products Inc.

Limited Warranty Revision US/CA March 2011

California Emission Control Warranty Statement

Your Evinrude 4-Stroke outboard has a special environmental label required by the California Air Resources Board. The label has one, two, three, or four stars. A hangtag, provided with your outboard, describes the meaning of the star rating system.

The Star Label Means Cleaner Marine Engines



The Symbol for Cleaner Marine Engines:

- Cleaner Air and Water
- Better Fuel Economy
- Longer Emission Warranty

One Star – Low Emission

The one-star label identifies Personal Watercraft, Outboard, Sterndrive and Inboard engines that meet the Air Resource Board's Personal Watercraft and Outboard marine engine 2001 exhaust emission standards. Engines meeting these standards have 75% lower emissions than conventional carbureted two-stroke engines. These engines are equivalent to the U.S. EPA's 2006 standards for marine engines.

Two Stars – Very Low Emission

The two-star label identifies Personal Watercraft, Outboard, Sterndrive and Inboard engines that meet the Air Resources Board's Personal Watercraft and Outboard marine engine 2004 exhaust emission standards. Engines meeting these standards have 20% lower emissions than One Star – Low Emission engines.

Three Stars – Ultra Low Emission

The three-star label identifies engines that meet the Air Resources Board's Personal Watercraft and Outboard marine engine 2008 exhaust emission standards or the Sterndrive and Inboard marine engine 2003 exhaust emission standards. Engines meeting these standards have 65% lower emissions than One Star – Low Emission engines.

Four Stars – Super Ultra Low Emission

The four-star label identifies engines that meet the Air Resources Board's Sterndrive and Inboard marine engine 2009 exhaust emission standards. Personal Watercraft and Outboard marine engines may also comply with these standards. Engines meeting these standards have 90% lower emission than One Star – Low Emission engines.

For more information: Cleaner Watercraft – Get the Facts
1-800-END-SMOG
www.arb.ca.gov

YOUR EMISSION CONTROL WARRANTY RIGHTS AND OBLIGATION

The California Air Resources Board and Bombardier Recreational Products ("BRP") are pleased to explain the emission control system warranty on your 2012 Evinrude 4-Stroke outboard. In California, new outboard engines must be designed, built, and equipped to meet the State's stringent anti-smog standards. BRP must warrant the emission control system on your outboard for the periods of time listed below provided there has been no abuse, neglect, or improper maintenance of your outboard.

Your emission control system may include parts such as the carburetor or fuel injection system, the ignition system, and catalytic converter. Also included may be hoses, belts, connectors, and other emission-related assemblies.

Where a warrantable condition exists, BRP will repair your outboard at no cost to you including diagnosis, parts, and labor provided that such work is performed by an authorized BRP dealer.

Manufacturer’s Limited Warranty Coverage

This emission limited warranty covers Evinrude outboards certified and produced by BRP for sale in California, that are originally sold in California to a California resident, or subsequently warranty-registered to a California resident. The BRP U.S. and Canada limited warranty conditions for Evinrude outboards are still applicable to these models with the necessary modifications.

Select emission control parts of your Evinrude 4-Stroke outboard are warranted from the date of purchase by the first retail consumer or the date the product is first put to use, whichever occurs first, for a period of: 4 years, or for 250 hours of use, whichever occurs first.

However, warranty coverage based on the hourly period is only permitted for outboards equipped with the appropriate hour meters or their equivalent. If any emission-related part on your engine is defective under warranty, the part will be repaired or replaced by BRP. Parts covered are:

1. Electrical System	5. Air Induction System	6. Fuel System
Ignition Control Module	Timing Chain/Belt and Tensioner	Fuel Pump
Spark Plugs, Boots and/or Wires	Camshaft	Carburetor and Internal Parts
Ignition Coils	Throttle Linkage	Accelerator Pump
Wiring Harness	Intake Manifold	Choke System
2. Exhaust System	3. Sensors	Crankcase Ventilation System
Engine Holder	Cylinder Temperature Sensor	Fuel Lines Fittings and Clamps
Oil Pan	4. Gaskets	7. Other
Exhaust Housing	All Emission Component Gaskets	Thermostat
Exhaust Valves		

The emission warranty covers damage to other engine components that is caused by the failure of a warranted part.

The BRP Operator’s Guide provided contains written instructions for the proper maintenance and use of your outboard. All emission warranty parts are warranted by BRP for the entire warranty period of the outboard, unless the part is scheduled for replacement as required maintenance in the Operator’s Guide.

Emission warranty parts that are scheduled for replacement, as required maintenance, are warranted by BRP for the period of time before the first scheduled replacement date for that part. Emission warranty parts that are scheduled for regular inspection but not regular replacement are warranted by BRP for the entire warranty period of the outboard. Any emission warranty part repaired or replaced under the terms of this warranty statement is warranted by BRP for the remainder of the warranty period of the original part. All parts replaced under this limited warranty become the property of BRP.

Maintenance receipts and records should be transferred to each subsequent owner of the outboard.

Owner’s Warranty Responsibilities

As the outboard owner, you are responsible for the performance of the required maintenance listed in your Operator’s Guide. BRP recommends that you retain all receipts covering maintenance on your outboard, but BRP cannot deny warranty solely for the lack of receipts or your failure to ensure the performance of all scheduled maintenance.

As the outboard owner, you should however be aware that BRP may deny you warranty coverage if your outboard or a part has failed due to abuse, neglect, improper maintenance, or unapproved modifications. You are responsible for presenting your outboard to an authorized BRP dealer as soon as a problem exists. The warranty repairs will be completed in a reasonable amount of time, not to exceed 30 days.

For any questions regarding your warranty rights and responsibilities or for the name and location of the nearest authorized BRP dealer, contact BRP US Inc. / Outboard Engines Division, After Sales Support, P.O. Box 597, Sturtevant, WI 53177, 1-847-689-7090 or visit www.evinrude.com.

Product Warranty Information

BRP LIMITED WARRANTY FOR 2012 EVINRUDE OUTBOARD ENGINES USED IN EUROPEAN UNION MEMBER STATES, TURKEY, AUSTRALIA, NEW ZEALAND AND JAPAN

1. SCOPE OF THE LIMITED WARRANTY

Bombardier Recreational Products Inc. ("BRP") warrants its Evinrude® outboard engines that are sold by authorized Evinrude distributors / dealers and exclusively used, during the warranty period, in European Union member states, Turkey, Australia, New Zealand or Japan ("Product") from defects in material or workmanship for the period and under the conditions described below. For the purpose of this limited warranty.

All Evinrude/Johnson® Genuine Parts and accessories, including but not limited to propellers, gauges, oil tanks, remote controls, wiring and key switches that are installed by an authorized distributor / dealer at the time of sale, whether or not shipped with Product, bear the standard BRP limited warranty for Evinrude/Johnson Genuine Parts and accessories. See your authorized distributor / dealer for a full copy of such limited warranty.

2. WARRANTY COVERAGE PERIOD

This limited warranty will be in effect from the date of purchase by the first retail consumer or the date the Product is first put to use, whichever occurs first, for a period of:

36 CONSECUTIVE MONTHS for private, recreational use; or

12 CONSECUTIVE MONTHS OR 750 HOURS OF OPERATION as determined by Product's Engine Management Module (EMM), whichever occurs first, for commercial use. The Product is used commercially when it is used in connection with any work or employment that generates income, during any part of the warranty period. The Product is also used commercially when, at any point during the warranty period, it is installed on a boat that has commercial tags or is licensed for commercial use.

The repair or replacement of parts or the performance of service to Product under this warranty does not extend the life of this limited warranty beyond its original expiration date.

3. CONDITIONS TO HAVE WARRANTY COVERAGE

This warranty coverage is available only if each of the following conditions has been fulfilled:

- a. Evinrude outboard engines must be purchased as new and unused by its first owner from a BRP distributor / dealer authorized to distribute Evinrude products in the country in which the sale occurred (hereinafter "Distributor / Dealer"),
- b. and then only after the BRP specified pre delivery inspection process has been completed and documented by the purchaser and Distributor / Dealer.
- c. The product must have undergone proper registration of Product by an authorized BRP Distributor / Dealer.
- d. The Evinrude products must be purchased in the country or union of countries in which the purchaser resides.
- e. Routine maintenance outlined in the operator's guide must be timely performed in order to make warranty coverage contingent upon proof of proper maintenance.

BRP will not honour this limited warranty to any private use owner or commercial use owner if the preceding conditions have not been met. Such limitations are necessary in order to allow BRP to protect the safety of its products, its consumers, and the general public.

As outlined in the Operator's Guide, timely routine required maintenance must be performed to maintain warranty coverage. BRP may require proof of proper maintenance prior to authorizing warranty coverage.

4. WHAT TO DO TO OBTAIN WARRANTY COVERAGE

Registered owner ("Owner") must notify within 2 months an authorized Distributor / Dealer of the appearance of a defect. Owner must bring Product, including any defective part therein, to Distributor / Dealer promptly after the appearance of the defect, and in any event, within the warranty period, and must provide Distributor / Dealer with reasonable opportunity to repair the defect. The expenses of transporting Product to and from Distributor / Dealer for warranty service are to be borne by the Owner.

The Owner must also present proof of purchase to the authorized BRP Distributor / Dealer for warranty repairs. Owner is required to sign the repair/work order prior to the start of the repair in order to validate the warranty repair.

All parts replaced under this warranty become the property of BRP.

Note that the notification period is subject to the applicable national or local legislation in your country.

5. WHAT BRP WILL DO

BRP's obligations under this warranty are limited to, at its sole discretion, repairing or replacing parts of Product found to be defective in material or workmanship, in the reasonable judgment of BRP. Such repair or replacement of parts will be done without charge for parts and labour, at any authorized Distributor / Dealer, under the conditions described above.

BRP's responsibility is limited to making the required repairs or replacements of parts. No claim of breach of warranty shall be cause for cancellation or rescission of the sale of Product to Owner.

In the event that warranty service is required outside of country of original sale, Owner will bear responsibility for any additional charges due to local practices and conditions, such as, but not limited to, freight, insurance, taxes, license fees, import duties, and any and all other financial charges, including those levied by governments, states, territories and their respective agencies.

BRP reserves the right to improve, modify or change Products from time to time without assuming any obligation to modify Products previously manufactured.

6. EXCLUSIONS -The following are not warranted under any circumstances:

- Replacement of parts due to normal wear and tear;
- Routine maintenance parts and services including but not limited to: maintenance requirements, lower unit oil change, lubrication, linkage adjustments and replacement of fuses, zinc anodes, thermostats, starter motor bushings, trim motor brushes, filters and spark plugs;
- Damage caused by improper installation or lack of maintenance, winterization and/or storage, failure to follow the procedures and recommendations in the Operator's Guide;
- Damage resulting from removal of parts, improper repairs, service, maintenance, or modification, or use of parts or accessories not manufactured or approved by BRP, which in its reasonable judgment, are either incompatible with Product or adversely affect its operation, performance, or durability, or resulting from repairs done by a person that is not an authorized Distributor / Dealer;
- Damage caused by abuse, misuse, abnormal use, neglect, racing, improper operation or operation of the Product in a manner inconsistent with the recommended operation described in the Operator's Guide;
- Damage resulting from accident, submersion, water ingestion, fire, theft, vandalism or any act of God;
- Operation with fuels, oils or lubricants which are not suitable for use with the Product (see the Operator's Guide);
- Damage resulting from rust or corrosion;
- Damage caused from cooling system blockage by foreign material;
- Damage resulting from sand or debris in the water pump; or
- Cosmetic or paint changes due to exposure to the elements.

This warranty will be voided in its entirety and rendered null and void where:

- Product has been altered or modified in such a way so as to adversely affect its operation, performance or durability, or has been altered or modified to change its intended use; or
- Product is or has been used for racing or any other competitive activity, at any point, even by a prior owner.

7. LIMITATIONS OF LIABILITY

ALL WARRANTIES, EXPRESSED OR IMPLIED, INCLUDING WITHOUT LIMITATION ANY WARRANTY OF MERCHANTABILITY OR FITNESS FOR A PARTICULAR PURPOSE ARE LIMITED IN DURATION TO THE LIFE OF THE EXPRESS LIMITED WARRANTY.

ALL INCIDENTAL, CONSEQUENTIAL, DIRECT, INDIRECT OR OTHER DAMAGES OF ANY KIND ARE EXCLUDED FROM COVERAGE UNDER THIS WARRANTY INCLUDING, BUT NOT LIMITED TO:

expense for gasoline, expense for transporting Product to and from Distributor / Dealer, removal of Product from a boat and reinstallation, mechanic's travel time, in-and-out of water charges, slip or dock fees, trailering or towing, storage, telephone, cell phone, fax or telegram charges, rental of a like or replacement Product or boat during warranty services or down time, taxi, travel, lodging, loss of or damage to personal property, inconvenience, cost of insurance coverage, loan payments, loss of time, loss of income, revenue or profits, or loss of enjoyment or use of Product.

SOME COUNTRIES, PROVINCES, OR JURISDICTIONS DO NOT ALLOW FOR THE DISCLAIMERS, LIMITATIONS OF INCIDENTAL OR CONSEQUENTIAL DAMAGES, OR OTHER EXCLUSIONS IDENTIFIED ABOVE. AS A RESULT, THEY MAY NOT APPLY TO YOU. THIS WARRANTY GIVES YOU SPECIFIC RIGHTS, AND YOU MAY ALSO HAVE OTHER LEGAL RIGHTS WHICH MAY VARY FROM COUNTRY TO COUNTRY, OR PROVINCE TO PROVINCE.

Neither the Distributor any BRP Distributor / Dealer nor any other person has been authorized to make any affirmation, representation or warranty regarding Product other than those contained in this limited warranty and, if made, shall not be enforceable against BRP.

BRP reserves the right to modify this warranty at any time, being understood that such modification will not alter the warranty conditions applicable to the Products sold while this warranty is in effect.

8. TRANSFER

If the ownership of Product is transferred during the warranty coverage period, this warranty shall also be transferred and be valid for the remaining coverage period provided that the former or new Owner promptly contacts BRP or Distributor / Dealer and gives the name and address of the new Owner.

9. CONSUMER ASSISTANCE

In the event of a controversy or dispute in connection with this BRP limited warranty, BRP recommends that you first try to resolve the issue at the distributorship / dealership level by discussing the issue with Distributor's / Dealer's service manager or owner;

You can also locate A BRP office or distributor through our website at www.brp.com.

If further assistance is required, please contact the Customer Support Services of a BRP affiliate at one of the following numbers, depending on your location:

Australia and New Zealand - Telephone 612-9794-6600, Fax 612-9794-6697

Europe, Turkey, Cyprus - Telephone (41) 21 318 78 00, Fax (41) 21 318 78 61

Japan - Telephone (65) 622-767-55, Fax (65) 622-629-32

Limited Warranty Revision EU March 2011

Product Warranty Information

BRP LIMITED WARRANTY FOR 2012 EVINRUDE OUTBOARD ENGINES USED IN AFRICA, MIDDLE EAST, LATIN AMERICA, PACIFIC ISLANDS, ASIA, ALBANIA, FORMER YUGOSLAVIAN REPUBLIC OF MACEDONIA, SERBIA AND MONTENEGRO, BOSNIA AND HERZEGOVINA AND THE COMMONWEALTH OF INDEPENDENT STATES

1. SCOPE OF THE LIMITED WARRANTY

Bombardier Recreational Products Inc. ("BRP") warrants its Evinrude® outboard engines ("Product") from defects in material or workmanship for the period and under the conditions described below, when they are sold by authorized Evinrude distributors / dealers and used, at any point during the warranty period, in the following territories:

- Africa,
- Middle East (excluding Turkey),
- Latin America (including but not limited to the Caribbean Islands, Bahamas and Bermuda),
- Pacific Islands (excluding Hawaii),
- Asia (excluding Japan),
- Albania, Former Yugoslavian Republic of Macedonia, Serbia and Montenegro,
- Bosnia and Herzegovina, or
- Commonwealth of Independent States (former Soviet Union) (excluding Lithuania, Latvia and Estonia)

All Evinrude/Johnson® Genuine Parts and accessories, including but not limited to propellers, gauges, oil tanks, remote controls, wiring and key switches that are installed by an authorized distributor / dealer at the time of sale, whether or not shipped with Product, bear the standard BRP limited warranty for Evinrude/Johnson Genuine Parts and accessories. See your authorized distributor / dealer for a full copy of such limited warranty.

2. EXCLUSIONS - ARE NOT WARRANTED:

The following are not warranted under any circumstances:

- Replacement of parts due to normal wear and tear;
- Routine maintenance parts and services including but not limited to: maintenance requirements, lower unit oil change, lubrication, linkage adjustments and replacement of fuses, zinc anodes, thermostats, starter motor bushings, trim motor brushes, filters and spark plugs;
- Damage caused by improper installation or lack of maintenance, winterization and/or storage, failure to follow the procedures and recommendations in the Operator's Guide;
- Damage resulting from removal of parts, improper repairs, service, maintenance, or modification, or use of parts or accessories not manufactured or approved by BRP, which in its reasonable judgment, are either incompatible with Product or adversely affect its operation, performance, or durability, or resulting from repairs done by a person that is not an authorized Distributor / Dealer;
- Damage caused by abuse, misuse, abnormal use, neglect, racing, improper operation or operation of the Product in a manner inconsistent with the recommended operation described in the Operator's Guide;
- Damage resulting from accident, submersion, water ingestion, fire, theft, vandalism or any act of God;
- Operation with fuels, oils or lubricants which are not suitable for use with the Product (see the Operator's Guide);
- Damage resulting from rust or corrosion;
- Damage caused from cooling system blockage by foreign material;
- Damage resulting from sand or debris in the water pump; or
- Cosmetic or paint changes due to exposure to the elements.

This warranty will be voided in its entirety and rendered null and void where:

- Product has been altered or modified in such a way so as to adversely affect its operation, performance or durability, or has been altered or modified to change its intended use; or
- Product is or has been used for racing or any other competitive activity, at any point, even by a prior owner.

3. LIMITATIONS OF LIABILITY

THIS WARRANTY IS EXPRESSLY GIVEN AND ACCEPTED IN LIEU OF ANY AND ALL OTHER WARRANTIES, EXPRESSED OR IMPLIED, INCLUDING WITHOUT LIMITATION ANY WARRANTY OF MERCHANTABILITY OR FITNESS FOR A PARTICULAR PURPOSE. TO THE EXTENT THAT THEY CANNOT BE DISCLAIMED, THE IMPLIED WARRANTIES ARE LIMITED IN DURATION TO THE LIFE OF THE EXPRESS LIMITED WARRANTY.

ALL INCIDENTAL, CONSEQUENTIAL, DIRECT, INDIRECT OR OTHER DAMAGES OF ANY KIND ARE EXCLUDED FROM COVERAGE UNDER THIS WARRANTY INCLUDING, BUT NOT LIMITED TO: expense for gasoline, expense for transporting Product to and from Distributor / Dealer, removal of Product from a boat and reinstallation, mechanic's travel time, in-and-out of water charges, slip or dock fees, trailering or towing, storage, telephone, cell phone, fax or telegram charges, rental of a like or replacement Product or boat during warranty services or down time, taxi, travel, lodging, loss of or damage to personal property, inconvenience, cost of insurance coverage, loan payments, loss of time, loss of income, revenue or profits, or loss of enjoyment or use of Product.

SOME STATES/PROVINCES DO NOT ALLOW FOR THE DISCLAIMERS, LIMITATIONS AND EXCLUSIONS IDENTIFIED ABOVE, AS A RESULT, THEY MAY NOT APPLY TO YOU. THIS WARRANTY GIVES YOU SPECIFIC RIGHTS, AND YOU MAY ALSO HAVE OTHER LEGAL RIGHTS WHICH MAY VARY FROM STATE TO STATE, OR PROVINCE TO PROVINCE.

Neither the Distributor / Dealer, any BRP dealer nor any other person is authorized to make any affirmation, representation or warranty regarding Product other than those contained in this limited warranty and, if made, shall not be enforceable against BRP.

BRP reserves the right to modify this warranty at any time, being understood that such modification will not alter the warranty conditions applicable to the Products sold while this warranty is in effect.

4. WARRANTY COVERAGE PERIOD

This limited warranty will be in effect from the date of purchase by the first retail consumer or the date the Product is first put to use, whichever occurs first, for a period of:

36 CONSECUTIVE MONTHS OR 750 HOURS OF OPERATION as determined by Product's Engine Management Module (EMM), whichever occurs first, for private, recreational use; or

12 CONSECUTIVE MONTHS OR 750 HOURS OF OPERATION as determined by Product's Engine Management Module (EMM), whichever occurs first, for commercial use. The Product is used commercially when it is used in connection with any work or employment that generates income, during any part of the warranty period. The Product is also used commercially when, at any point during the warranty period, it is installed on a boat that has commercial tags or is licensed for commercial use.

The repair or replacement of parts or the performance of service to Product under this warranty does not extend the life of this limited warranty beyond its original expiration date.

5. CONDITIONS TO HAVE WARRANTY COVERAGE

This warranty coverage is available only if each of the following conditions has been fulfilled:

- a. The Evinrude outboard engines must be purchased as new and unused by its first owner from a BRP distributor / dealer authorized to distribute Evinrude products in the country in which the sale occurred ("Distributor / Dealer").
- b. The BRP specified pre delivery inspection process must be completed and documented by the purchaser and Distributor / Dealer.
- c. The product must have undergone proper registration by an authorized BRP distributor/dealer.
- d. The Evinrude outboard engines must be purchased in the country or union of countries in which the purchaser resides.
- e. Product routine maintenance outlined in the Operator's Guide must be timely performed in order to maintain warranty coverage. BRP reserves the right to make warranty coverage contingent upon proof of proper maintenance.

BRP will not honour this limited warranty to any private owner use owner or commercial use owner if the preceding conditions have not been met. Such limitations are necessary in order to allow BRP to protect the safety of its products, its consumers, and the general public.

6. WHAT TO DO TO OBTAIN WARRANTY COVERAGE

Registered owner ("Owner") must notify a servicing BRP authorized Distributor / Dealer within two (2) days of the appearance of a defect. Owner must bring Product, including any defective part therein, to the authorized BRP Distributor / Dealer promptly after the appearance of the defect, and in any event, within the warranty period, and must provide BRP Distributor / Dealer with reasonable opportunity to repair the defect. The expenses of transporting Product to and from Distributor/ Dealer for warranty service are to be borne by the Owner.

The Owner must also present proof of purchase to the authorized BRP Distributor / Dealer for warranty repairs and must sign the repair/work order prior to the start of the repair in order to validate the warranty repair.

All parts replaced under this warranty become the property of BRP.

7. WHAT BRP WILL DO

BRP's obligations under this warranty are limited to, at its sole discretion, repairing or replacing parts of Product found to be defective in material or workmanship, in the reasonable judgment of BRP. Such repair or replacement of parts will be done without charge for parts and labour, at any authorized Distributor / Dealer. BRP's responsibility is limited to making the required repairs or replacements of parts. No claim of breach of warranty shall be cause for cancellation or rescission of the sale of Product to Owner.

In the event that warranty service is required outside of country of original sale, Owner will bear responsibility for any additional charges due to local practices and conditions, such as, but not limited to, freight, insurance, taxes, license fees, import duties, and any and all other financial charges, including those levied by governments, states, territories and their respective agencies.

BRP reserves the right to improve, modify or change Products from time to time without assuming any obligation to modify Products previously manufactured.

8. TRANSFER

If the ownership of Product is transferred during the warranty coverage period, this warranty shall also be transferred and be valid for the remaining coverage period provided that the former or new Owner promptly contacts BRP or Distributor / Dealer and gives the name and address of the new Owner.

9. CONSUMER ASSISTANCE

In the event of a controversy or dispute in connection with this BRP limited warranty, BRP recommends that you first try to resolve the issue at the authorized BRP distributorship / dealership level by discussing the issue with Distributor's / Dealer's service manager or owner;

You can also locate A BRP office or distributor through our website at www.brp.com.

If further assistance is required, please contact the Customer Support Services of a BRP affiliate at one of the following numbers, depending on your location:

Asia - Telephone (65) 622-767-55, Fax (65) 622-629-32

Africa, Middle East, Albania, Former Yugoslavian Republic of Macedonia, Serbia and Montenegro, Bosnia and Herzegovina and Commonwealth of Independent States (former Soviet Union)
-Telephone (41) 21 318 78 00, Fax (41) 21 318 78 61

Latin America (excluding Brazil) - Telephone 954-846-1442, Fax 954-846-1478

Brazil - Telephone 55 (19) 3246-2100, Fax 55 (19) 3246-3800

Pacific Islands - Telephone 612-9794-6600, Fax 612-9794-6697

Limited Warranty Revision Asia/Latin Am March 2011

Readiness Test

The Operator's Readiness Test...

1. Did you read this Guide from front cover to rear cover?
2. Are you ready to take responsibility for the safe operation of your boat and outboard?
3. Do you understand all the safety precautions and instructions contained in this Guide?
4. Do you understand that this Guide contains essential information to help prevent personal injury and damage to equipment?
5. Are you ready to follow the recommendations in this Guide and take a boating safety course before you operate your boat and outboard?
6. Do you know who to ask if you have any questions about your boat and outboard?
7. Do you know your local marine traffic laws?
8. Do you understand that human error can be caused by carelessness, fatigue, overload, preoccupation, unfamiliarity of operator with the product, drugs and alcohol, just to name a few?

WARNING

It is impossible for this Guide to cover every hazardous situation you may encounter; however, your understanding of and adherence to essential information contained in this Guide will build good judgment when boating. Always be alert and careful: a good foundation for safety.

Frequently Asked Questions

What fuel octane is recommended for my Evinrude 4-Stroke outboard?

Evinrude 4-Stroke outboards require a minimum octane of 87 (U.S.). Use of higher octane fuels is not harmful, but also not necessary.

What kind of oil does my Evinrude 4-Stroke outboard require?

Evinrude/Johnson Ultra 4-Stroke outboard oil is recommended for use in Evinrude 4-Stroke outboards.

If Evinrude/Johnson Ultra 4-Stroke outboard oil is not available, use a high quality SAE 10W-30, or 10W-40 oil with the NMMA certification FC-W, or with API rating SF, SG, SH, SJ, SL, SM.

Choose 10W-30, or 10W-40 oil based on ambient operating temperature. Refer to Oil Requirements on page 19.

Where should I take my Evinrude 4-Stroke outboard for service?

For repairs covered under warranty, you must take your Evinrude 4-Stroke outboard to an authorized dealer. BRP-approved dealers and distributors have received the necessary training to properly service your outboard. Contact BRP for an authorized Evinrude dealer near you.

Can I order replacement parts and accessories for my Evinrude 4-Stroke outboard?

Yes. When replacement parts are required, use Evinrude/Johnson Genuine Parts or parts with equivalent characteristics, including type, strength, and material. Using substandard parts could result in injury or product malfunction. Your dealer can order the parts and accessories you desire.

Do I need to complete any paperwork when I move or sell my Evinrude 4-Stroke outboard?

Yes. In order to maintain contact with you or the new Evinrude 4-Stroke owner, BRP requests you complete the form outlining Change of Address / Change of Ownership. This will ensure you or the new owner is made aware of any product announcements and keep the warranty coverage up-to-date.

What do I need to do before storing my Evinrude 4-Stroke outboard for the winter?

Winterization is minimal. Refer to Off Season Storage for step-by-step instructions to store your Evinrude 4-Stroke outboard for the off-season.



Change of Address / Change of Ownership

If your address has changed or if there has been a change of ownership, be sure to fill out and mail the form provided on this page.

This notification is necessary for your own safety even after expiration of the original warranty, since BRP will be in a position to contact you if correction to your outboard is required. Outside the U.S. and Canada, this card should be sent to the Bombardier Recreational Products division where the outboard was registered. Please contact your Dealer or Distributor.



Change of Address <input type="checkbox"/>	Change of Ownership <input type="checkbox"/>
Model number	<input type="text"/>
Serial Number	<input type="text"/>
Old Address/ Previous Owner	
Last name	<input type="text"/>
First name	<input type="text"/> M.I. <input type="text"/>
Address	<input type="text"/>
City	<input type="text"/> State <input type="text"/>
Zip code	Country <input type="text"/>
Phone number	<input type="text"/>
Signature	Date <input type="text"/>
New Address/ New Owner	
Type of Use	<input type="checkbox"/> Recreational <input type="checkbox"/> Commercial <input type="checkbox"/> Government
Last name	<input type="text"/>
First name	<input type="text"/> M.I. <input type="text"/>
Address	<input type="text"/>
City	<input type="text"/> State <input type="text"/>
Zip code	Country <input type="text"/>
Phone number	<input type="text"/>
Signature	Date <input type="text"/>
Dealer Information	
Dealer name	<input type="text"/>
Dealer number	<input type="text"/>
Phone number	<input type="text"/>
Contact name	<input type="text"/>

In the U.S. or Canada, mail completed form to: BRP US Inc. / Outboard Engines Division
 After Sales Support
 P.O Box 597
 Sturtevant, WI 53177



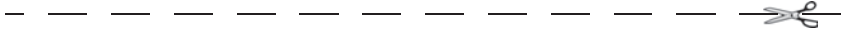
Confirmation of Receipt

Your Dealer

Name:	_____

Address:	_____

Upon delivery of your new *Evinrude/Johnson* outboard, complete and sign the form below. Your Dealer will take receipt of the form for their records.



Receipt

Name:	_____

Address:	_____

Owner of Model No:	_____
Serial No:	_____
	(To be completed by customer or selling Dealer)
<p>The Dealer named on this document has instructed me on the operation, maintenance, safety features and warranty policy, all of which I understand and agree to be bound with. I am also satisfied with the predelivery set-up and inspection of my <i>Evinrude/Johnson</i> outboard. I have also received a copy of the Operator's Guide.</p>	
Signature:	_____
Date:	_____



EVINRUDE[®]
SPEND MORE TIME ON THE WATER™

