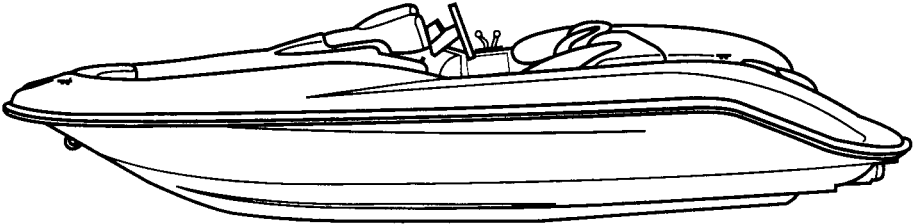


---

## 1996 SEA-DOO JET BOATS OPERATOR'S GUIDE SUPPLEMENT



○ **NOTE :** This supplement must be used in conjunction with the *1996 Operator's Guide* P / N 219 000 037.

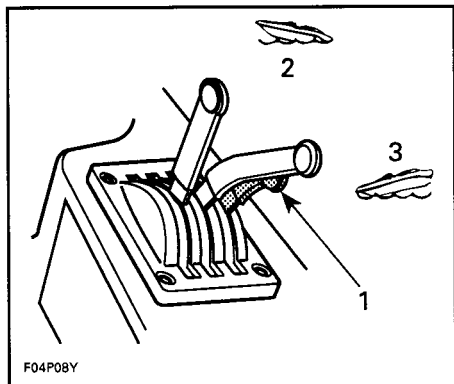
▼ **CAUTION :** The Challenger model features a 787 engine type which requires the use of **Bombardier-Rotax Formula XP-S SYNTHETIC** injection oil (P / N 413 710 500) (or the equivalent synthetic oil). The use of any other non-synthetic type oil may cause severe damage to internal parts of the engine.



## PAGE 28

### 5) VTS Lever (If Equipped)

CHANGE : Pushing the lever forward raises the bow and conversely, pulling the lever rearward lowers the bow.

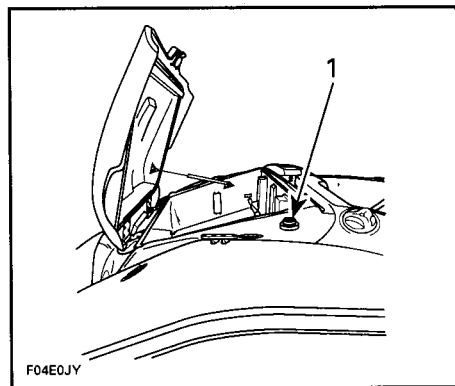


1. VTS lever
2. Bow up
3. Bow down

## PAGE 40

### 40) Flushing Connector(s)

ADDITION : For your convenience, there are additional flushing connector(s). Lift rear storage compartment cover to expose it (them) on the edge of engine compartment.



1. Flushing connector with its cap

## PAGE 42

### CHANGE FOR CHALLENGER ONLY :

Recommended oil : Use only BOMBARDIER-ROTAX FORMULAXP-S synthetic injection oil.

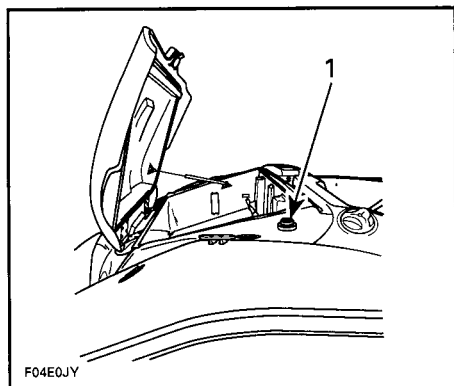
This fully synthetic oil will provide outstanding cleanliness, less friction and wear for greater engine performance and durability.

## PAGE 53

ADD before item 3 :

○ NOTE : Either of the flushing connector(s) can be used. The one(s) on the transom, or the one(s) in the engine compartment area.

ADD before item 4 :

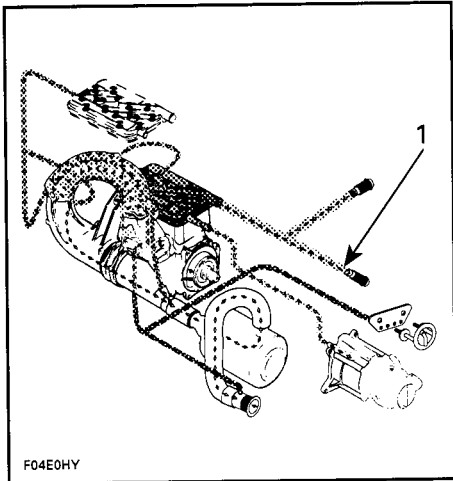


1. Flushing connector with its cap

### Flushing from the upper connector(s)

For proper flushing, it is necessary to prevent water going out directly by the flushing connector on the transom. Install a hose pincher (not supplied) (P / N 529 030 400) on the hose between the transom and the T-fitting as shown.

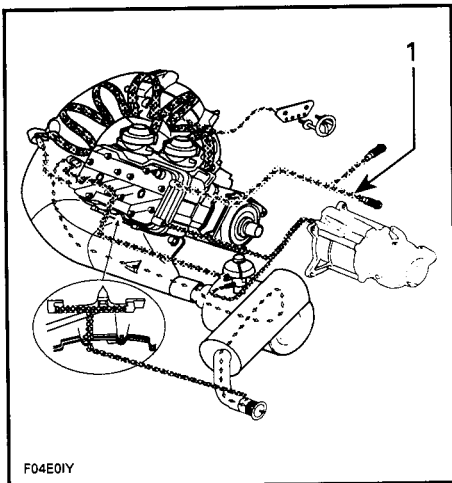
## Sportster and Speedster



TYPICAL

1. Install a hose pincher in this section

## Challenger



TYPICAL

1. Install a hose pincher in this section

## PAGE 68

### Additional Recommended Protection

The following updates the procedure :

### Additional Recommended Protection

In cool regions (where freezing point temperature may be encountered), cooling system should be filled with water and antifreeze solution. (50% water, 50% antifreeze).

▼ **CAUTION :** Always use ethylene-glycol antifreeze containing corrosion inhibitors specifically recommended for aluminum engines.

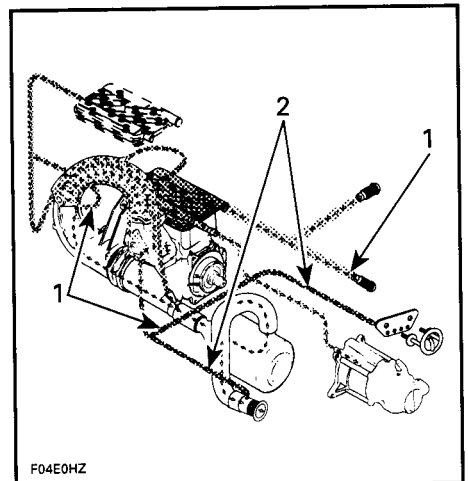
○ **NOTE :** The engine will not have to run during this operation.

Two hoses have to be disconnected to allow air to escape and antifreeze solution to completely fill cooling system water jackets.

Install a hose pincher (not supplied) on water injection hose, on the Cooling System Indicator (CSI) tube and outlet hose between T-fitting and transom.

Disconnect hoses where shown.

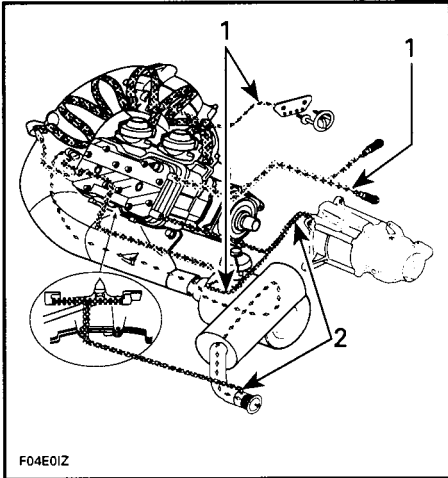
### Sportster and Speedster



TYPICAL

1. Install a hose pincher on water injection hose, CSI hose and outlet hose between T-fitting and transom
2. Disconnect here

## Challenger



F04E01Z

### TYPICAL

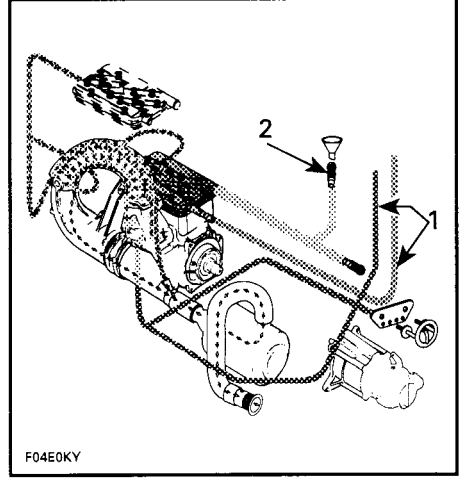
1. Install a hose pincher on water injection hose, CSI hose and outlet hose between T-fitting and transom
2. Disconnect here

Raise all hoses above the highest point of tuned pipe and temporarily tie them together.

Unscrew cap and insert a funnel into the flushing fitting on the edge of engine compartment. Pour about 2 liters (1/2 gal) of antifreeze solution through the funnel.

**NOTE:** If hoses are not attached higher than tuned pipe, coolant will drain out.

## Sportster and Speedster

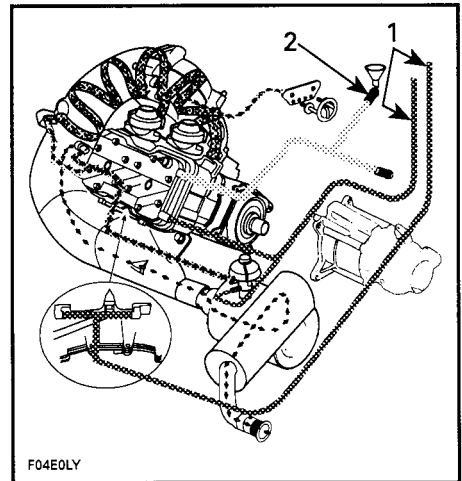


F04E0KY

### TYPICAL

1. Hold hoses higher than tuned pipe
2. Flushing fitting

## Challenger Model



F04E0LY

### TYPICAL

1. Hold hoses higher than tuned pipe
2. Flushing fitting

Repeat the same procedure for the other engine (if equipped).

---

The following steps should be performed to provide the boat enhanced protection.

Remove muffler and drain out as much water as possible. Reinstall muffler.

**OR :** Disconnect one hose from muffler and pour some antifreeze liquid inside muffler. Reconnect hose.

The remainder procedure in the original *operator's guide* is up to date.

**PAGE 75**

CHANGE ON SPEEDSTER (5894) :

Battery : 2 batteries (supplied), 12V, 19A.

**PAGE 77**

CHANGE ON CHALLENGER (5896) :

Lubrication, oil type : BOMBARDIER-ROTAX FORMULA XP-S SYNTHETIC INJECTION OIL.





**P219000055 CA 001**

OPER.GUIDE SUPP./JET BOATS  
MADE IN: CANADA QTE: 1