

ski-doo®



REV GEN4 UTILITY E-TEC AND EFI SERIES

OPERATOR'S GUIDE

Includes Safety, Vehicle and Maintenance
Information

NON

⚠ WARNING

Read this guide thoroughly. It contains important safety information.
Minimum recommended operators age: 16 years old.
Keep this operator's guide with the vehicle at all times.

520002612

**Original
Instructions**

 **WARNING**

This vehicle may exceed the performance of other vehicles you may have ridden in the past. Take time to familiarize yourself with your new vehicle.

CALIFORNIA PROPOSITION 65 WARNING

 **WARNING**

Operating, servicing and maintaining an off-road vehicle can expose you to chemicals including engine exhaust, carbon monoxide, phthalates, and lead, which are known to the State of California to cause cancer and birth defects or other reproductive harm. To minimize exposure, avoid breathing exhaust, do not idle the engine except as necessary, service your vehicle in a well-ventilated area and wear gloves or wash your hands frequently when servicing your vehicle. For more information go to www.p65warnings.ca.gov/products/passenger-vehicle.

™® Trademarks of BRP or its affiliates.

This is a non-exhaustive list of trademarks that are the property of Bombardier Recreational Products Inc. or its affiliates:

D.E.S.S.™

E-TEC®

HPG™

LYNX®

RAVE™

RER™

ROTAX®

XPST™

The KYB Pro series is a registered mark of KYB America LLC.

All rights reserved. No parts of this Operator's Guide may be reproduced in any form without the prior written permission of Bombardier Recreational Products Inc.

©Bombardier Recreational Products Inc. (BRP) 2021

BRP Inc.

In Canada, products are distributed and serviced by Bombardier Recreational Products Inc. (BRP).

In the USA, products are distributed and serviced by BRPUS Inc.

In the European Economic Area (which is comprised of the member states of the European Union plus the United Kingdom, Norway, Iceland and Liechtenstein), the Commonwealth of the Independent States (including Ukraine and Turkmenistan) and Turkey, products are distributed and serviced by BRP European Distribution S.A. and other affiliates or subsidiaries of BRP.

For all other countries, products are distributed and serviced by Bombardier Recreational Products Inc. (BRP) or its affiliates.

Deutsch	Dieses Handbuch ist möglicherweise in Ihrer Landessprache verfügbar. Bitte wenden Sie sich an Ihren Händler oder besuchen Sie: www.operatorsguides.brp.com
English	This guide may be available in your language. Check with your dealer or go to: www.operatorsguides.brp.com
Español	Es posible que este manual esté disponible en su idioma. Consulte a su distribuidor o visite: www.operatorsguides.brp.com
Français	Ce guide peut être disponible dans votre langue. Vérifier avec votre concessionnaire ou aller à: www.operatorsguides.brp.com
Italiano	Questa guida potrebbe essere disponibile nella propria lingua. Contattare il concessionario o consultare: www.operatorsguides.brp.com
中文	本手册可能有您的语种的翻译版本。请向经销商问询，或者登录 www.operatorsguides.brp.com 查询。
日本語	このガイドは、言語によって翻訳版が用意されています。ディーラーに問い合わせるか、次のアドレスでご確認ください： www.operatorsguides.brp.com
Nederlands	Deze handleiding kan beschikbaar zijn in uw taal. Vraag het aan uw dealer of ga naar: www.operatorsguides.brp.com
Norsk	Denne boken kan finnes tilgjengelig på ditt eget språk. Kontakt din forhandler eller gå til: www.operatorsguides.brp.com
Português	Este manual pode estar disponível em seu idioma. Fale com sua concessionária ou visite o site: www.operatorsguides.brp.com
Русский	Воспользуйтесь руководством на вашем языке. Узнайте о его наличии у дилера или на странице по адресу www.operatorsguides.brp.com
Suomi	Käyttöohjekirja voi olla saatavissa omalla kielelläsi. Tarkista jälleenmyyjältä tai käy osoitteessa: www.operatorsguides.brp.com
Svenska	Denna bok kan finnas tillgänglig på ditt språk. Kontakta din återförsäljare eller gå till: www.operatorsguides.brp.com

Models		
Tundra	Sport	600 EFI
	LT	
Skandic	Sport	600 EFI
	WT	
	WT	600R E-TEC
	SWT	

TABLE OF CONTENTS

GENERAL INFORMATION

GENERAL INFORMATION	10
Know Before you Go	10
Safety Messages	10
About this Operator's Guide	11
Respect of the Environment	11

SAFETY INFORMATION

BEFORE YOU GO	16
Operating Age and Ability	16
Drugs and Alcohol	16
Avalanche Safety Training Courses	16
Protective Gear	17
Required Equipment	17
GET FAMILIAR WITH THE SNOWMOBILE	19
Track Propulsion System	19
Steering	19
Tether Cord	20
Braking	20
Parking Brake	20
Carrying Loads	20
Towing Loads	21
Towing Another Snowmobile	22
Accessories and Modifications	22
Traction Enhancing Products	23
RIDE SAFELY	27
Rider Position (Forward Operation)	27
Rider Position (Reverse Operation)	29
Riding with Passenger(s)	29
Riding Alone	30
Riding in a Group	30
Avoiding Collisions	32
Riding Behaviors	33
Speeding	33
Moving Parts	33
Know Terrain and Riding Variations	34
Respect of the Wildlife	38
Carbon Monoxide Poisoning	38
Gasoline Fires and Other Hazards	39
Burns from Hot Parts	39
PRACTICE EXERCISES	40
Where to Practice Exercises	40
Exercises to Practice	40
FUELING	43
Fueling Procedure	43

INJECTION OIL	44
VEHICLE TRANSPORTATION	45
SAFETY INFORMATION ON THE VEHICLE	46
Hang Tag(s).....	46
Vehicle Safety Labels.....	49
Technical Information Labels.....	74
PRE-RIDE INSPECTION	79
Before Starting the Engine.....	79
After Engine is Started.....	79
Pre-Ride Check List.....	80
REPORTING SAFETY DEFECTS	82

VEHICLE INFORMATION

PRIMARY CONTROLS	84
Handlebar.....	84
Throttle Lever.....	84
Emergency Engine Stop Switch.....	85
Brake Lever.....	87
Parking Brake Lever.....	88
Engine Cut-off Switch.....	90
SECONDARY CONTROLS	92
Handlebar Multifunction Switch.....	92
Console Switches (if equipped).....	96
Gearshift Lever.....	99
Horn Button (if equipped).....	101
BODY AND SEAT	102
Front and Rear Bumpers.....	102
Windshield.....	104
Adjustable Mirrors.....	107
Front Storage Compartment.....	108
Upper Body Module.....	109
Side Panels.....	116
Seat.....	118
EQUIPMENT	123
Operator's Guide.....	123
Mountain Strap.....	123
Electric Visor Jack Connector.....	124
Drive Belt Guard.....	124
Spare Drive Belt Holder.....	127
Tools.....	129
Rear Storage Compartment.....	131
Hitch (if equipped).....	134
4.5" DIGITAL DISPLAY	138
Multifunction Display.....	138
Warning Lamps and Indicators.....	140
Settings.....	142

TABLE OF CONTENTS

FUEL	144
Fuel Requirements	144
Fueling Procedure	145
INJECTION OIL	148
Recommended Injection Oil	148
Injection Oil Level Verification	148
BREAK-IN PERIOD	150
Operation During Break-In.....	150
BASIC PROCEDURES	151
Engine Starting Procedure.....	151
Emergency Starting	152
Vehicle Warm-Up	152
Shifting in High or Low range.....	153
Reverse (RER).....	153
Shutting Off the Engine	156
RIDING CONDITIONS AND YOUR SNOWMOBILE	157
Altitude.....	157
Temperature.....	157
Hard Packed Snow	157
TUNE YOUR RIDE	159
Rear Suspension Adjustments	160
Adjustment Tips According to Vehicle Behavior.....	171

MAINTENANCE

MAINTENANCE SCHEDULE	174
MAINTENANCE PROCEDURES	177
Engine Coolant.....	177
Exhaust System.....	178
Spark Plugs	179
Brake Fluid	179
Chaincase Oil	182
Gearbox Oil.....	186
Drive Chain	190
Drive Belt	191
Track	196
Suspension	204
Skis.....	207
Fuses.....	207
Headlights	210
Battery	214
VEHICLE CARE	221
Post-Operation Care	221
Vehicle Cleaning and Protection	221
STORAGE	223
Engine Storage Procedure.....	224

TECHNICAL INFORMATION

VEHICLE IDENTIFICATION	230
Vehicle Description Decal	230
Identification Numbers	230
REGULATION (EU) 2016/1628 APPLICABLE FOR NON-ROAD MOBILE MACHINERIES	232
COMPLIANCE LABELS	234
EPA Compliance Label	234
SSCC Label	235
NOISE EMISSION AND VIBRATION VALUES	236
EU DECLARATION OF CONFORMITY	237
UK DECLARATION OF CONFORMITY	238
EAC DECLARATION OF CONFORMITY	239
EPA CERTIFIED ENGINES	240
Engine Emissions Information	240
RADIO FREQUENCY DIGITALLY ENCODED SECURITY SYS- TEM (RF D.E.S.S. KEY)	242
TECHNICAL SPECIFICATIONS	243
Engine	243
Vehicle	245

TROUBLESHOOTING

TROUBLESHOOTING GUIDELINES	254
MONITORING SYSTEM	257
Pilot Lamps, Messages and Beeper Codes	257
Fault Codes	261

WARRANTY

BRP LIMITED WARRANTY USA AND CANADA: 2022 SKI-DOO® SNOWMOBILES	264
SCOPE OF THE LIMITED WARRANTY	264
LIMITATIONS OF LIABILITY	264
EXCLUSIONS – ARE NOT WARRANTED	264
WARRANTY COVERAGE PERIOD	265
CONDITIONS REQUIRED FOR WARRANTY COVERAGE	265
WHAT TO DO TO OBTAIN WARRANTY COVERAGE	266
WHAT BRP WILL DO	266
TRANSFER	267
CONSUMER ASSISTANCE	267
US EPA EMISSION-RELATED WARRANTY	268
Emission-Related Warranty Period	268
Components Covered	269
Limited Applicability	270

TABLE OF CONTENTS

**BRP INTERNATIONAL LIMITED WARRANTY: 2022 SKI-DOO®
SNOWMOBILES** 271

 SCOPE OF THE LIMITED WARRANTY 271

 LIMITATIONS OF LIABILITY 271

 EXCLUSIONS – ARE NOT WARRANTED 272

 WARRANTY COVERAGE PERIOD 272

 CONDITIONS TO HAVE WARRANTY COVERAGE 273

 WHAT TO DO TO OBTAIN WARRANTY COVERAGE 274

 WHAT BRP WILL DO 274

 TRANSFER 274

 CONSUMER ASSISTANCE 275

**BRP LIMITED WARRANTY FOR THE EUROPEAN ECONOMIC
AND THE COMMONWEALTH OF THE INDEPENDENT STATES
(CIS) AREAS AND TURKEY: 2022 SKI-DOO®
SNOWMOBILES** 276

 SCOPE OF THE LIMITED WARRANTY 276

 LIMITATIONS OF LIABILITY 276

 EXCLUSIONS – ARE NOT WARRANTED 277

 WARRANTY COVERAGE PERIOD 277

 CONDITIONS TO HAVE WARRANTY COVERAGE 278

 WHAT TO DO TO OBTAIN WARRANTY COVERAGE 278

 WHAT BRP WILL DO 279

 TRANSFER 279

 CONSUMER ASSISTANCE 279

MAINTENANCE RECORDS 281

CUSTOMER INFORMATION

PRIVACY INFORMATION 290

CONTACT US 291

 Asia 291

 Europe 291

 North America 291

 Oceania 291

 South America 291

CHANGE OF ADDRESS/OWNERSHIP 292

GENERAL INFORMATION

GENERAL INFORMATION

Know Before you Go

To learn how to reduce the risk for you, your passenger or bystanders being injured or killed, read the following sections before you operate the vehicle:

- *Safety Information*
- *Vehicle Information.*

Also read all safety labels on your snowmobile and watch attentively the safety video located at:

www.ski-doo.com/safety.

Or, use the following QR code.



Safety Messages

This operator's guide utilizes the following symbols and words to emphasize particular information:

The safety alert symbol  indicates a potential injury hazard.

WARNING

Indicates a potential hazard which, if not avoided, could result in serious injury or death.

CAUTION

Indicates a hazard situation which, if not avoided, could result in minor or moderate injury.

NOTICE

Indicates an instruction which, if not followed, could severely damage vehicle components or other property.

About this Operator's Guide

This operator's guide has been prepared to acquaint the owner, operator and passenger with this snowmobile and its various controls, maintenance and safe riding instructions.

The following terminology in regards to operator, passenger and vehicle configuration is used as follows throughout this guide:

- **Operator:** refers to the person being behind the controls and driving the snowmobile.
- **Passenger:** refers to a person sitting behind the operator.
- **1-UP:** refers to a model designed for an operator only.
- **2-UP:** refers to a model designed to accommodate **one** passenger.

Keep this operator's guide in the vehicle as you can refer to it for the operation, instructing others, maintenance and troubleshooting.

Note that this guide is available in several languages. In the event of any discrepancy, the English version shall prevail.

If you want to view and/or print an extra copy of your operator's guide, simply visit the following website:

www.operatorsguides.brp.com

The information contained in this document is correct at the time of publication. BRP, however, maintains a policy of continuous improvement of its products without imposing upon itself any obligation to install them on products previously manufactured. Due to late changes, some differences between the manufactured product and the descriptions and/or specifications in this guide may occur. BRP reserves the right at any time to discontinue or change specifications, designs, features, models or equipment without incurring any obligation upon itself.

This operator's guide should remain with the vehicle when it's sold.

Respect of the Environment

The guidelines that we support are not designed to limit your snowmobiling fun, but to preserve the beautiful freedom that you can experience only on a snowmobile! These guidelines will keep snowmobilers healthy, happy and able to introduce others to what they know and enjoy about their favorite winter pastime. So, the next time you hit the trails on a cool, crisp and clear winter day, we ask you to remember that you are paving the way for the future of our sport. Help us lead it down the right path! From all of us at BRP, thank you for doing your share.

There is nothing more exhilarating than snowmobiling. Venturing onto snowmobile trails that cross wild areas is an exciting and healthy winter sport. However, as the number of people using these recreational parks increases, so does the potential for damage to the environment. Abuse of land, facilities and resources inevitably leads to restrictions and closures of both private and public land.

In essence, the greatest threat to our sport, is all around us. Which leaves us with one logical choice. When we snowmobile, we must always ride responsibly.

The vast majority respect the law and the environment. Each of us must set an example for those who are new to the sport, young and old alike.

It is in every one's best interest to tread lightly into our recreational areas. Because, in the long run, to protect the sport we must preserve the environment.

Recognizing the importance of this issue and the need for snowmobilers to do their share in preserving areas that make it possible to enjoy our sport, BRP has developed the "Light Treading Is Smart Sledging" campaign for snowmobilers.

Light Treading refers to more than the thread of our tracks. It's a statement of concern, respect and willingness to take the lead and take action. It applies to the environment in general, its proper care and maintenance, its natural inhabitants and all enthusiasts and the public at large who enjoy the great outdoors. With this theme, we invite all snowmobilers to remember that respecting the environment is not only critical to the future of our industry but to future generations.

Light Treading in no way suggests you should curb your appetite for snowmobiling fun! It simply means tread with respect!

The fundamental objective of Light Treading is one of respect for where and how you ride a snowmobile. You're a light treader when you follow the principles below.

Become informed. Obtain maps, regulations and other information from the Forest Service or from other public land agencies. Learn the rules and follow them and that goes for speed limits, too!

Avoid running over young trees, shrubs, and grasses and don't cut wood. On flatlands or areas where trail riding is popular, it's important to ride only where authorized. Remember, there is a link between protecting your environment and your own safety.

Respect wildlife and be particularly sensitive of animals that are rearing young or suffering from food shortage. Stress can sap scarce energy reserves. Refrain from riding in areas where only animals are intended to tread!

Obey gate closures and regulatory signs and remember, light treaders don't litter!

Stay out of wilderness areas. They're closed to all vehicles. Know where the boundaries are.

Obtain permission to travel across private land. Respect the rights of landowners and other people's privacy. Remember, snowmobile technology has lowered the noise factor considerably, but you still shouldn't rev your engines where quiet "is the order of the day".

Snowmobilers know all too well the efforts that have been made throughout the sport's history to enjoy access to areas where people can snowmobile safely and responsibly. This effort continues today, as strong as ever.

Respecting the areas where we ride... wherever they may be... is the only way to ensure their future enjoyment. That's one major reason why we know you'll agree that Light Treading is smart sledding! And there are more.

Enjoying the opportunity to see winter and all its natural majestic wonders, is an experience cherished by snowmobilers. Light Treading will preserve this opportunity and will make it possible for us to expose others to the beauty of winter and the unique thrill of our sport! Light Treading will help our sport to grow!

Finally, Light Treading is the sign of a smart snowmobiler. You don't have to leave big tracks or careen through a virgin forest to show you can ride. So whether you're driving a high performance BRP snowmobile or any other make or model, show you know what you're doing. Show you know how to send snow flying and make tracks with a light touch!

This page is intentionally blank

SAFETY INFORMATION

BEFORE YOU GO

WARNING

Disregarding any of the safety precautions and instructions contained in this section could cause injury including the possibility of death.

Operating Age and Ability

Operators must be qualified. Make sure the operator is 16 or older. Your state (or province) may have additional requirements. Laws regarding the minimum age and licensing requirements vary from one jurisdiction to another. Be sure to contact the local authorities for information regarding the legal operation of a snowmobile in the intended jurisdiction of use. BRP highly recommends that you take a safety riding course. Basic training is required for the safe operation of any snowmobile.

Operation of this snowmobile with a disability that impairs vision, reaction time, judgment, or operation of the controls is not recommended. The safe use of your snowmobile depends on many conditions such as visibility, speed, weather, environment, traffic, vehicle condition and the condition of the operator. The performance of some snowmobiles may significantly exceed that of other snowmobiles you have operated. Therefore, use by novice or inexperienced operators is not recommended.

Each passenger must be able to simultaneously place both feet firmly flat against each footboard when properly seated.

Drugs and Alcohol

Never ride after consuming alcohol or drugs. Riding on a snowmobile requires the operator and passenger (s) to be sober, attentive and alert. The use of drugs and alcohol, singly or in combination, decreases reaction time, impedes judgment, impairs vision, and inhibits your ability to safely ride on a snowmobile.

Avalanche Safety Training Courses

We recommend that all mountain riders take a local avalanche safety training course to become more familiar with snow conditions and learn how to properly use their equipment. Here are some web sites that can help you finding important information:

- - US: www.avalanche.org
- - Europe: www.avalanches.org
- - Canada: www.avalanche.ca

Protective Gear

Proper snowmobile clothing should be worn by all riders. It should be comfortable and not too tight. Always check the weather forecast before going on a ride. Dress for the coldest weather expected. Thermal underwear next to the skin also provides a good insulation.

Always wear an approved helmet at all times for safety and comfort. They provide both warmth and reduce injury. A stocking type cap, balaclava and face mask should always be carried or worn. Goggles or a face shield that attach to the helmet are indispensable.

Hands should be protected by a pair of snowmobile gloves or mitts which have sufficient insulation and allow use of thumbs and fingers for operation of controls.

Rubber bottom boots with either a nylon or a leather top, with removable felt liners are best suited for snowmobiling.

You should keep yourself as dry as possible when snowmobiling. When you come indoors, take your snowmobile suit and boots off and make certain they dry properly.

Do not wear a long scarf or loose apparels that could get caught in moving parts.

Carry colored lens goggles.

Required Equipment

As the owner of the snowmobile, you are responsible for ensuring that all required safety equipment is aboard. Check your local regulations about requirements.

First aid kit	Provided tool kit
Mobile phone	Knife
Spare spark plugs	Flashlight
Adhesive tape (duct tape)	Trail map
Spare drive belt	Snack
Probe*	Shovel*

Avalanche beacon*	-
*When riding in an area with avalanche risk	

GET FAMILIAR WITH THE SNOWMOBILE

This vehicle may exceed the performance of other vehicles you may have ridden. Take time to familiarize yourself with your new vehicle.

Inexperienced riders may overlook risks and be surprised by vehicle's specific behavior and terrain conditions. Ride slowly. Excessive speed and reckless driving can kill.

Make sure you read and understand the content of this operator's guide to become completely familiar with the controls and operation of the snowmobile before embarking on your first trip or taking on a passenger(s). If you have not had the opportunity to do so, practice driving solo in a suitable traffic-free area to become accustomed to the feel and response of each control.

It is very important to inform any operator, regardless of his experience, of the handling characteristics of this snowmobile. The snowmobile configuration, such as ski stance, ski type, suspension type, track length, width and type vary from a model to another. The snowmobile handling is greatly influenced by these characteristics.

Track Propulsion System

Your snowmobile features a track propulsion system. The track grips on the snow-covered surface and pushes the snowmobile in the opposite direction of the force applied on the surface. Stay away from the track. Personal injury will result if contact is made with the revolving track.

 **WARNING**

Never stand behind or near a rotating track. Debris could be projected causing severe injuries.

The grip of the track will vary depending on the surface conditions. The grip may be reduced on hard-pack snow or ice. Reduce your speed and allow more space to turn. Refer to the *TRACTION ENHANCING PRODUCTS* subsection of this guide to learn how to balance the grip of the ski vs the grip of the track. If the front and rear of the snowmobile are out of balance due to an incorrect combination of traction enhancing products, the snowmobile may tend to oversteer or understeer, which could lead to a loss of control.

Steering

Skis are used to steer the snowmobile through the handlebar. The performance to steer will vary depending of the grip of the skis on the surface. Steering control ability may be reduced on hard-pack snow, ice or roads. Reduce speed and allow more space to turn. Refer to the *TRACTION ENHANCING PRODUCTS* subsection of this guide to learn how to balance the grip of the ski versus the grip of the track. If

the front and rear of the snowmobile are out of balance due to an incorrect combination of traction enhancing products, the snowmobile may tend to oversteer or understeer, which could lead to a loss of control.

Riding with a passenger or when carrying loads, the steering control will also be reduced. Reduce speed and allow more space to turn.

Tether Cord

Always attach tether cord eyelet to clothing before starting the engine to help ensure the engine stops should the operator fall off.

After riding, always remove the tether cord from the engine cut-off switch to avoid unauthorized use by children or others and to prevent starting in a closed environment (ex: garage).

Braking

Braking performances may vary suddenly under certain conditions. Always remember that the snowmobile braking distance may be affected when riding with a passenger and when loaded with cargo at the rear. Never jam the brake and lock the track. Be sure to use restraint in braking to keep from blocking the track in order to avoid surprises that could lead to a loss of control.

Using studs on the track will give you better braking capacity on packed snow or ice but will have no noticeable effect on soft snow. Refer to *Enhancing Traction Control Products* subsection for track stud application.

Parking Brake

Always engage parking brake before starting the engine. Parking brake should be used whenever snowmobile is parked.

Make sure parking brake is fully disengaged before operating the snowmobile. When you ride the vehicle, brake pads that are caused to drag by a continuous pressure on the lever may cause damage to the brake system and cause loss of braking capacity or fire.

Carrying Loads

Carrying loads affects the vehicle handling, stability and braking distance. Appropriate loading and weight distribution are therefore important.

When carrying loads it is very important to follow the recommendations:

- Never exceed the maximum cargo capacity. Refer to *Safety Information on the Vehicle* or *Technical Specifications* subsections for the applicable cargo load capacity of your snowmobile.
- Always adjust the suspensions according to the cargo load. Refer to *Tune Your Ride* subsection for more details.
- Never carry a load unless it is properly secured using a BRP LinQ certified accessory. Compatible accessories which are not BRP certified may not be considered as fit for this purpose.
- Always reduce your speed, turn gradually and allow longer braking distance when carrying loads.

 **WARNING**

Failure to follow these recommendations when carrying or towing loads could lead to a loss of control and possibly in a tip over.

Towing Loads

Towing loads affects the vehicle handling, stability and braking distance. Appropriate loading and weight distribution are therefore important.

When towing a load it is very important to follow the recommendations:

- Always use a rigid tow bar to tow a cargo carrier or an accessory.
- Never tow a load using a rope. Using a rope would result in a collision between the load and the snowmobile and possibly in a tip over in case of a rapid deceleration or on a downward slope.
- Never tow a load by attaching it directly to the bumper. Use only the hitch to tow a load. Make sure that the cargo carrier hitch is compatible with the one on the vehicle. Use security chains or cables to secure the cargo carrier with the vehicle. Avoid excessive slack in the chains or cables, it could break and snap back.
- Never exceed the vehicle maximum tow capacity. Refer to *Safety Information on the Vehicle* or *Technical Specifications* subsections for the applicable towing capacity of your snowmobile.
- Never exceed the tongue weight capacity, if applicable.
- Always make sure load is evenly distributed and safely secured on the cargo carrier. Make sure there is at least some weight on the tongue, if applicable.
- Always adjust the suspensions according to the weight on the tongue, if applicable. Refer to *Tune Your Ride* subsection for more details.
- Reduce your speed and turn gradually. Avoid hills and rough terrain. Riding this vehicle with a cargo carrier substantially increases the risk of toppling, especially on inclined slopes. Never attempt steep hills.

- Allow more distance for braking, especially on inclined surfaces and when a passenger is on board. Be careful not to skid or slide.
- Use caution when disconnecting a loaded cargo carrier; its load may topple on you or others.

 **WARNING**

Failure to follow these recommendations when carrying or towing loads could lead to a loss of control and possibly in a tip over.

On vehicle equipped with a gearbox, always put the shift lever to L (low range) when towing a cargo carrier.

Any towed accessory should have reflectors on both sides and at the rear.

Check country transport regulations for brake light(s) requirements.

Towing Another Snowmobile

If a snowmobile is disabled and must be towed, in an emergency situation only, a rope can be used

- Remove the drive belt. Refer to *Maintenance Procedures* for more details.
- Attach the rope to the ski legs (spindles), **not** to the skis. If the ski legs are not accessible, attach the rope to the bumper.
- Have someone sit on the towed snowmobile to steer and activate the brake.
- Tow at low speed with extra caution.

NOTICE

Always remove the drive belt of the snowmobile that is to be towed to prevent damage to its belt and drive system.

In some areas, it may be illegal to do so. Check with state or local authorities.

Accessories and Modifications

Never remove any original equipment from your snowmobile. Each vehicle has many built in safety features. Such features include various guards and consoles, plus reflective materials and safety labels.

Do not make unauthorized modifications, or use attachments or accessories that are not approved by BRP. Since these changes have

not been tested by BRP, they may increase the risk of crashes or injuries, and they can make the vehicle illegal.

Also, accessories are designed for specific applicable models only. It is not recommended for units other than the one (those) for which it was sold.

Accessory passenger seats approved by BRP and conforming to SSCC standards may be available for certain models. If such a seat is used, you must follow the guidelines and recommendations regarding a passenger in this guide.

Know your technical limits when installing a BRP approved accessory and, when in doubt, have your OEM accessories installed by an authorized BRP snowmobile dealer.

For more information about the use of BRP accessories visit this web site <https://instructions.brp.com> and search for the appropriate instruction sheet that may include important safety information.

Traction Enhancing Products

NOTE:

This section is applicable to all snowmobile models that are either equipped with a:

- Factory installed track approved by BRP for special studs installation.
- Factory pre-studded track.

or that can received one of these tracks.

Always refer to your authorized BRP snowmobile dealer to learn more on traction enhancing products and applicability on your snowmobile.

Using traction enhancing products such as, adjustable or more aggressive ski carbide runners and / or track studs on your snowmobile will change its behavior, particularly in terms of maneuverability, acceleration, and braking.

Using traction enhancing products gives a better grip on hard packed snow and ice, but has no noticeable effect in deep snow. For this reason, driving a snowmobile equipped with traction enhancing products requires a certain adaptation period. If your snowmobile is equipped with traction enhancing products, be sure to take plenty of time to get used to the way it handles when turning, accelerating, and braking.

The use of track studs can increase the load and the stress on certain snowmobile components, as well as the vibration level. This can cause premature wear on parts such as belt, brake linings, bearings, chain, chain sprockets, and shorten track life.

Track studs can also cause serious damage to your snowmobile if it is not equipped with the appropriate tunnel protectors.

Check local regulations concerning the use of traction enhancing products on snowmobiles.

Studding an unapproved track or using unapproved studs increase the risk of the track tearing or severing

Installing track studs and tunnel protector(s) requires technical knowledge. To ensure safe and proper installation, BRP recommends to have the studs installed by your dealer.

For maintenance and replacement refer to *Track* in *Maintenance Procedures*.

Maneuverability

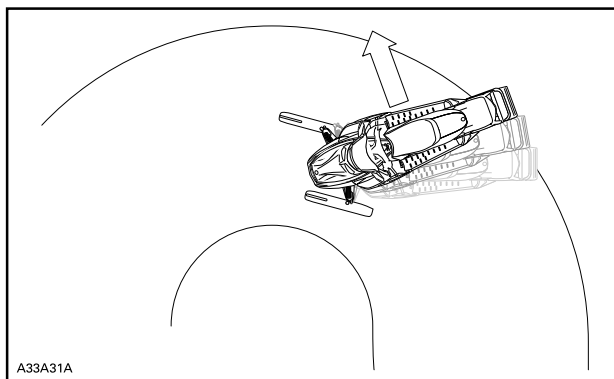
Using traction enhancing products such as, more aggressive ski carbide runners and/or studs makes the snowmobile grip the ground better at both the front and at the rear. The use of carbide runners is therefore required to give the skis a better grip, so that the front and rear of the snowmobile are in balance. While off-the-shelf carbide ski runners are adequate, they don't necessarily give you optimal control, since that depends on your personal preferences, your riding style, and how your suspension is adjusted.

 **WARNING**

If the front and rear of the snowmobile are out of balance due to an incorrect combination of traction enhancing products, the snowmobile may tend to oversteer or understeer, which could lead to a loss of control.

Oversteering

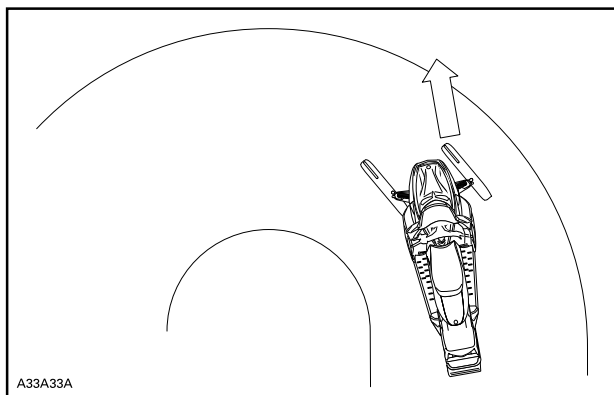
In certain conditions, using more aggressive ski carbide runners without studs on the rear track could make the snowmobile prone to oversteering, see illustration.



OVERSTEERING

Understeering

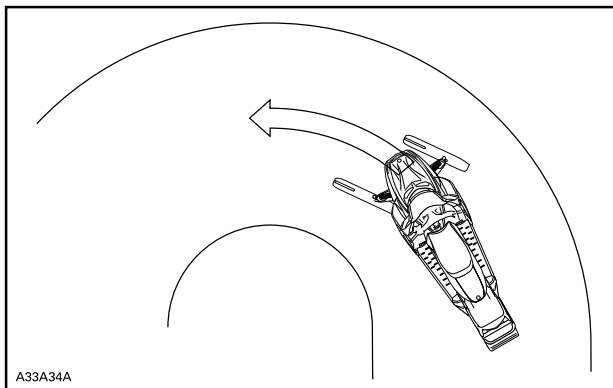
In certain conditions, the use of studs on the track could make the snowmobile prone to understeering if the skis are not equipped with more aggressive ski carbide runners, see illustration.



UNDERSTEERING

Controlled Driving

A balanced combination of carbide ski runners and studs on the track ensures adequate control and better handling, see illustration.



CONTROLLED DRIVING

Acceleration

Using studs on the track will allow your sled to accelerate better on packed snow and ice but will have no noticeable effect on soft snow. This can cause sudden variations in traction under certain conditions.

Always go easy on the throttle and never try to spin the track to make the rear of the snowmobile skid. This could cause debris or ice to be thrown violently backwards, possibly injuring others nearby or on snowmobiles behind you.

Braking

As in the case of acceleration, using studs on the track will give you better braking capacity on packed snow or ice but will have no noticeable effect on soft snow. Braking may thus vary suddenly under certain conditions. Be sure to use restraint in braking to keep from blocking the track in order to avoid surprises that could lead to a loss of control.

RIDE SAFELY

Rider Position (Forward Operation)

Your riding position and balance are the two basic principles of making your snowmobile go where you want it to. When turning on the side of a hill, you and your passenger must be ready to shift body weight to help it turn in the desired direction. Operator and passenger must never attempt this maneuvering by placing feet outside of the vehicle. Experience will teach you how much lean to put into turns at different speeds and how much you will have to lean into a slope to maintain proper balance.

Generally, the riding position for best balance and control is sitting. However, the posting, kneeling or standing positions are also used under certain conditions.

⚠ WARNING

Do not attempt any maneuvers if they are beyond your abilities.

Sitting

Feet on the running boards, body midway back on seat is an ideal position when operating the snowmobile over familiar, smooth terrain. Knees and hips should remain flexible to absorb shocks.



Posting

A semi-sitting position with the body off the seat and the feet under the body in a sort of squatting posture, thus allowing the legs to absorb the shocks when traveling over uneven terrain. Avoid abrupt stops.



Kneeling

This position is achieved by placing one foot firmly on the running board and the opposite knee on the seat. Avoid abrupt stops.



Standing

Place both feet on the running boards. Knees should be flexed to absorb the shock from surface bumps. This is an effective position to see better and to shift weight as conditions dictate. Avoid abrupt stop.



Rider Position (Reverse Operation)

When operating in reverse:

- Ensure the path behind is clear of obstacles or bystanders before proceeding in reverse.
- BRP recommends sitting on your snowmobile when operating in reverse.
- Avoid standing up. Your weight could shift forward against throttle lever while operating in reverse, causing an unexpected acceleration. Unexpected acceleration when snowmobile operates in reverse can cause a loss of control.

Fast reverse while turning, could result in loss of stability and control.

Riding with Passenger(s)

This vehicle is designed for one (1) operator and as many passengers as there are seats with straps or handholds installed on the vehicle conforming to SSCC standards. Passenger must only sit on designated passenger seat.

WARNING

- **Never carry a passenger on a seat not approved by BRP.**
- **Never allow anyone to sit between the handlebar and the operator.**

Even when a passenger is allowed, this person must be physically fit for snowmobiling.

Any passenger must always be able to firmly lay his feet on the footrests and keep his hands on the handholds or seat strap when seated. Respecting those physical criteria is important to ensure that the passenger is stable and to reduce the risks of ejection. Falls can result in severe injury or death.

The operator has a responsibility to ensure the safety of his passenger and should inform the passenger about snowmobiling basics.

Before riding the vehicle, adjust suspension according to weight. Refer to *Tune Your Ride* subsection for more details.

Ask your passenger to inform you to slowdown or stop immediately if he feels uncomfortable or insecure during the ride.

When going over bumps, riders(s) may raise their body slightly off the seat to absorb the shocks with their legs.

An unforeseen bump can leave you passenger-less. Remind your passenger to lean into the turn with you, without causing the vehicle to topple. Be extremely careful, go more slowly and check the passenger frequently. Keep a watchful eye on your passenger while riding.

Braking ability and steering control are reduced when riding with a passenger. Decrease speed and allow extra space to maneuver.

Riding Alone


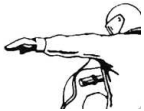


Venturing out alone with your snowmobile could also be hazardous. You could run out of fuel, have an accident, or damage your snowmobile. Remember, your snowmobile is capable of traveling further in half an hour than you may be able to walk in a day. Use the “buddy system”. Always ride with a friend or member of your snowmobile club. Even then, tell someone where you are going and the approximate time you plan to return.




Riding in a Group

Before starting out, designate a “trail boss” to lead the party and another person to follow-up at the end of the party. Ensure that all members of the party are aware of the proposed route and destination. When riding with others, limit your abilities to the experience of others. Never overtake the trail boss or, for that matter, any other snowmobile. Use down-the-line hand signals to indicate hazards or intent of direction change. It’s important to keep a safe distance between each snowmobile but each one behind the leader should know the position of the machine ahead.

Hand Signals

Every snowmobiler should relay any signal to the ones behind.

<p>STOP Raise either hand straight above your head.</p> 	<p>LEFT TURN Extend your left hand straight out in the proper direction.</p> 
<p>RIGHT TURN Extend the left arm and raise the hand to a vertical position so it forms a right angle at the elbow.</p> 	<p>SLOWING DOWN Left hand extended out and down from the side of the body with downward flapping motion of hand to signal warning or caution.</p> 

<p>FOLLOWING SNOWMOBILES Arm raised, elbow bent with thumb pointing backward, in hitch-hicking motion move arm forward to backward over your shoulder.</p> 	<p>ONCOMING SNOWMOBILES Left arm raised at shoulder height, elbow bent and forearm vertical, wrist bent, move arm from left to right over head pointing to right side of trail.</p> 
<p>LAST SNOWMOBILE IN LINE Left arm raised at shoulder height, elbow bent and forearm vertical with hand clenched in a fist.</p> 	

Avoiding Collisions

Wherever riding your vehicle always be on the look-out for the unexpected. Operate defensively. Scan constantly for people, objects, conditions and upcoming vehicles. In the trail, always stay on the appropriate side - as per country regulation - to avoid collision, especially when the field of vision is reduced. E.g.: Before a hilltop and a curve. Use extra caution whenever off-trail.

Always keep a safe distance from other snowmobiles and bystanders. Tailgating another snowmobile should be avoided. If the snowmobile in front of you slows for any reason, its operator and passenger could be harmed through your neglect. Maintain a safe stopping distance between you and the snowmobile in front of you. Depending on the terrain condition, stopping may require a little more space than you think. Play it safe. Be prepared to use evasive driving.

On land or water, fog or visibility-limiting snow can form. If you must proceed into the fog or heavy snow, do so slowly with your lights on

and watch intently for hazards. If you are not sure of your way, do not proceed. Keep a safe distance behind other snowmobilers to improve visibility and reaction time.

Riding Behaviors

Injury or death may result to the snowmobile operator, passenger or bystander if the snowmobile is used in risky conditions which are beyond the operator's, passenger's or snowmobile's capabilities or intended use.

Remember, promotional material may show risky maneuvers performed by professional riders under ideal and controlled conditions. You should never attempt any such risky maneuvers if they are beyond your level of riding ability.

Jumping can be a hazardous situation. It requires practice and should be done in a known and controlled environment. Never attempt jumping in a trail. A loss of control could lead to an impact with different elements like rock or tree, or with another snowmobile. When jumping be prepared for landing to absorb the shock. Brace yourself for the impact and your knees must be flexed to act as shock absorbers.

Also, an uneven or mined surface in the trail could be enough to kick upward the snowmobile and generate an impact or a loss of control. When "gunning" the throttle, the vehicle digs into and leaves an irregular snow surface for others. So protect the other users by not spinning the track in the middle of the trail.

Speeding

Excessive speed and reckless driving can be fatal. Always adjust your speed according to snow conditions and circumstances. In many cases, you cannot react or respond quickly enough to the unexpected. Always ride at a speed which is suitable to the trail, weather conditions and your own ability. Know your local rules. Speed limit may be in effect and meant to be observed.

Moving Parts

Stay away from the track. Personal injury will result if contact is made with the rotating track.

To prevent serious injury to individuals near the snowmobile:

- Never stand behind or near a moving track
- Always use a wide-base snowmobile stand with a rear deflector panel if it is necessary to rotate track
- When the track is raised off the ground, only run it at the lowest possible speed. Centrifugal force could cause debris, damaged or

- loose studs, pieces of torn track, or an entire severed track to be violently thrown backwards out of the tunnel with tremendous force
- Never operate the engine without the belt guard securely installed
 - Never operate the vehicle without the brake disk guard securely installed
 - Never operate the vehicle with the side panels opened, or the hood removed

Know Terrain and Riding Variations

Groomed Trail

On a maintained trail, sitting is the most preferred riding position. Do not race and, above all, keep to the right hand side of the trail. Be prepared for the unexpected. Observe all trail signs. Do not zigzag from one side of the trail to the other.

Ungroomed Trail

Unless there has been a fresh snowfall you can expect “washboard” and snowdrift conditions. Taken at excessive speeds, such conditions can be physically harmful. Slow down. Hold on the handlebar and assume a posting position. Feet should be under the body assuming a crouched position to absorb any jarring effect. On longer stretches of “washboard” trails, the kneeling position of one knee on the seat can be adopted. This provides a certain amount of comfort, while at the same time keeps the body loose and capable of vehicle control. Beware of hidden rocks or tree stumps partially hidden by a recent snowfall.

Deep Snow

In deep “powder” snow, your vehicle could begin to “bog” down. If this occurs, turn in as wide an arc as possible and look for a firmer base. If you do get “bogged”, and it happens to everyone, do not spin your track as this makes the vehicle sink deeper. Instead, turn the engine off, get off and move the back of the vehicle onto new snow. Then tramp a clear path ahead of the vehicle. A few feet will generally suffice. Restart the engine. Assume the standing position and rock the vehicle gently as you steadily and slowly apply the throttle. Depending on whether the front or rear end of the vehicle is sinking, your feet should be placed on the opposing end of the running boards. Never place foreign material beneath the track for support. Do not allow anyone to stand in front of, or to the rear of, the snowmobile with the engine running. Stay away from the track. Personal injury will result if contact is made with the revolving track.

Frozen Water

Traveling frozen lakes and rivers can be fatal. Avoid waterways. If you are in an unfamiliar area, ask the local authorities or residents about

the ice condition, inlets, outlets, springs, fast moving currents or other hazards. Never attempt to operate your snowmobile on ice that may be too weak to support you and the vehicle. Operating a snowmobile on ice or icy surfaces can be very dangerous if you do not observe certain precautions. The very nature of ice is foreign to good control of a snowmobile or any vehicle. Traction for starting, turning or stopping is much less than that on snow. Thus, these distances can be multiplied manyfold. Steering is minimal, and uncontrolled spins are an ever present danger. When operating on ice, drive slowly with caution. Allow yourself plenty of room for stopping and turning.

Slush

Slush should be avoided at all times. Always check for slush before starting across any lake or river. If dark spots appear in your tracks, get off the ice immediately. Ice and water can be thrown rearward into the path of a following snowmobile. Getting a vehicle out of a slush area is strenuous and in some cases, impossible.

Uphill

There are two types of hills you can encounter — the open hill on which there are few trees, cliffs or other obstacles, and a hill that can only be climbed directly. On an open hill, the approach is to climb it by side hilling or slaloming. Approach at an angle. Adopt a standing position with both feet on the same running board. Keep your weight on the uphill side at all times. Maintain a steady, safe speed. Continue as far as you can in this direction, then switch to an opposite hill angle and riding position.

A direct climb could present problems. Choose the standing position, accelerate before you start the climb and then reduce throttle pressure to prevent track slippage.

In either case, vehicle speed should be as fast as the incline demands. Always slow down as you reach the crest. If you cannot proceed further, don't spin your track. Apply the parking brake, turn the engine off, free the skis by pulling them out and downhill, place the rear of the snowmobile uphill, restart the engine, release the parking brake and ease it out with slow even throttle pressure. Position yourself to avoid tipping over, then descend.

Downhill

Downhill driving requires that you have full control of your vehicle at all times. On steeper hills, keep your center of gravity low and both hands on the handlebar. Maintain slight throttle pressure and allow the machine to run downhill with the engine operating. If a higher than safe speed is reached, slow down by braking but apply the brake with frequent light pressure. Never jam the brake and lock the track.

Side Hill

When crossing a side hill or traversing up or downhill, certain procedures must be followed. All riders should lean towards the slope as required for stability. The preferred operating positions are the standing position, with both feet on the running board that is facing uphill. Be prepared to shift your weight quickly as needed. Side hills and steep slopes are not recommended for a beginner or a novice snowmobiler.

Avalanche Hazard

When riding on mountainous terrain, you should be aware of the risk of avalanches. Avalanches vary in size and shapes and generally occur in steep terrain and on unstable snow.

New snow, animals, people, wind and snowmobiles can all trigger an avalanche. Avoid high marking or traversing steep terrain when avalanche conditions are possible. When in unstable snow conditions, travel should be restricted to lower angle slopes. Wind formed cornices should be avoided. Staying off unstable conditions is the key to safe mountain riding. Probably most important is to be aware of the conditions and dangers on a daily basis when in the mountains. Check local avalanche forecasts and threats each day before heading out to ride and heed forecasters advice.

You should always carry a snow shovel, probe and avalanche beacon while riding on mountains.

Bright Sunshine

Bright sunny days can considerably reduce your vision. The glare from sun and snow may blind you to the extent that you cannot easily distinguish ravines, ditches or other obstacles. Goggles with colored lenses should always be worn under these conditions.

Night Rides

The amount of natural and artificial light at a given time can affect your ability to see or to be seen. Be extra cautious. Drive at speeds that will allow you to stop in time when you see an unknown or dangerous object ahead. Stay on established trails and never operate in unfamiliar territory. Be sure both headlights and taillight are working and clean.

Unfamiliar Territory

Whenever you enter an area that is new to you, drive with extreme caution. There may be obstructions hidden beneath the snow. Go slow enough to recognize potential hazards such as fences or fence posts, brooks crossing your path, rocks, sudden dips, guy wires and countless other obstacles which could result in a termination of your snowmobile ride.

Driving off established trails and in the woods requires reduced speed and increased vigilance. Driving too fast in an area can make even minor obstacles very hazardous. Even hitting a small rock or stump could throw your snowmobile out of control and cause injury to its riders. Even when following existing tracks, be cautious. Travel at a speed so you can see what is around the next bend or over the top of the hill.

Hidden Wires

Always be on the lookout for hidden wires, especially in areas that may have been farmed at one time or another. Too many accidents have been caused by running into wires in the fields, guy wires next to poles and roads, and into chains and wires used as road closures. Slow speeds are a must.

Riding Uneven Surfaces

Unplanned jumps of snowdrifts, snowplow ridges, culverts, indistinguishable objects or sudden drop in the trail can be dangerous. You can avoid them by wearing the proper color lenses or face shields and by operating at a lower speed.

A good way to help seeing these terrain variations is to wear the proper color lenses or face shields and by operating at a lower speed. Crouch (stand) towards the rear of the vehicle and keep the skis up and straight ahead. Apply partial throttle and brace yourself for the impact. Knees must be flexed to act as shock absorbers.

Road Crossing

Your snowmobile is not designed to operate or turn on pavement of public streets, roads or highways. Avoid road traveling. If you must do so, and it is permitted, reduce speed and stay on the edge of the way where you can find snow to help providing capabilities to maintain directional control.

As snowmobile trails often cross roadways it is important for riders to know the proper crossing procedures. When approaching a roadway, signal to others that you are stopping at the intersection and slowly come to a complete stop back from the road's edge. In some cases, you will be approaching the road from a ditch or snowbank. Choose a place where you know you can climb without difficulty. Stop completely at the top of the bank and wait for all traffic to clear. Then, look carefully in both directions before crossing at a 90° angle. If needed, assume a standing position to look both ways. Be wary of parked vehicles. When you are certain that the road is clear proceed straight across the intersection without hesitation. Each rider needs to come to a complete stop, look both ways and then proceed when the roadway is clear of oncoming traffic.

Railroad Crossing

Never ride on railroad tracks. It is illegal. Railroad tracks and railroad rights-of-way are private property. A snowmobile is no match for a train. Before crossing a railroad track, stop, look and listen.

Respect of the Wildlife

Wildlife compliments your snowmobiling day. Snowmobile tracks provide firm ground over which animals can travel from area to area. Do not violate this privilege by chasing or harassing wildlife. Fatigue and exhaustion can lead to animal's death. Avoid areas posted for the protection or feeding of wildlife. If you happen to be fortunate enough to see an animal, stop your snowmobile and observe quietly.

Carbon Monoxide Poisoning

All engine exhaust contains carbon monoxide, a deadly gas. Breathing carbon monoxide can cause headaches, dizziness, drowsiness, nausea, confusion and eventually death.

Carbon monoxide is a colorless, odorless, tasteless gas that may be present even if you do not see or smell any engine exhaust. Deadly levels of carbon monoxide can collect rapidly, and you can quickly be overcome and unable to save yourself. Also, deadly levels of carbon monoxide can linger for hours or days in enclosed or poorly ventilated areas.

If you experience any symptoms of carbon monoxide poisoning, leave the area immediately, get fresh air and seek medical treatment.

To prevent serious injury or death from carbon monoxide:

- Never run the vehicle in poorly ventilated or partially enclosed areas such as garages, carports or barns. Even if you try to ventilate engine exhaust with fans or open windows and doors, carbon monoxide can rapidly reach dangerous levels.
- Never run the vehicle outdoors where engine exhaust can be drawn into a building through openings such as windows and doors.
- Never stand next to the vehicle while the engine is running. A person standing next to the vehicle when the engine is running may inhale high concentrations of exhaust fumes.

After riding, always remove the tether cord from the engine cut-off switch to avoid unauthorized use by children or others and to prevent starting in a closed environment (ex: garage).

Gasoline Fires and Other Hazards

Gasoline is extremely flammable and highly explosive. Fuel vapors can spread and be ignited by a spark or flame many feet away from the engine. To reduce the risk of fire or explosion, follow these instructions:

- Use only an approved red gasoline container to store fuel.
- Strictly adhere to instructions in *Vehicle Fueling Procedure*.
- Never start or operate the engine if the fuel cap is not properly installed.
- Use only a BRP approved LinQ fuel caddy to carry extra fuel on the vehicle. It should be properly installed and secured.

Gasoline is poisonous and can cause injury or death.

- Never siphon gasoline by mouth.
- If you swallow gasoline, get any in your eye or inhale gasoline vapor, see your doctor immediately.
- If gasoline spills on you, wash with soap and water and change your clothes.

Burns from Hot Parts

Certain components may become hot during operation. Avoid contact during and shortly after operation to avoid burns.

PRACTICE EXERCISES

Practice alone the following exercises after having done the entire Pre-ride inspection. Always start and stop the engine according to the instructions in *ENGINE STARTING PROCEDURE* and *SHUTTING OFF THE ENGINE* in *BASIC PROCEDURES*. Don't forget to attach the tether cord to your jacket.

Where to Practice Exercises

Find a suitable area to practice the exercises. Ensure the area meet the following requirements:

- No traffic
- No obstacles
- Hard packed snow
- Ample space to maneuver.

Exercises to Practice

Practice alone the following exercises after having done the entire Pre-ride inspection. Always start and stop the engine according to the instructions in *ENGINE STARTING PROCEDURE* and *SHUTTING OFF THE ENGINE* in *BASIC PROCEDURES*. Don't forget to attach the tether cord to your jacket.

Using the Emergency Engine Stop Switch

Purpose: Become familiar with the operation of throttle lever and to become familiar with using the engine stop switch.

Directions:

- With the parking brake engaged, start the engine and let idle until it reaches the operation temperature.
- Use the engine stop switch to shut the engine off. Press the switch with your right thumb while keeping your hand on the handgrip.
- Restart the engine and repeat the exercise. No idle time is required.

Tips for additional practice:

- Press the emergency engine stop switch without looking at it.

Starting, Stopping and Basic Handling

Purpose:

- Learn throttle control and how to get the vehicle moving.
- Become familiar with low speed deceleration and braking.

If you feel like you are losing control while doing this exercise, release the throttle to stop accelerating and apply the brake as needed to slow down. You can also use the engine stop switch to cut power entirely.

Directions: At first, you will only use the throttle for a moment at a time, then release it and coast.

- Start the engine and release the parking brake lever.
- Slowly apply throttle until the vehicle starts to creep forward. As soon as you start moving release the throttle and coast, then press the brake lever to stop.
- Continue with this part of the exercise until you are comfortable with applying and releasing the throttle.

Engine Stop While in Motion

Purpose: Become familiar with using the emergency engine stop switch when in motion so you know how the vehicle will react if you need to use it later.

Directions:

- Partway down the straightaway, while operating at 8 km/h (5MPH), toggle the engine stop switch to OFF position and coast to a stop.
- Restart the engine and repeat the exercise. Try increasing your speed (to a maximum of 20 km/h (12MPH) before using the engine stop switch.

In an emergency, the snowmobile engine can be stopped by pressing down on the emergency engine stop switch or by pulling the tether cord cap from the engine cut-off switch, while applying brake.

Basic Turns

Purpose: Get comfortable turning in a controlled manner on both sides.

Directions:

- Roll in a straight line at low speed and make a wide arcing turn. Make sure there is enough space to perform the entire turn.
- Repeat right and left turns and maintain a steady speed below 8km/h (5MPH). Hold the throttle to maintain your low speed.
- Leaning forward and into the curve may help you to turn the handlebar more easily.

Quick Stops

Purpose:

- Become familiar with the vehicle braking ability.
- Learn to apply brakes with maximum efficiency.

This exercise is like what you did before, except you'll be applying the brake more firmly, working up to braking at the maximum without locking the track rotation. Always release the throttle completely for quick stops. If you apply throttle and brake at the same time, your stopping distance will be longer.

Directions:

- Start at one end of the straightaway and accelerate to 8 km/h (5MPH). Partway down the straightaway, release the throttle completely and brake quickly.
- Keep head and eyes up, keep handlebar straight, and do not release the brake until fully stopped.
- Repeat, increasing your speed and braking harder. When you feel that the rotation of the track will be stopped you need to release the pressure on the break lever. To maintain control, you need to keep the track in rotation.

Operating in Reverse

Purpose: Become familiar with the vehicle handling and turning radius in reverse.

Directions:

- Shift into reverse and remain seated. Refer to *SHIFTING IN REVERSE* in *BASIC PROCEDURES*.
- Check that the area behind you is clear. While looking backwards, slowly reverse and stop by releasing throttle and using the brake, just like when operating normally.
- Keep your speed low and do not back up for long distances.
- Repeat the reverse and stop in straight line until you get comfortable.
- Once you are comfortable with reversing in straight line, you can slowly reverse while turning the handle bar.

FUELING

Fuel is flammable and explosive under certain conditions.

- Never use an open flame to check fuel level.
- Never smoke or allow flame or spark in vicinity.
- Always proceed in a well-ventilated area.

Fueling Procedure

1. Stop engine and engage the parking brake.
2. Have operator and passenger get off the vehicle. Do not sit or lean on seat when fuel tank cap is not properly installed.
3. Unscrew slowly the fuel reservoir cap counterclockwise to stabilize pressure before removing it.

NOTE:

A short whistling sound is normal.

4. Insert the spout into the filler neck.
5. Pour fuel slowly so that air can escape from the tank and prevent fuel flow back. Be careful not to spill fuel.
6. Stop filling after the release of the gas pump nozzle handle and wait a moment before removing the spout. Do not retract the gas pump nozzle to put more fuel into the fuel tank. **Do not overfill.**
7. Reinstall the fuel cap and fully tighten clockwise.
8. Always wipe off any small fuel spillage from the vehicle. If a major spillage occurs, remove side panels to remove fuel vapors from engine compartment before starting.
9. Before getting on the way don't forget to disengage the parking brake.
10. Never top up the fuel tank before placing the vehicle in a warm area. As temperature increases, fuel expands and may overflow.

INJECTION OIL

Injection Oil is flammable when heated.

- Never use an open flame to check oil level.
- Never smoke or allow flame or spark in vicinity.
- Always proceed in a well-ventilated area.

Refer to *Injection Oil* in *Vehicle Information* to add oil.

VEHICLE TRANSPORTATION

Make sure that oil reservoir and fuel tank caps are properly installed.

Tilt bed trailers can easily be equipped with a winch mechanism to afford maximum safety in loading. Simple as it may seem, never drive your snowmobile onto a tilt bed trailer or any other kind of trailer or vehicle. Many serious accidents have resulted from driving up and over a trailer. Anchor your vehicle securely, front and rear, even on short hauls. Be certain all equipment is securely fastened. Cover your snowmobile when trailering to prevent road grime from causing damage.

Be certain your trailer meets state or provincial requirements. Ensure the hitch and safety chains are secure and the brake, turn indicators and clearance lights all function.



WARNING

Do not tow the vehicle facing backwards. If the vehicle is towed facing backwards, the wind may cause damage to the windshield or even loss of the windshield.

SAFETY INFORMATION ON THE VEHICLE

Hang Tag(s)



VEHICLE ENGINE DESCRIPTION:

EPA CERTIFIED

NER (NORMALIZED EMISSION RATE) =

ON A 0 TO 10 SCALE, 0 BEING THE CLEANEST

***NOT TO BE REMOVED PRIOR TO SALE**



DESCRIPTION DU MOTEUR DU VÉHICULE:

EPA CERTIFIÉ

TEN (TAUX D'EMISSION NORMALISÉ) =

SUR UNE ÉCHELLE DE 0 À 10, 0 ÉTANT LE PLUS PROPRE.

***NE PAS ENLEVER AVANT LA VENTE.**



TYPICAL



NOTICE

This snowmobile is calibrated for operating at SEA-LEVEL. Operating above 2000 ft requires calibration parts and adjustment. For more details, REFER to your Operator's Guide that came with your snowmobile or see your authorized Ski-Doo dealer. **INCORRECT ADJUSTMENTS MAY CAUSE PARTS DAMAGE**

SEA LEVEL CALIBRATION


4598B

AVIS



Cette motoneige est calibrée en fonction d'une utilisation au NIVEAU DE LA MER. Si on utilise cette motoneige au-delà de 600 mètres il est nécessaire de la recalibrer et d'installer certaines pièces. Pour plus de détails, se référer au Guide du conducteur ou consulter un concessionnaire autorisé de motoneiges Ski-Doo. **SANS CETTE RECALIBRATION, CERTAINES PIÈCES PEUVENT ÊTRE ENDOMMAGÉES.**

CALIBRATION NIVEAU DE LA MER.

 **WARNING**. Operating, servicing and maintaining an off-road vehicle can expose you to chemicals including engine exhaust, carbon monoxide, phthalates, and lead, which are known to the State of California to cause cancer and birth defects or other reproductive harm.

To minimize exposure, avoid breathing exhaust, do not idle the engine except as necessary, service your vehicle in a well-ventilated area and wear gloves or wash your hands frequently when servicing your vehicle.

For more information go to
[www.P65Warnings.ca.gov/products/
passenger-vehicle](http://www.P65Warnings.ca.gov/products/passenger-vehicle)



704906872

Vehicle Safety Labels

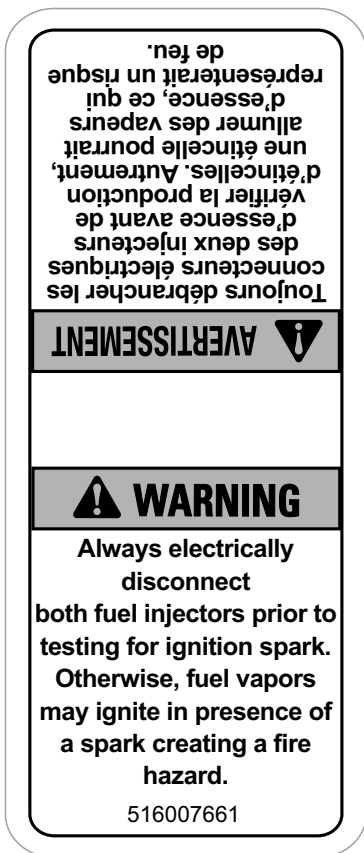
These labels are affixed to the vehicle for the safety of the operator, passenger or bystanders.

The following labels are on your vehicle and they should be considered permanent parts of the vehicle. If missing or damaged, the decals can be replaced free of charge. Visit an authorized BRP snowmobile dealer.

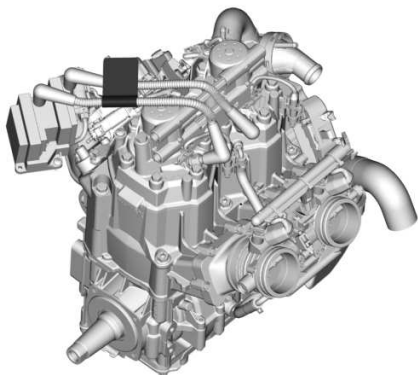
NOTE:

In the event of any discrepancy between this guide and the vehicle, the safety labels on the vehicle have precedence over the labels in this guide.

Disconnect fuel injectors - Warning Label



DISCONNECT FUEL INJECTORS - WARNING LABEL



Pulley Guard and Drive Pulley Tightening Torque - Warning and Notice Label

⚠ WARNING / AVERTISSEMENT

This guard must ALWAYS be in place when the engine is running. Beware of rotating parts, they could cause injuries or catch your clothing.

Ce protecteur doit TOUJOURS être en place lorsque le moteur tourne, les pièces en rotation peuvent provoquer des blessures ou prendre dans vos vêtements.

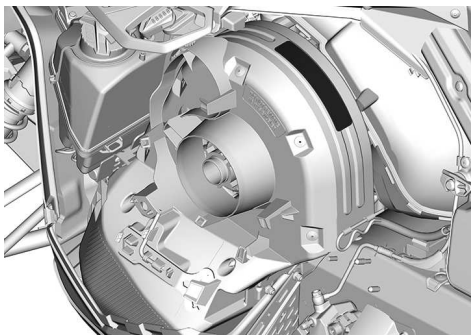
NOTICE

Drive pulley bolt recommended torque:
115-125 Nm (85-92 lbf-ft)

Not applying the recommended torque may result in a major failure of the drive pulley and the engine. Refer to the shop manual for the complete assembly procedure.

10898

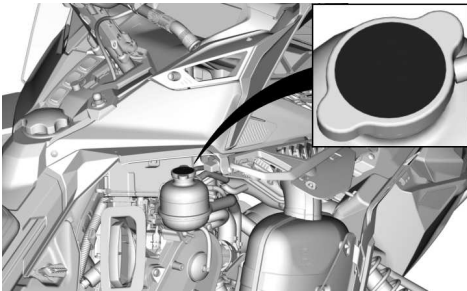
PULLEY GUARD AND DRIVE PULLEY TIGHTENING TORQUE - WARNING AND NOTICE LABEL



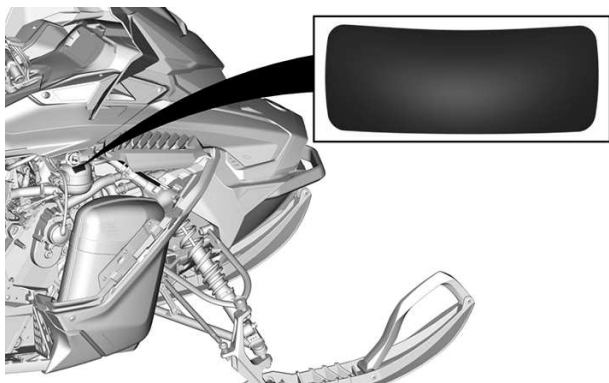
Do Not Open When Hot - Warning Label



DO NOT OPEN WHEN HOT - WARNING LABEL



DO NOT OPEN WHEN HOT - WARNING LABEL

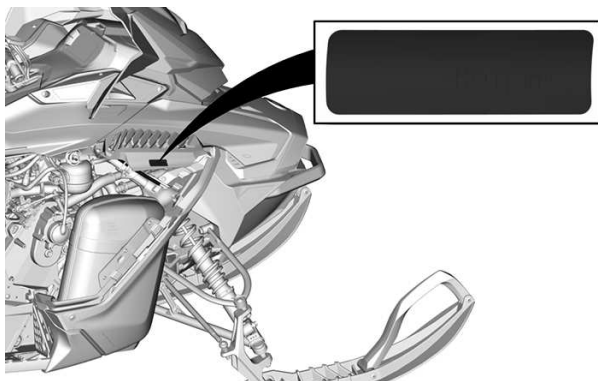


RH SIDE SHOWN

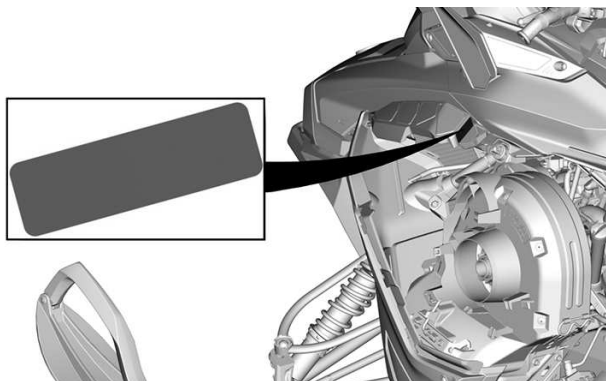
Hot Parts - Caution Label



HOT PARTS – CAUTION LABEL



RH SIDE SHOWN



LH SIDE SHOWN

Starting Procedure - Warning Label (20 and 24 in. track width models)**⚠ WARNING**

- Read and understand all safety labels, locate and read operator's guide and watch the safety video (using the QR code link or visit Ski-Doo web site) before operation.
- Get familiar with your vehicle. Inexperienced riders may overlook risks and be surprised by vehicle's specific behavior and terrain conditions. Ride slowly.
- Excessive speed and reckless driving can kill.
- ALWAYS adjust your speed according to snow conditions and circumstances.
- Steering control and braking ability may be reduced on hard-pack snow, ice or roads. Reduce speed & allow more space to stop or turn.
- Respect laws on minimum operator age. Manufacturer recommends a minimum operating age of 16 years old.
- Never open side panels or hood while engine is running or if vehicle is in motion. Ensure to remove tether cord from post before opening those.

**BEFORE STARTING :**

1. Attach tether cord to your clothing.
2. Check proper operation of the throttle and brake levers each time before starting. They must return to their initial position when released.
3. Apply parking brake.
4. Turn handlebars all the way in both directions to check for interference and insure free operation.

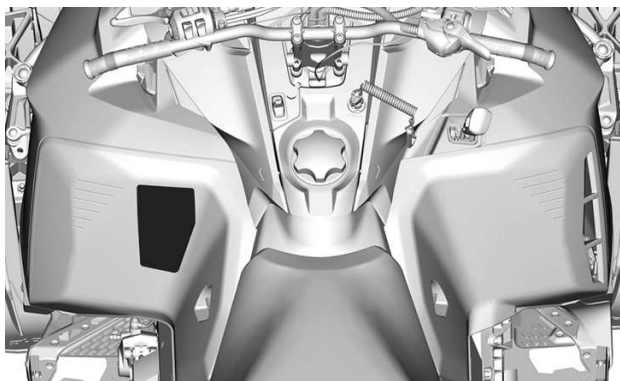
AFTER STARTING :

1. Pull-out tether cord to check if engine shuts off.
2. Re-start and push in the emergency engine stop switch to check if engine shuts off.
3. Disengage parking brake before riding to avoid brake fading.



516010927

STARTING PROCEDURE – WARNING LABEL



Passenger Safety - Warning Label (20 and 24 in. track width models)**⚠ WARNING****When riding with a passenger:**

- Braking ability and steering control are reduced.
- Decrease speed and allow extra space to manoeuvre.
- Adjust suspension according to weight.

Remember: you are responsible for the safety of your passenger. All drivers and passengers must read the following:

- Avoid surprises, be on the look out for the unexpected.
- Operate defensively, scan constantly for people, objects, conditions and upcoming vehicles.
- Avoid thin ice / open water.
- Use extra caution whenever off-trail.
- Always wear an approved helmet and clothing appropriate for snowmobiling.
- Never ride under the influence of alcohol or drugs, even as a passenger.

**⚠ WARNING/AVERTISSEMENT**

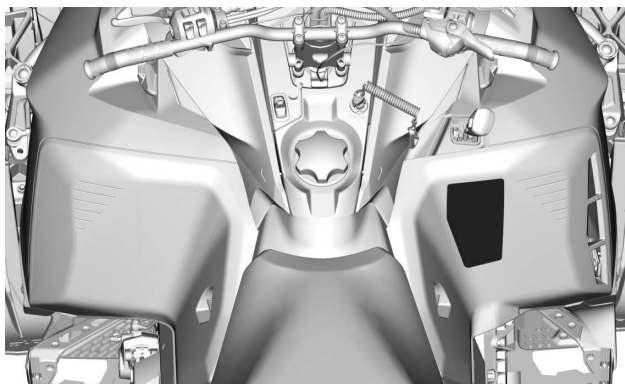
This vehicle is designed for one (1) operator and as many passengers as there are seats with straps or handgrips installed on the vehicle conforming to SSCC standards.

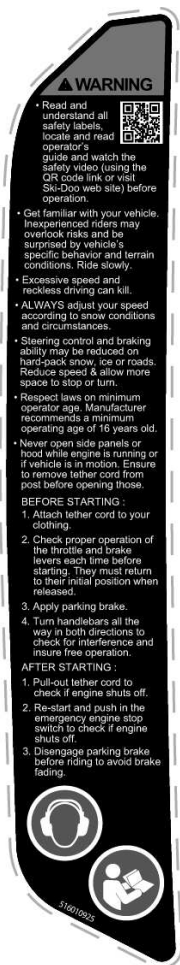
Ce véhicule a été conçu pour un (1) conducteur et autant de passagers qu'il y a de sièges avec courroies ou poignées installées sur le véhicule et rencontrant la norme SSCC.

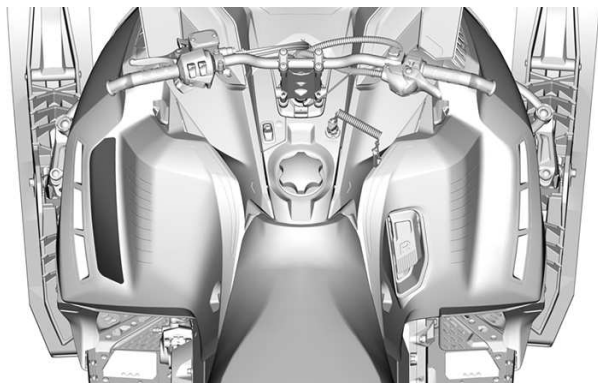
Patent: www.brp.com/en/about-brp/patents.html

11027

PASSENGER SAFETY – WARNING LABEL



Starting Procedure - Warning Label (16 in. track width models)**STARTING PROCEDURE – WARNING LABEL**



Passenger Safety - Warning Label (16 in. track width models)

▲ WARNING

When riding with a passenger:

- Braking ability and steering control are reduced.
- Decrease speed and allow extra space to maneuver.
- Adjust suspension according to weight.

Remember: you are responsible for the safety of your passenger. All drivers and passengers must read the following:

- Avoid surprises, be on the look out for the unexpected.
- Operate defensively, scan constantly for people, objects, conditions and upcoming vehicles.
- Avoid thin ice / open water.
- Use extra caution whenever off-trail.



- Always wear an approved helmet and clothing appropriate for snowmobiling.



- Never ride under the influence of alcohol or drugs, even as a passenger.



▲ WARNING / AVERTISSEMENT

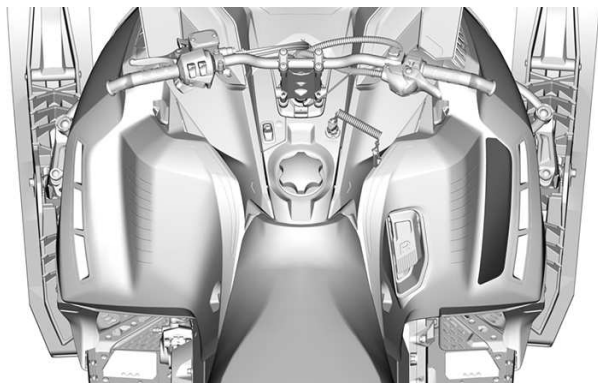
This vehicle is designed for one (1) operator and as many passengers as there are seats with straps or handgrips installed on the vehicle conforming to SSCC standards.

Ce véhicule a été conçu pour un (1) conducteur et autant de passagers qu'il y a de sièges avec courroies ou poignées installées sur le véhicule et rencontrant la norme SSCC.

11025

Page 6: www.polarisinc.com/technical/bjw/pcombs.html

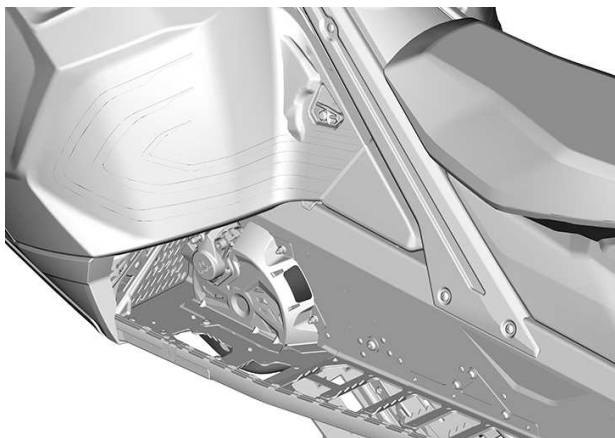
PASSENGER SAFETY - WARNING LABEL



Disk Guard - Warning Label



DISK GUARD – WARNING LABEL



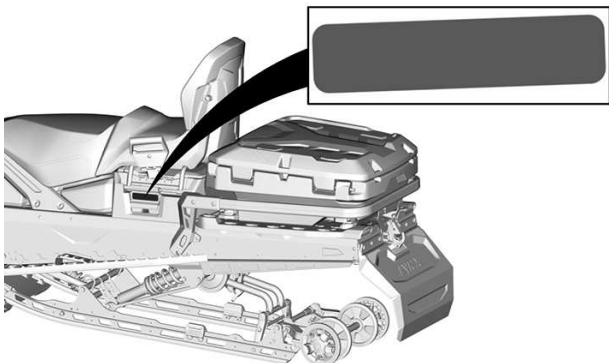
Passenger Seat - Warning Label (20 and 24 in. track width models)

⚠ WARNING

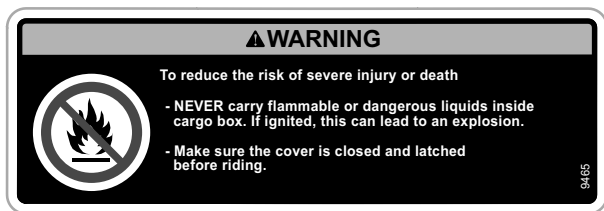
To reduce the risk of severe injury or death.
BEFORE riding, ALWAYS make sure that the latch on each side of the seat or the accessory is fully engaged.

9941

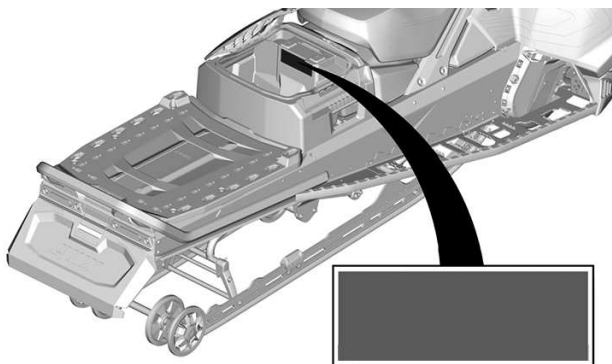
PASSENGER SEAT – WARNING LABEL



Rear Storage Compartment - Warning Label (20 and 24 in. track width models)



REAR STORAGE COMPARTMENT - WARNING LABEL



Cargo Area - Warning Label (20 and 24 in. track width models)

⚠ WARNING

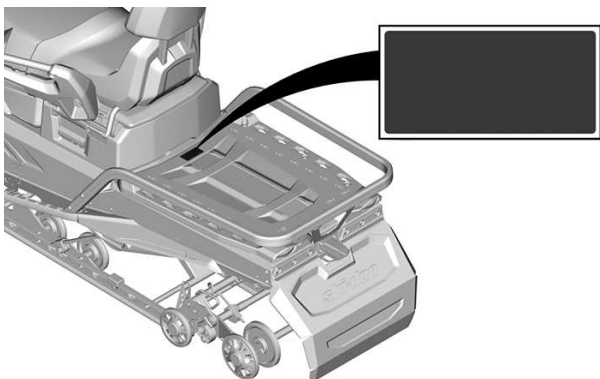
NEVER SIT IN CARGO AREA

Avoid losing control of the vehicle.

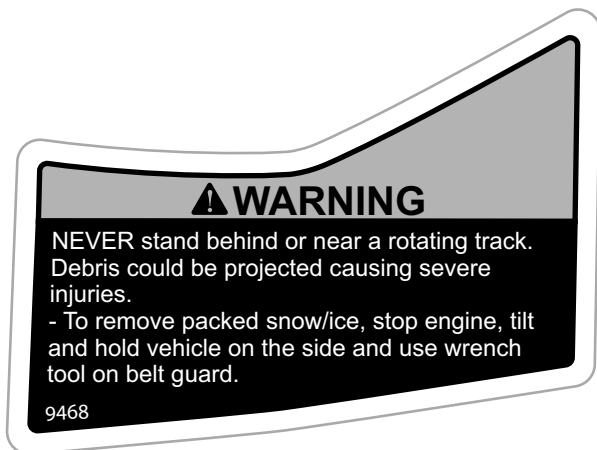
- Reduce your speed when carrying cargo.
- Always adjust suspension according to cargo load.
- **MAXIMUM** cargo load : 57 kg (125 lb) 556 N (including tongue weight).
- Maximum tongue weight : 16 kg (35 lb) 156 N.

9982

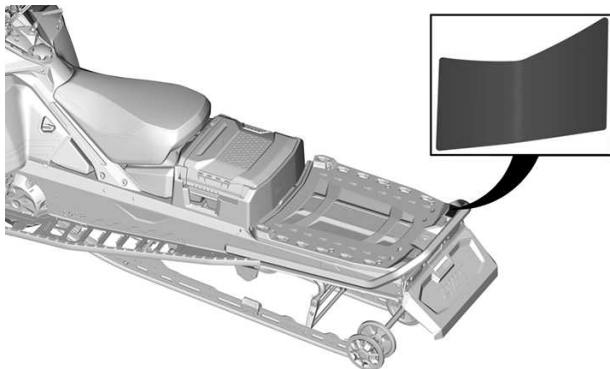
CARGO AREA - WARNING LABEL



Tunnel Rear Section - Warning Label (20 and 24 in. track width models)



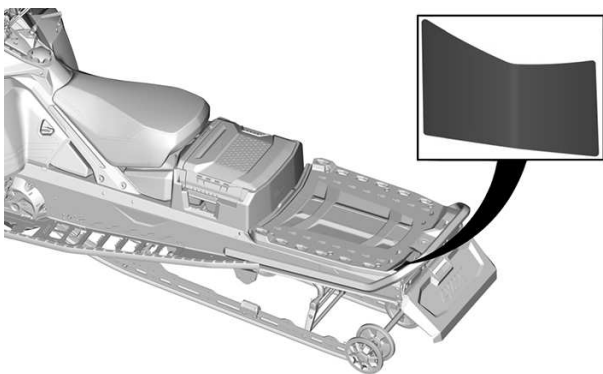
ROTATING TRACK - WARNING LABEL



Maximum Specifications - Warning Label (20 and 24 in. track width models)



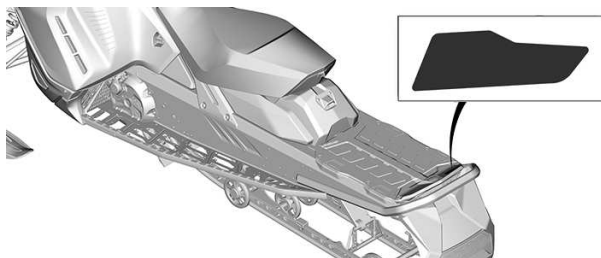
MAXIMUM SPECIFICATIONS - WARNING LABEL



Cargo Area - Warning Label (16 in. track width models)



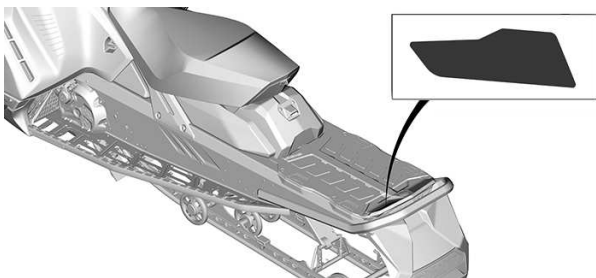
CARGO AREA – WARNING LABEL



Tunnel Rear Section - Warning Label (16 in. track width models)



ROTATING TRACK- WARNING LABEL

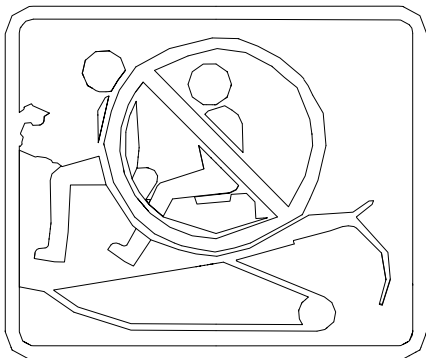


Molded Safety Pictogram

Located on rear storage compartment.

⚠ WARNING

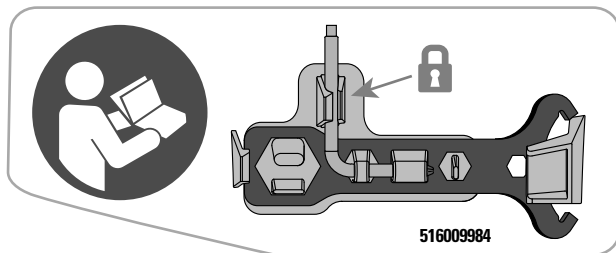
Never carry passengers on cargo box.



Technical Information Labels

Adjustment Tools

- Install suspension adjustment tool first. (Illustrated Red on label)
- Install pulley expander and Headlight adjustment tool second. (Illustrated Blue on label)
- Refer to *Tools in Equipment*.



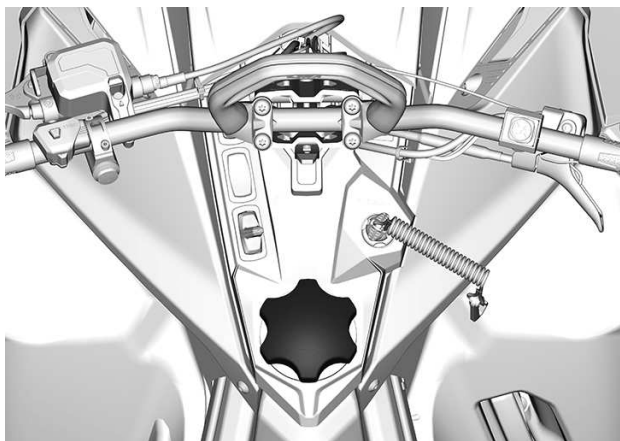
ADJUSTMENT TOOLS



Recommended Fuel - Notice Label

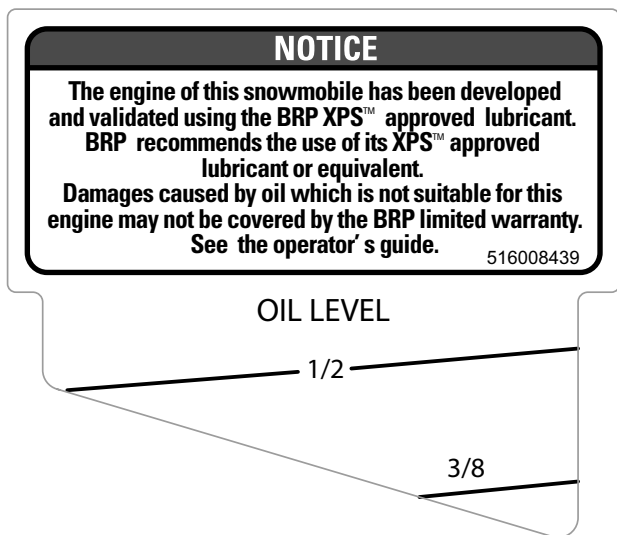
Refer to the *Technical Specifications* for appropriate fuel type for your vehicle engine.

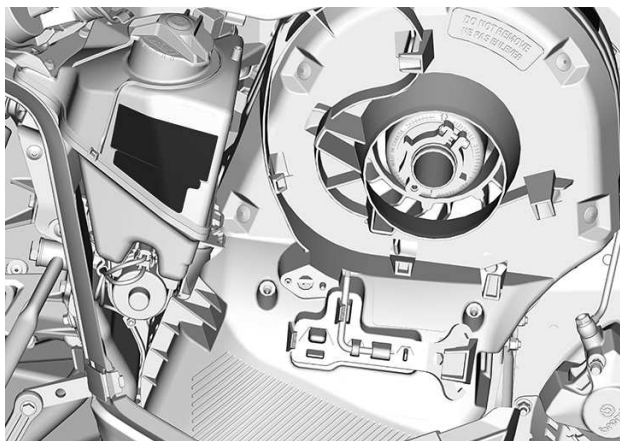
**AKI (RON+MON)/2 OCTANE RATING - NOTICE LABEL****RON OCTANE RATING - NOTICE LABEL**



Recommended Oil - Notice Label

Refer to the *Technical Specifications* for appropriate injection oil type for your vehicle engine.

**RECOMMENDED OIL - NOTICE LABEL**



PRE-RIDE INSPECTION

Perform a pre-ride inspection before each ride to detect potential problems during operation. The pre-ride inspection can help you monitor wear and deterioration before they become a problem. Correct any problems that you discover to reduce the risk of an accident or a malfunction.

Before Starting the Engine

1. Remove snow and ice from body including lights, seat, footrests, controls and instruments.
2. Remove packed snow and ice from the rear suspension using the wrench tool stored on the drive belt guard.
3. Verify that air silencer prefilter is free of snow.
4. Verify that skis and steering operate freely. Check corresponding action of skis versus handlebar.
5. Check fuel and injection oil for levels and leaks. Replenish if necessary and in case of any leaks; you should seek service from an authorized BRP snowmobile dealer, repair shop, or person of your own choosing for maintenance, repair, or replacement.
6. All storage compartments must be properly latched and they must not contain any heavy or breakable objects. Hood and side panels must be also properly latched.
7. Activate the throttle control lever several times to check that it operates easily and smoothly. It must return to idle position when released.
8. Activate the brake lever and make sure the brake fully applies before the brake control lever touches the handlebar grip. It must fully return when released.
9. Apply parking brake and check if it operates properly. Leave parking brake applied.
10. Inspect drive belt condition and height. Refer to *drive belt* in *maintenance procedures*.

After Engine is Started

For proper engine starting procedure, refer to the appropriate *Engine Starting Procedure*.

1. Check headlights high beam and low beam, taillight, stop light and pilot lamps operation.

NOTE:

You may need to detach tether cord from your clothes to check lights. In such a case, attach cord as soon as you get back at the controls of the snowmobile.

2. Check the engine cut-off switch (by pulling tether cord cap) and emergency engine stop switch operation.
3. Release parking brake.
4. Refer to *Vehicle warm up* and follow instructions.

Pre-Ride Check List

ITEM	OPERATION	✓
BODY INCLUDING SEAT, FOOTRESTS, LIGHTS, AIR FILTER, CONTROLS AND INSTRUMENTS	Check condition and remove snow or ice.	
SKIS AND STEERING ACTION	Check for free movement and proper operation.	
SKI RUNNERS	Check for proper operation.	
FUEL AND INJECTION OIL (IF APPLICABLE)	Check for proper level and no leaks.	
COOLANT	Check for proper level and no leaks.	
DRIVE BELT	Check for cracks, fraying or abnormal wear and proper height.	
THROTTLE LEVER	Check for proper operation.	
BRAKE LEVER	Check for proper operation.	
PARKING BRAKE, BRAKE	Check for proper operation.	
BRAKE FLUID	Check for proper level and no leaks.	
STORAGE COMPARTMENT	Check for proper latching and no heavy or breakable objects.	
TRACK	Check condition and remove snow or ice. For studded tracks, refer to <i>Traction Enhancing Products</i> .	
SLIDER SHOES	Check for proper operation.	
EMERGENCY ENGINE STOP SWITCH AND ENGINE CUT-OFF SWITCH (TETHER CORD CAP)	Check for proper action. Tether cord must be attached to operator clothing eyelet.	

LIGHTS	Check for proper operation.	
HORN BUTTON (IF EQUIPPED)	Check for proper operation.	

REPORTING SAFETY DEFECTS

In Canada, if you believe that your vehicle has a defect which could cause a crash or could cause injury or death, you should immediately inform Transport Canada in addition to notifying Bombardier Recreational Products Inc.

If Transport Canada receives similar complaints, it may open an investigation, and if it finds that a safety defect exists in a group of vehicles, it may order a recall and remedy campaign. However, Transport Canada cannot become involved in any individual problems between you, your dealer or Bombardier Recreational Products Inc.

To contact Transport Canada:



819-994-3328 (Gatineau-Ottawa area or internationally)
Toll free : 1 800-333-0510 (in Canada)



Transport Canada - ASFAD
330 Sparks Street
Ottawa, ON
K1A 0N5



<https://www.tc.gc.ca/recalls>

VEHICLE INFORMATION

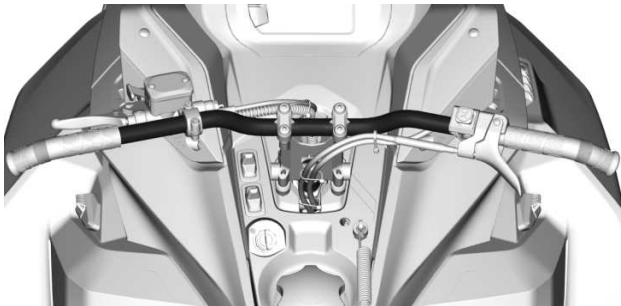
PRIMARY CONTROLS

Handlebar

The handlebar controls the steering of the snowmobile. As the handlebar is rotated to right or left, the skis are turned right or left to steer the snowmobile.

⚠ WARNING

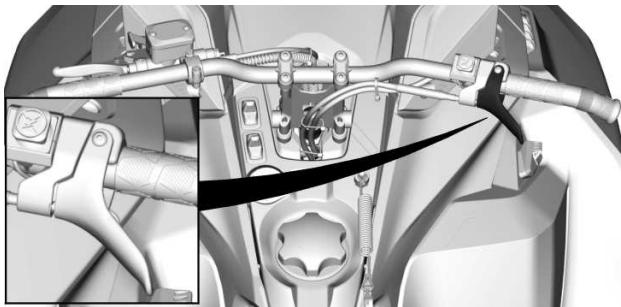
Fast reverse while turning, could result in loss of stability and control.



TYPICAL

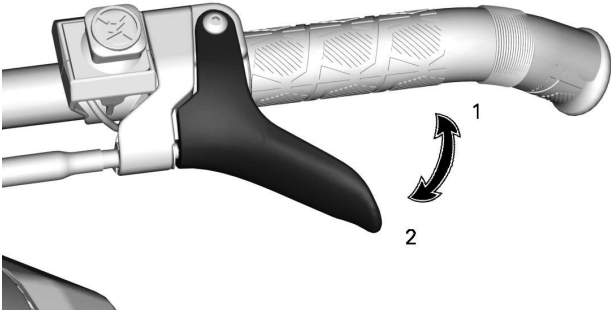
Throttle Lever

Throttle lever is located on the RH side of handlebar.



TYPICAL

Designed to be thumb activated. When squeezed, it increases the engine speed. When released, engine speed returns automatically to idle.



CABLE THROTTLE LEVER

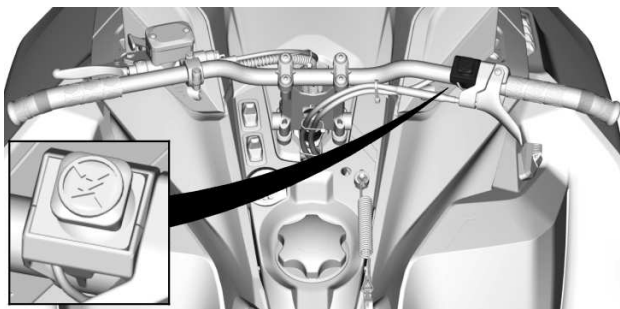
1. To accelerate
2. To decelerate

⚠ WARNING

Test the throttle lever operation each time before starting the engine. The lever must return to the rest position once released. Otherwise, do not start engine.

Emergency Engine Stop Switch

The emergency engine stop switch is located on the RH side of handlebar.



TYPICAL

To stop the engine in an emergency, push the switch down in OFF position and simultaneously apply the brake.



OFF POSITION

To allow engine starting, pull the switch up in ON position.



ON POSITION

All operators of the snowmobile should familiarize themselves with the function of the emergency engine stop switch by using it several times on first outing and whenever stopping the engine thereafter. This engine stopping procedure will become a reflex and will prepare operators for emergency situations requiring its use.

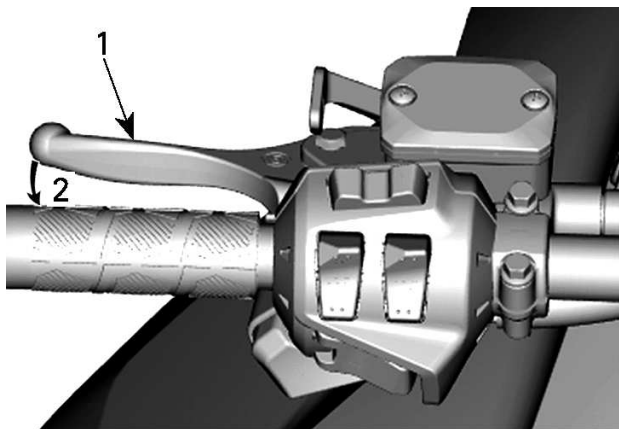
⚠ WARNING

If the switch has been used in an emergency caused by a suspected malfunction, the source of the malfunction should be determined and corrected before restarting engine. See an authorized Ski-Doo dealer for servicing.

Brake Lever

Brake lever is located on the LH side of handlebar.

When squeezed, brake is applied. When released, it automatically returns to the rest. Braking effect is proportional to the pressure applied on the lever and to the type of terrain and its snow coverage.

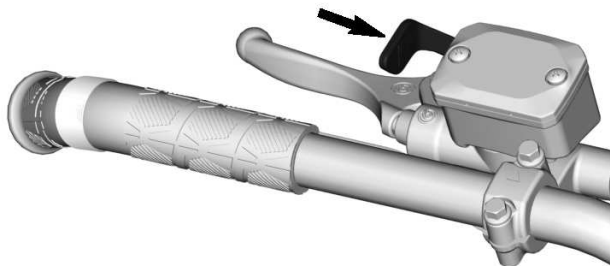


TYPICAL

1. Brake lever
2. To apply brake

Parking Brake Lever

Parking brake lever is located on the LH side of handlebar.



TYPICAL

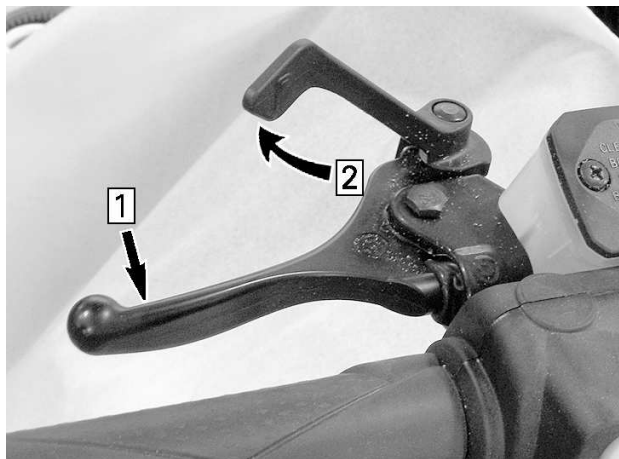
Parking brake should be used whenever snowmobile is parked.

⚠ WARNING

Make sure parking brake is fully disengaged before operating the snowmobile. When you ride the vehicle, brake pads that are caused to drag by a continuous pressure on the lever may cause damage to the brake system and cause loss of braking capacity and/or fire.

To Engage Parking Brake

Apply and hold brake, then lock brake lever using the parking brake lever as shown.

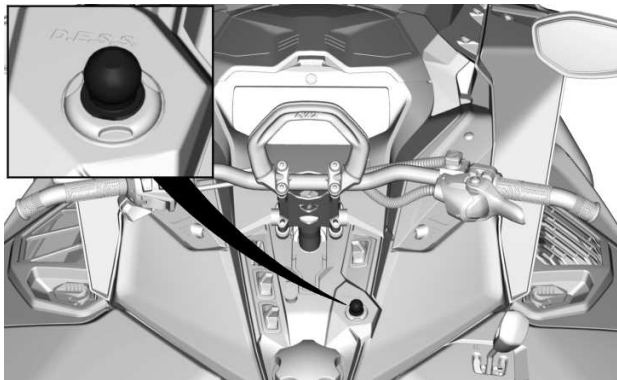
**TYPICAL — ENGAGE MECHANISM**

1. Apply and hold brake
2. Lock brake lever using parking brake lever

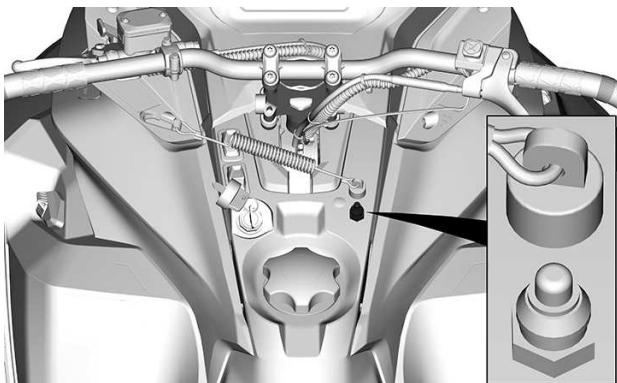
To Release Parking Brake

Squeeze brake lever. Parking brake lever will automatically return to its original position. Always release parking brake before riding.

Engine Cut-off Switch



D.E.S.S.



MECHANICAL SWITCH

The engine cut-off switch (tether cord) is located on the console.

The tether cord cap must be securely snapped on the engine cut-off switch to allow vehicle operation.

Pulling the tether cord cap from the switch shuts the engine off.

 **WARNING**

Always attach the tether cord eyelet to clothing before starting the engine.

D.E.S.S. (Digitally Encoded Security System)

The tether cord cap has an integrated D.E.S.S. key to provide you and your snowmobile with the equivalent security of a conventional lock key.

The D.E.S.S. key contains an electronic chip which features a unique permanently memorized digital code.

Your authorized BRP snowmobile dealer has programmed the D.E.S.S. of your snowmobile to recognize the D.E.S.S. key in the tether cord cap to allow vehicle operation.

After engine starting, 2 short beeps should be heard if a programmed D.E.S.S. key (tether cord cap) is correctly snapped on engine cut-off switch. If another beep code is heard, refer to *Monitoring system* for D.E.S.S. malfunction codes information.

If another tether cord is used without programming the D.E.S.S., the engine will start but will not reach drive pulley engagement speed to move vehicle.

Make sure the tether cord cap is free of dirt or snow.

D.E.S.S. Flexibility

The D.E.S.S. of your snowmobile can be programmed by your authorized BRP snowmobile dealer to accept up to 8 different keys.

We recommend the purchase of additional tether cords from your authorized BRP snowmobile dealer. If you have more than one D.E.S.S. equipped BRP snowmobile, each can be programmed by your authorized BRP snowmobile dealer to accept the other vehicles D.E.S.S. keys.

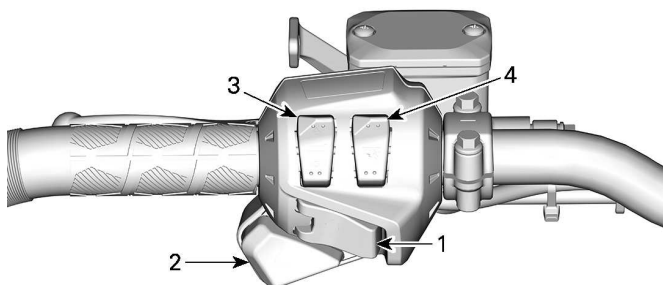
SECONDARY CONTROLS

Some features may not apply to your model or could be optional.

Vehicle safety labels are not shown on illustrations. For information on vehicle safety labels, refer to *Vehicle Safety Labels*.

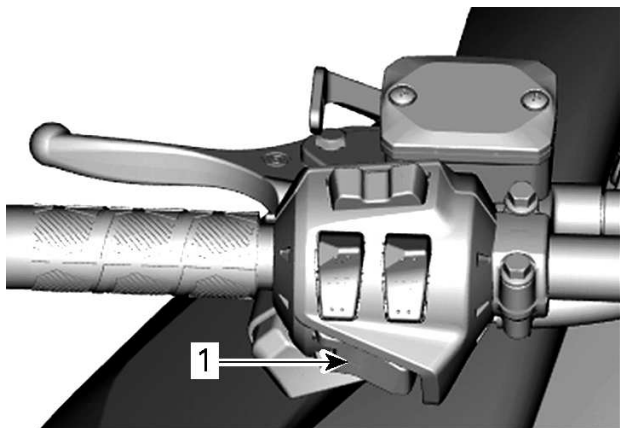
Handlebar Multifunction Switch

Multifunction switch is located on the LH side of handlebar.



1. *Start/Electronic Reverse button*
2. *Headlights dimmer switch*
3. *Heated grips switch*
4. *Heated throttle lever switch*

Start / Electronic Reverse Button



1. Start / RER button

Press to start engine. Refer to *Engine Starting Procedure* in *basic procedures*.

Once engine is started, press to engage the electronic reverse. Refer to *Shifting in Reverse* in *basic procedures* for procedure.

Headlights Dimmer Switch

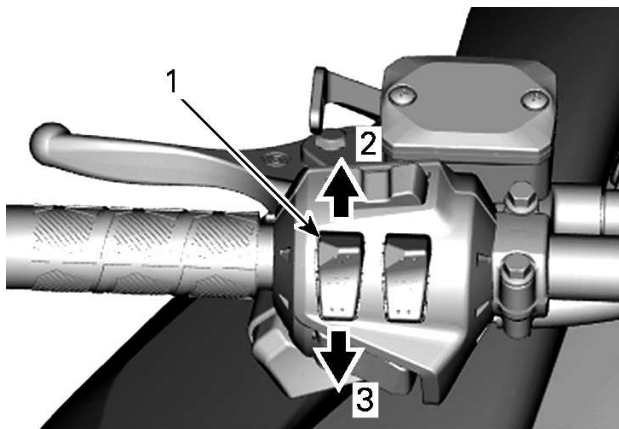
Press to select HI or LOW beam. Lights are automatically ON when the engine is running.

Heated Grips Switch

NOTE:

Under 2000 RPM, heated grips will be limited at 50%.

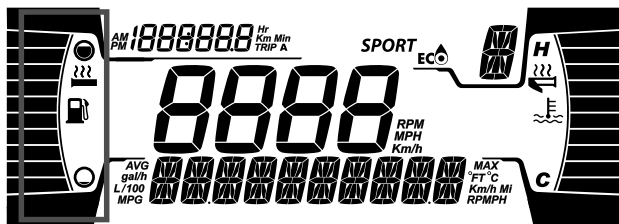
Depress switch as required to select heating intensity to keep your hands at a comfortable temperature.



VARIABLE INTENSITY

1. Heated grip switch
2. Increase heat
3. Decrease heat

The heating intensity is displayed via the digital display.



HEATED GRIPS DISPLAY

There are ten intensity settings. When released, display will return to fuel level.

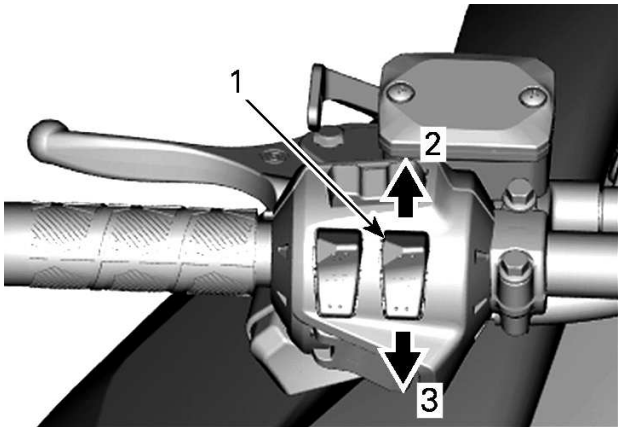
Heated grips will be in OFF position when there are no bars displayed on the gauge.

Heated Throttle Lever Switch

NOTE:

Under 2000 RPM, heated throttle lever will be limited at 50%.

Depress switch as required to select heating intensity to keep your thumb at a comfortable temperature.



VARIABLE INTENSITY

1. Heated throttle lever switch
2. Increase heat
3. Decrease heat

The heating intensity is displayed via the digital display.



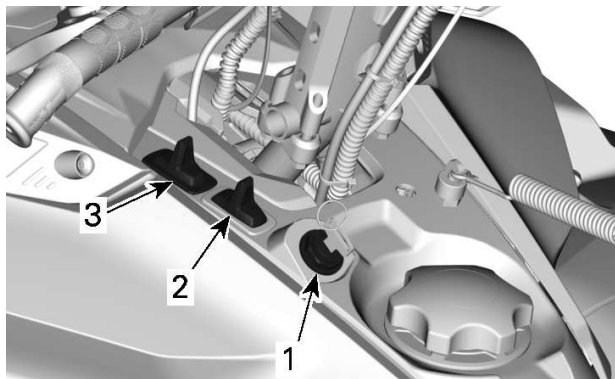
HEATED THROTTLE LEVER DISPLAY

SECONDARY CONTROLS

There are ten intensity settings. When released, display will return to fuel level.

Heated throttle lever will be in OFF position when there are no bars displayed on the gauge.

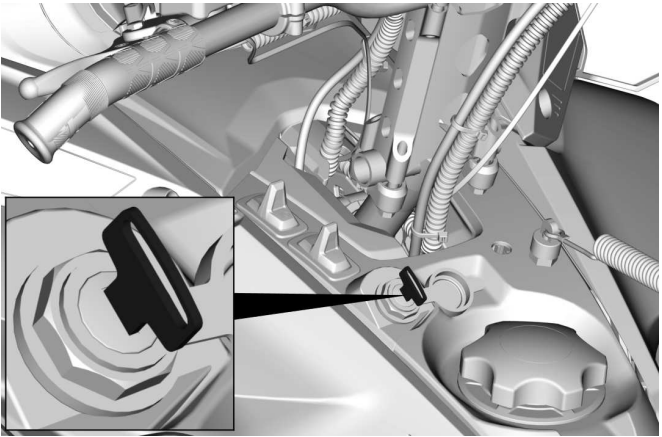
Console Switches (if equipped)



1. *Start/Electronic reverse switch*
2. *Heated grips switch*
3. *Headlights dimmer switch*

Start/ Electronic Reverse Switch

Models with 600 EFI Engines



Turn the ignition key to start the engine. Refer to *Engine Starting Procedure* in *basic procedures*.

Once engine is started, turn the key to engage the electronic reverse. Refer to *Reverse (RER)* in *basic procedures*.

Headlights Dimmer Switch

Press to select HI or LOW beam. Lights are automatically ON when the engine is running.

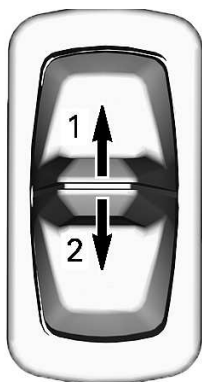
Heated Grips and Heated Throttle Lever Switch

NOTE:

Under 2000 RPM, heated grips will be limited at 50%.

The switch on console controls simultaneously the handlebar grips and throttle lever heat intensity. The balance between the temperature of the throttle lever and the grips can be adjusted. Contact an authorized BRP snowmobile dealer.

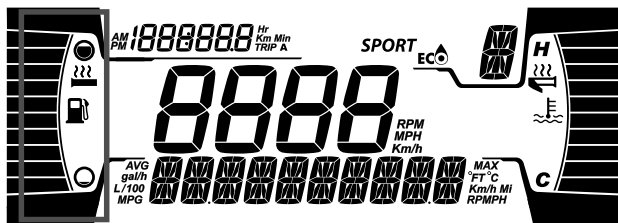
Depress switch as required to select heating intensity to keep your hands at a comfortable temperature.



SWITCH ON CONSOLE

1. Increase heat
2. Decrease heat

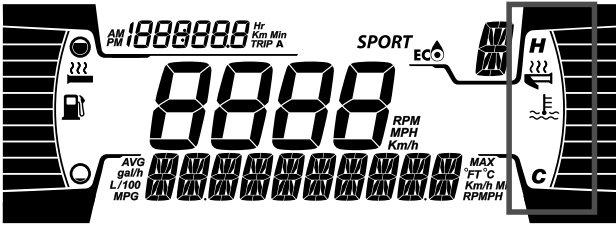
The heating intensity is displayed via the digital display.



HEATED GRIPS DISPLAY

Heated grips will be in OFF position when there are no bars displayed on the gauge.

When the switch is released, display will return to fuel level.



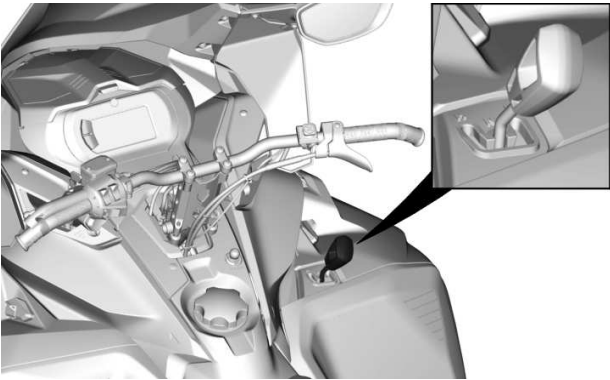
HEATED THROTTLE LEVER DISPLAY

Heated throttle lever will be in OFF position when there are no bars displayed on the gauge.

When the switch is released, display will return to fuel level.

Gearshift Lever

Model equipped with Hi/Lo Gearbox



Use this lever to select gears. The gearbox has two forward gears and a neutral.

Shifting from one position to another is possible at speeds lower than 30 km/h (19 MPH)

 **CAUTION**

Shifting at a speed faster than 30 km/h (19 MPH) may cause serious damage to the gearbox.

Neutral

The neutral position disengages the gearbox.

High Range (Forward)

This position selects the high speed range of the gearbox. It is the normal driving speed range. It allows the vehicle to reach its maximum speed.

Low Range (Forward)

This position selects the low speed range of the gearbox. It allows the vehicle to move slowly with maximum torque.

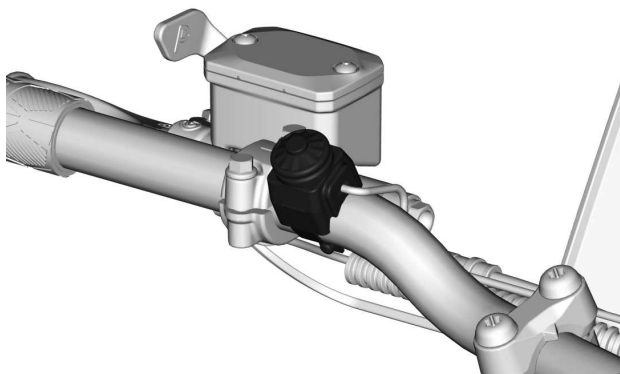
NOTICE

Use the low speed range to pull a cargo carrier, carry heavy cargo, go over obstacles or drive uphill and downhill.

Horn Button (if equipped)

For vehicles sold in Finland

Press on the horn button to activate the horn.



TYPICAL

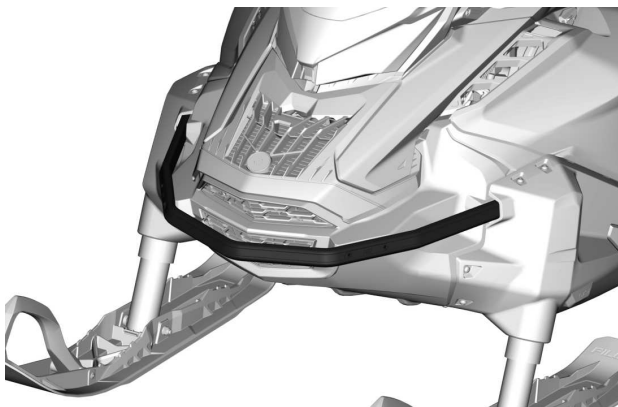
BODY AND SEAT

Front and Rear Bumpers

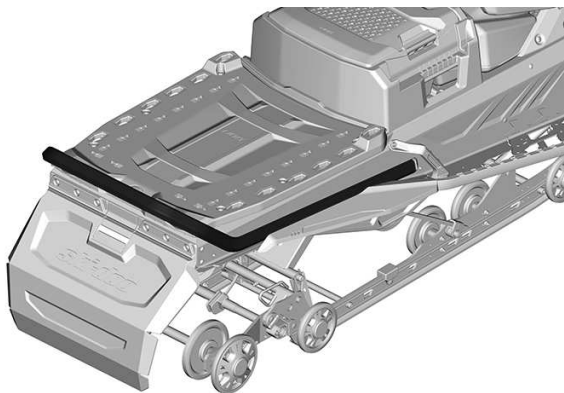
To be used whenever snowmobile requires manual lifting.

⚠ CAUTION

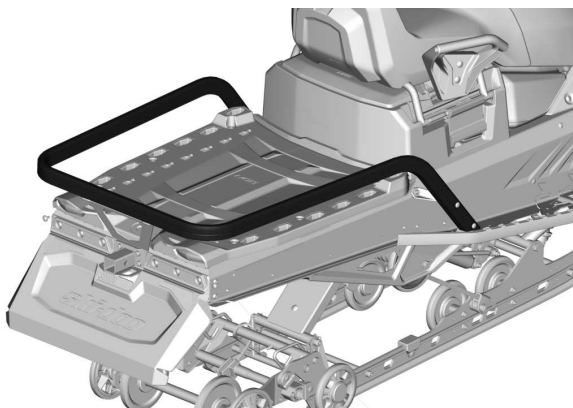
Beware of injuries by using proper lifting techniques, notably using your legs force. Do not attempt to lift the rear of vehicle if it is above your limits. Use appropriate lifting device or have assistance to share lifting stress if possible.
--



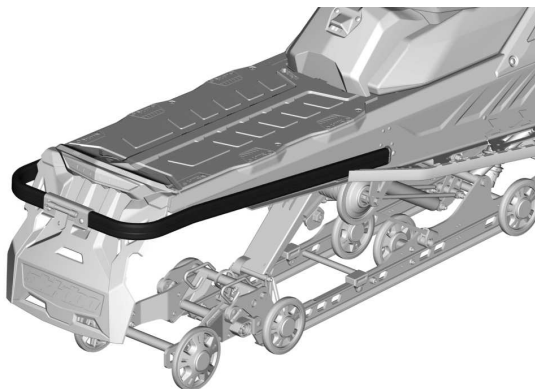
FRONT BUMPER



STD BUMPER — 20 INCHES TUNNEL



CARGO - HEAVY DUTY BUMPER — 20 AND 24 INCHES TUNNEL

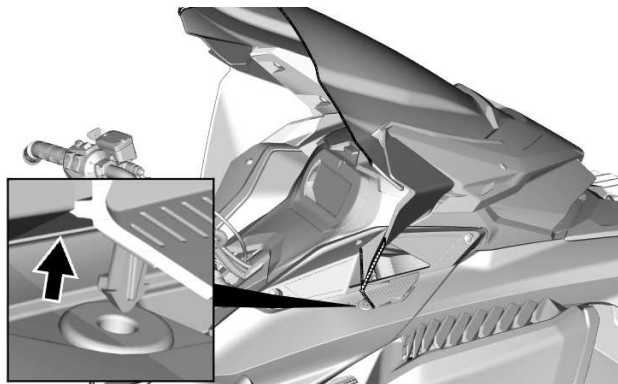


HEAVY DUTY BUMPER — 16 INCHES TUNNEL

Windshield

Removing the Windshield

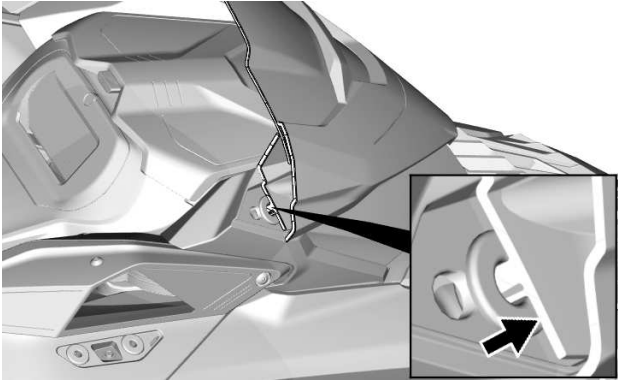
1. Pull off the deflector pins off the grommets, if applicable.



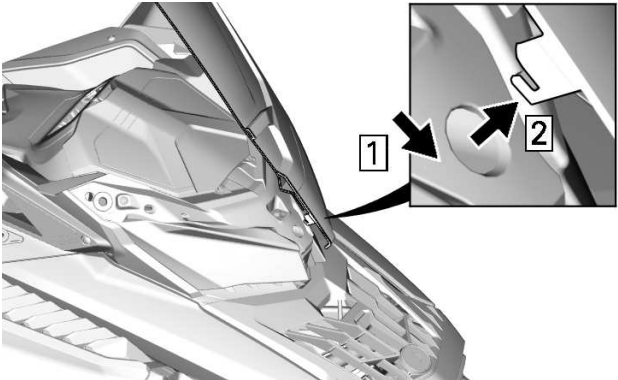
WITH SIDE DEFLECTORS

2. Place hands on each sides of the windshield.

3. Pull the windshield up until both side pins come out of there rubber grommets.



4. Disengage the center pin or tab, if applicable.



CENTER TAB - WITH SIDE DEFLECTORS

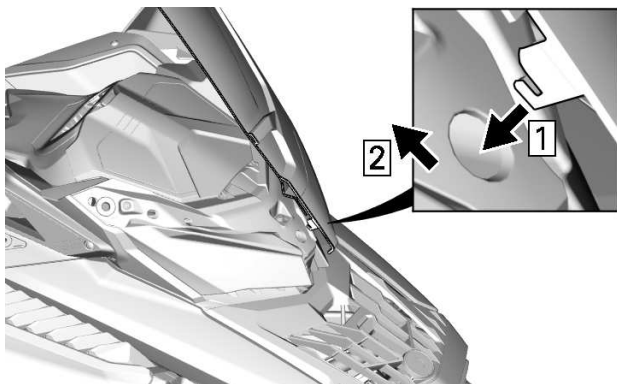
Installing the Windshield

1. Lubricate the grommets using soapsuds.

NOTICE

Do not lubricate grommets with any type of grease.

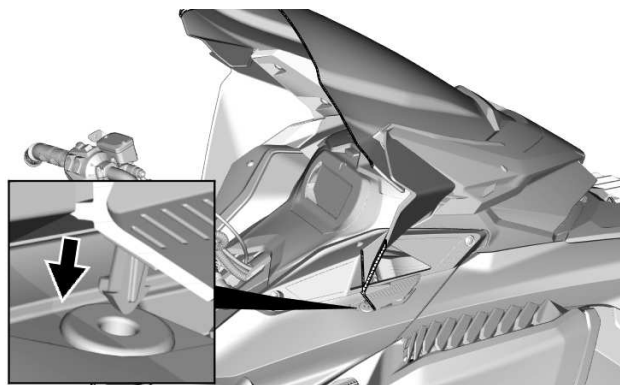
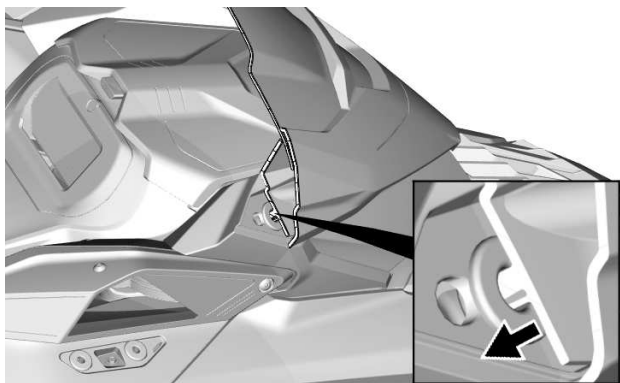
2. Insert center pin or tab in headlamp module hole.



CENTER TAB - WITH SIDE DEFLECTORS



3. Secure windshield by inserting the windshield pins into the grommets.



WITH SIDE DEFLECTORS

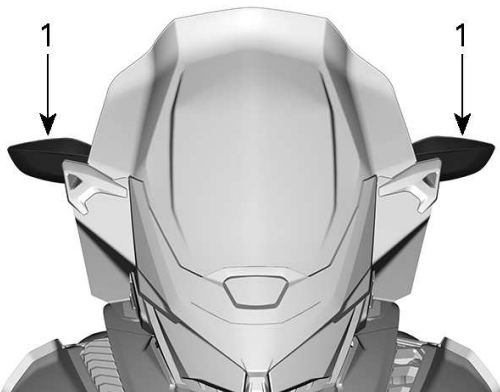
Adjustable Mirrors

Each mirror can be adjusted to suit operator's preference.

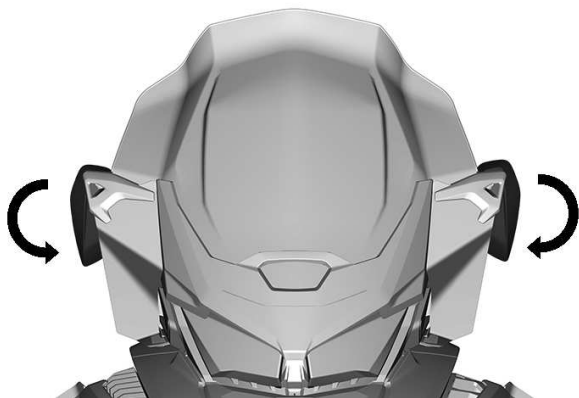
⚠ WARNING

Adjust with vehicle at rest in a safe place.

When installing a cover, the mirrors can be tilted downward to ease installation.



1. Mirrors

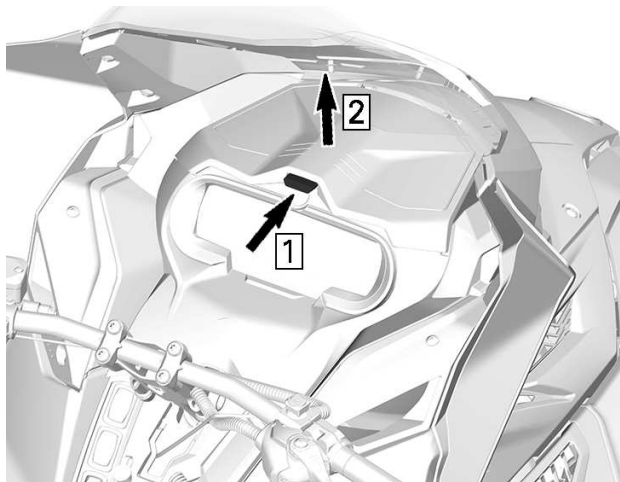


Front Storage Compartment

A storage compartment is located at the front of the vehicle, above the gauge.

The Operator's Guide and the emergency starter rope are in the front storage compartment.

To open, push the button and lift the cover.



TYPICAL

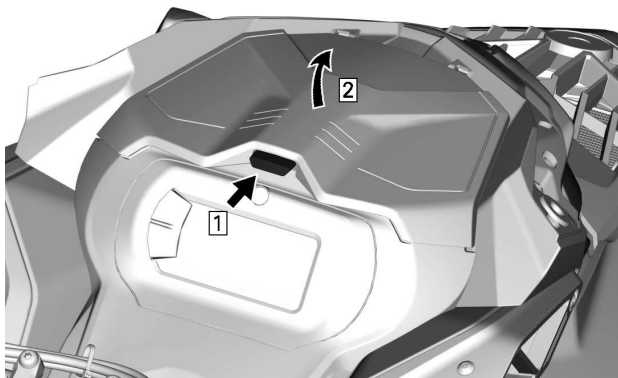
NOTE:

When closing, make sure cover is secured properly. You will hear a "clac".

Upper Body Module

Removing the Upper Body Module

1. Remove the windshield.
2. Open the storage compartment.

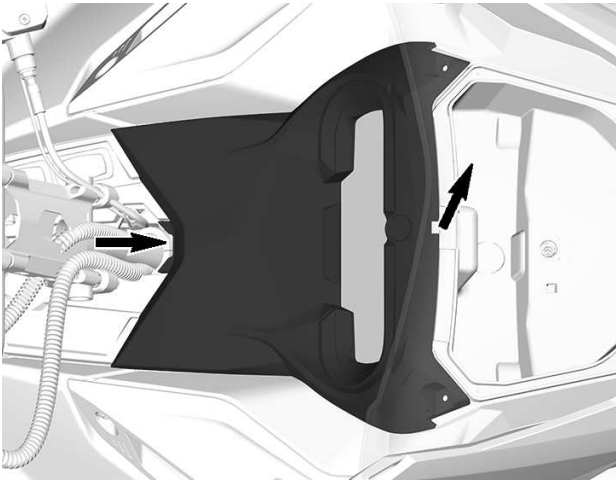


3. Remove the gauge support retaining screws.

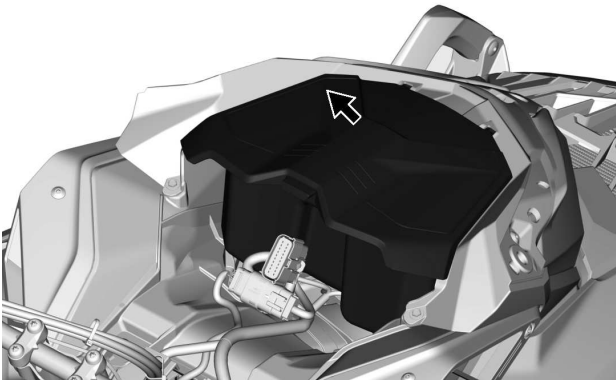


TYPICAL

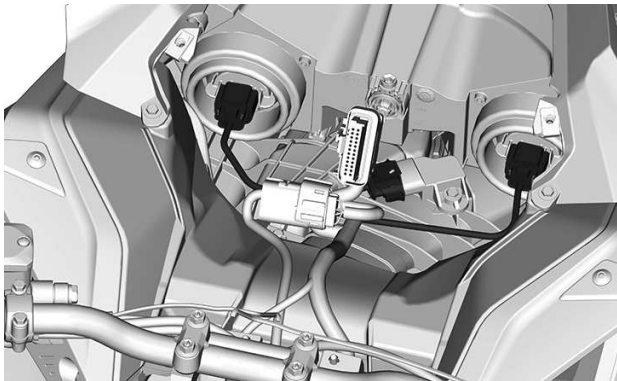
4. Lift the front of the gauge support, then slide it forward to remove it.



5. Disconnect the gauge connector and remove the support.
6. Lift the storage compartment and disconnect the 12V power outlet connectors, if equipped, before removing the storage compartment.

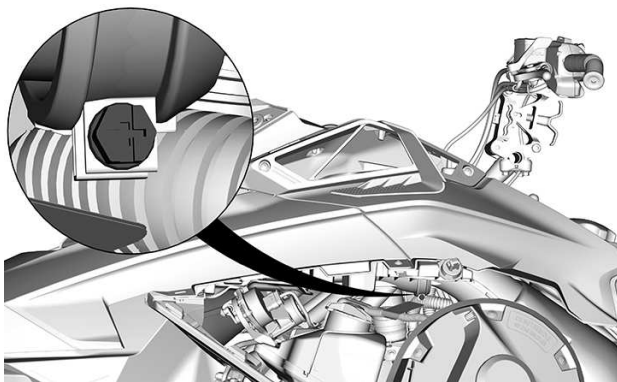


7. Disconnect the headlight and the MAPTS (2-stroke) connectors.

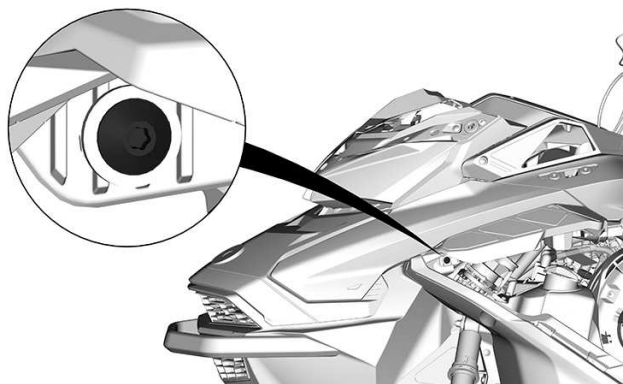
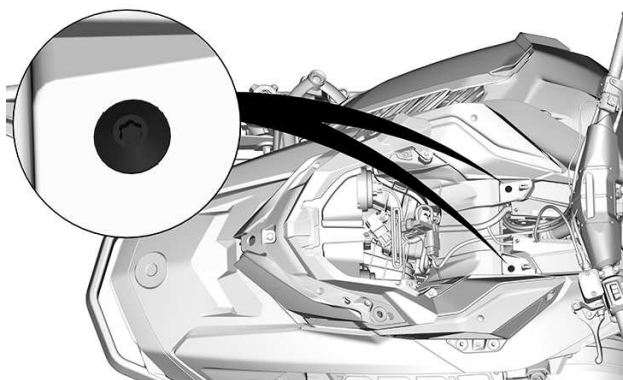


TYPICAL

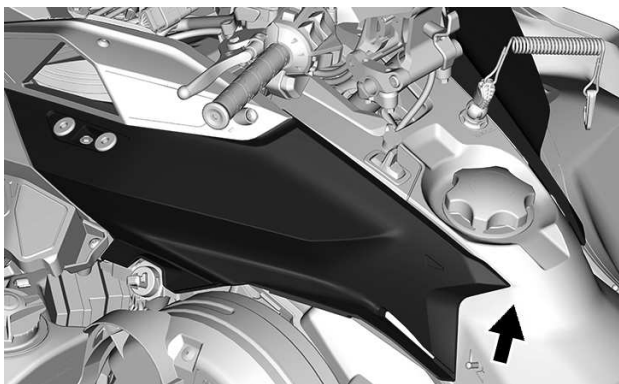
8. Remove both side panels. Refer to *Side Panels* in this section.
9. Loosen the air intake duct clamp.



10. Remove the upper body module retaining screws on both sides.



11. Lift the rear end of both lateral hood until their tabs come out of the rear console.



12. Remove the upper body module.

1. Grab the upper body module in the gauge support section.
2. Pull the module forward.
3. Remove the module from the vehicle.

Installing the Upper Body Module

1. At front, insert the upper body module tabs into the bottom pan openings.



2. Lower the rear end of the upper body module.
3. Insert the rear end hooks of the upper body module into the slots in the console.

NOTE:

Make sure the air intake duct is positioned properly connected.

4. Tighten air intake duct clamp.

TIGHTENING TORQUE	
Intake duct clamp	1.0 ± 0.2 Nm (9 ± 2 lbf-in)

5. On both sides, install the upper body module retaining screws.

TIGHTENING TORQUE	
Upper body screws	1.8 ± 0.2 Nm (16 ± 2 lbf-in)

6. Connect the manifold air pressure and temperature sensor (MAPTS) connector (2-stroke engine).
7. Connect the headlight connectors.
8. Install the storage compartment but leave the cover open.
9. Install gauge, secure with the screws.

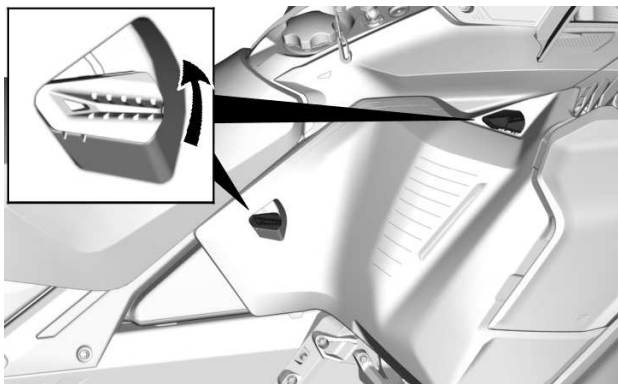
TIGHTENING TORQUE	
Gauge support screws	2.3 ± 0.2 Nm (20 ± 2 lbf-in)

Side Panels

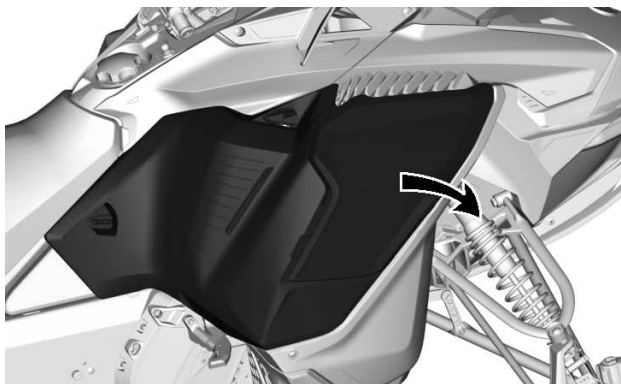
⚠ WARNING
Never operate engine with side panels opened or removed from vehicle.

Removing the Side Panels

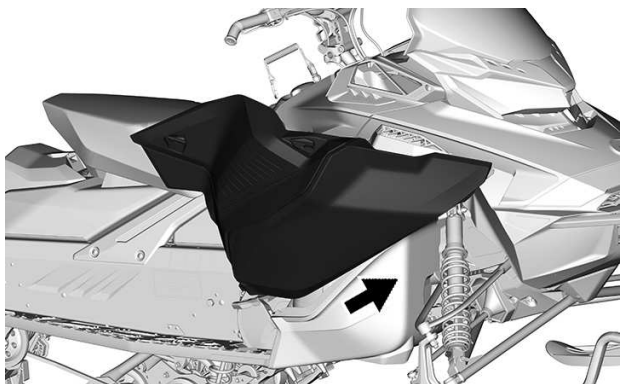
1. Unlock all latches, then open panel.



2. Pivot side panel around lower edge.



3. Slide the panel hinge off the bottom pan.



NOTICE

Make sure to place panel in a safe place to avoid scratching.

Installing the Side Panels

The installation is the reverse of the removal procedure.

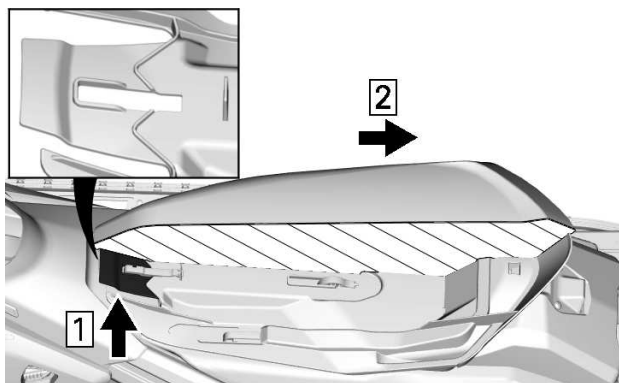
Seat

Seat - 400 mm (16 in.) Tunnel Width

Removing the Seat (tab lock)

From between the fuel tank and the seat front end, pull the locking tab upwards.

Slide the seat backwards while holding the tab up.



CROSSCUT VIEW OF SEAT FOAM

1. Pull upwards
2. Slide backwards

Installing the Seat (tab lock)

NOTICE

Riding the vehicle with any objects between the seat and the fuel tank could damage the fuel tank. **NEVER** place any objects between seat and fuel tank.

Place seat over the hooks, then slide it forward until the tab locks over the front hook.

⚠ WARNING

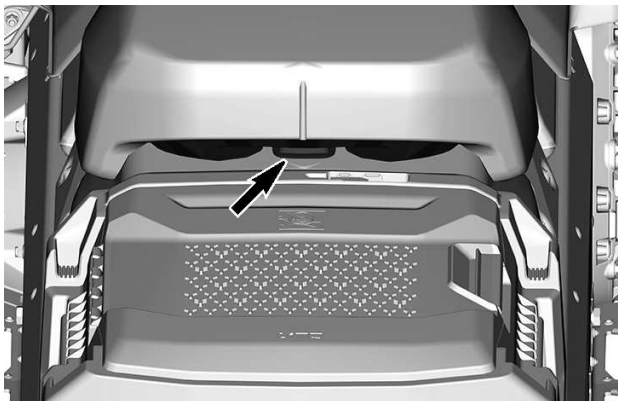
Make sure seat is securely latched before riding.

Seat - 500 and 600 mm (20 and 24 in.) Tunnel Width

Operator's Seat

Removing the Seat

Release the latch at the back of the seat.



Slide seat rearwards to remove it.

Installing the Seat

NOTICE

Riding the vehicle with any objects between the seat and the fuel tank could damage the fuel tank. NEVER place any objects between seat and fuel tank.

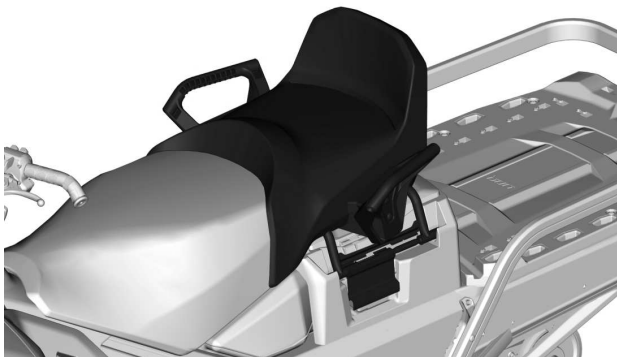
Place seat over the hooks, then slide it forward.

Securely engage the latch.

⚠ WARNING

Make sure seat is securely latched before riding.

Passenger Seat (if equipped)

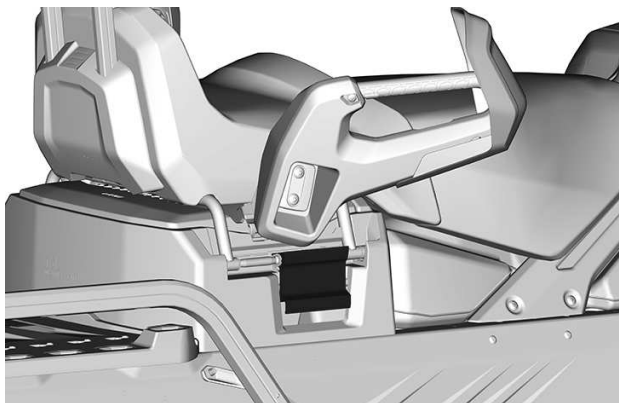


⚠ WARNING

Any passenger must be able to firmly lay is feet on the footrests and keep his hands on the handholds at all times when seated. Respecting those physical criteria is important to ensures that the passenger is stable and to reduce the risks of ejection.

Removing the Passenger Seat

1. Unlock seat latch on both sides.

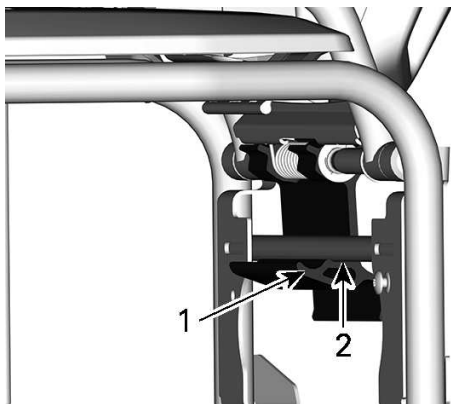
**TYPICAL**

2. Lift the seat to disconnect the electrical connector.
3. Remove passenger seat.

Installing the Passenger Seat

The installation is the reverse of removal procedure. However, pay attention to the following.

Ensure to reach the second step when latching.



1. *First step*
2. *Second step*

 **WARNING**

Ensure the latch is on the second step before riding.

EQUIPMENT

Some features may not apply to your model or could be optional.

Operator's Guide

The Operator's Guide should be stored in the *Front Storage Compartment*.

Mountain Strap

This handlebar strap shall be used only to provide additional pulling force when snowmobile is stuck in a slanted position. On an exceptional basis it can be used at very slow speed only, when standing on the right running board to bring the vehicle back on its desired path. When riding, both hands should remain on the handlebar grips to provide braking capability, as well proper steering and directional control. Do not use handlebar strap for towing, lifting or side hilling.

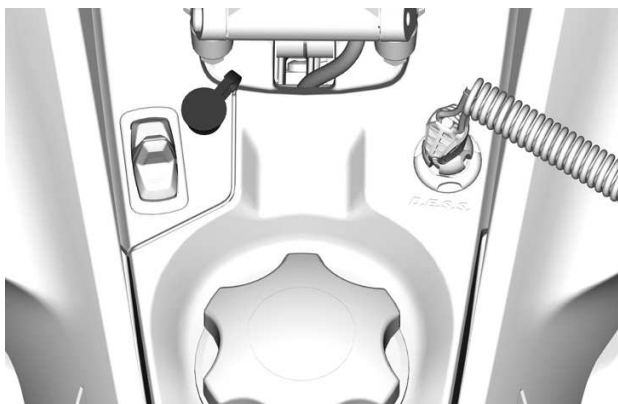


WARNING

Do not use while riding at speed. Steering control is highly reduced and brake control is not possible.

Electric Visor Jack Connector

An electric visor can be connected to the jack connector. A stress relief extension is supplied with the vehicle.



DRIVER - ELECTRIC VISOR JACK CONNECTOR LOCATION

Drive Belt Guard

Removing the Drive Belt Guard

⚠ WARNING

NEVER operate engine:

- Without shields and belt guard securely installed.
- With hood and/or side panels opened or removed.

NEVER attempt to make adjustments to moving parts while engine is running.

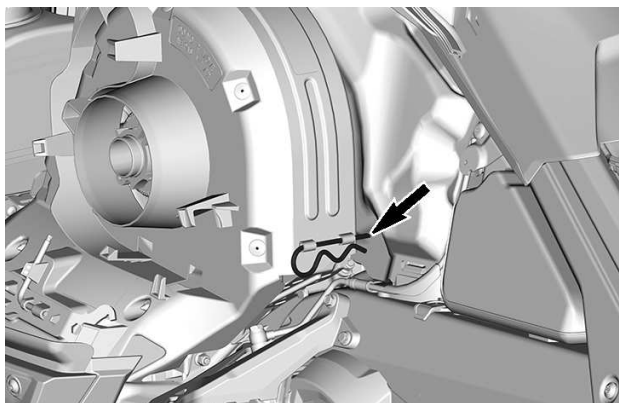
NOTE:

Belt guard is purposely made slightly oversize to maintain tension on its pins and retainers preventing undue noise and vibration. It is important that this tension be maintained when reinstalling.

Remove tether cord cap from engine cut-off switch.

Open the LH side panel. See procedure in this section.

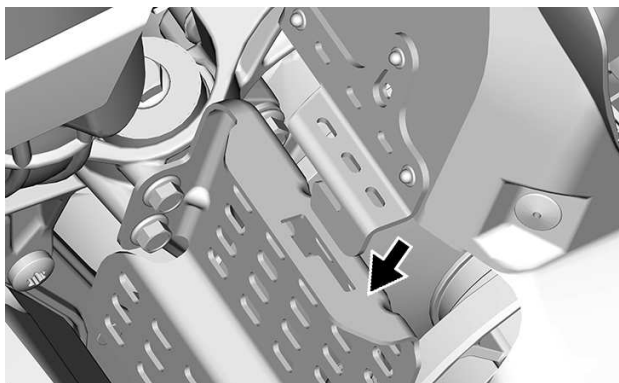
Remove retaining pin.

**TYPICAL**

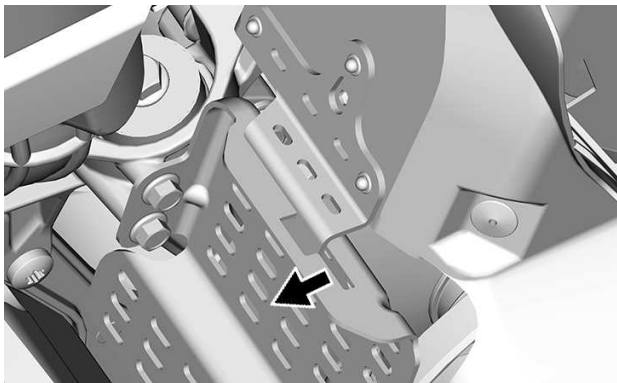
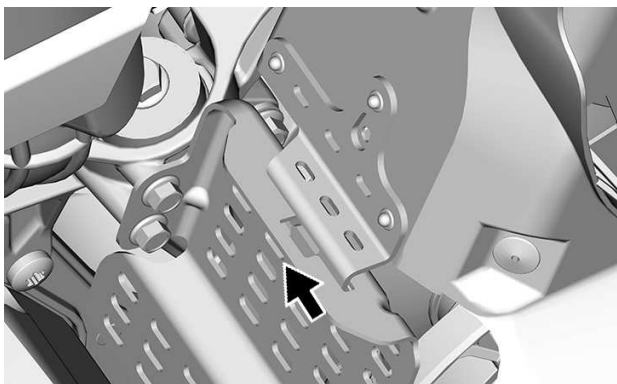
Lift rear portion of guard then release from front tab.

Installing the Drive Belt Guard

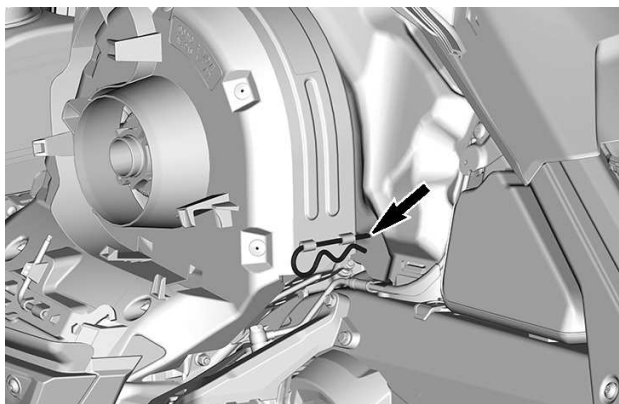
Insert belt guard tab in front support slot.



Push drive belt guard toward engine then toward front of vehicle.



Position the rear portion of the belt guard over the retainer and secure it using the retaining pin.



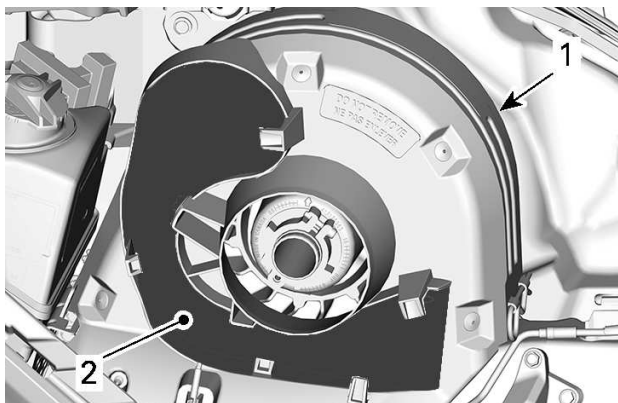
Spare Drive Belt Holder

A spare drive belt can be stored in a holder located on the drive belt guard.

NOTE:

The spare drive belt is not supplied with the snowmobile.

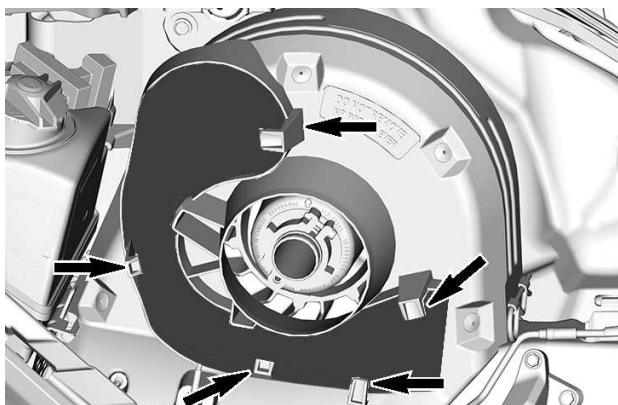
Position spare drive belt into drive belt guard slot.



TYPICAL

- 1. Drive belt guard
- 2. Slot

Secure in place by sliding it behind the tabs.

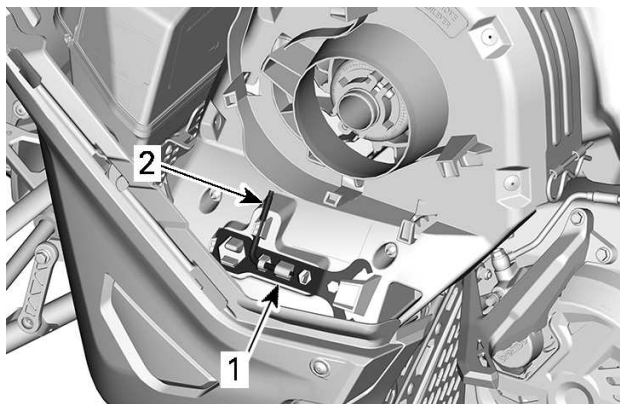


TYPICAL

Tools

A part of the drive belt guard is designed to hold the tools allowing for basic maintenance.

The tools are supplied with the vehicle. They should always be installed in their proper location and orientation.



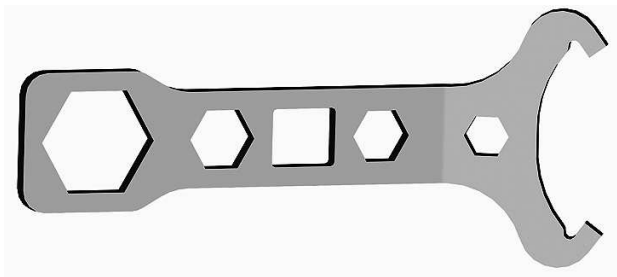
TYPICAL - DRIVE BELT GUARD TOOLS LOCATION

1. *Suspension adjustment tool*
2. *Pulley expander and headlight adjustment tool*

Install in the following sequence:

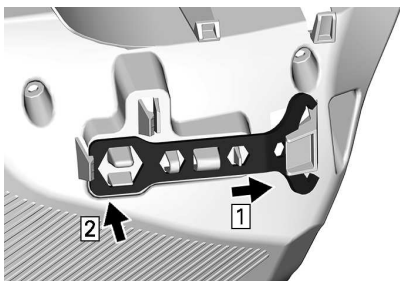
⚠ CAUTION
Make sure tools are secured properly. Tools may detach and cause damage to rotating parts.

1. Slide the suspension adjustment tool open end under retaining tab.



SUSPENSION ADJUSTMENT TOOL

2. Press the closed end on the retaining tabs.

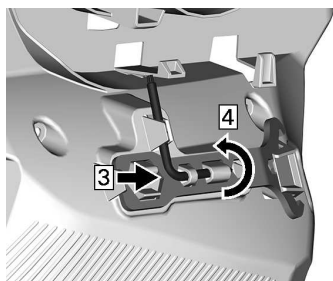


3. Slide the Pulley expander and headlight adjustment tool short end into hole.



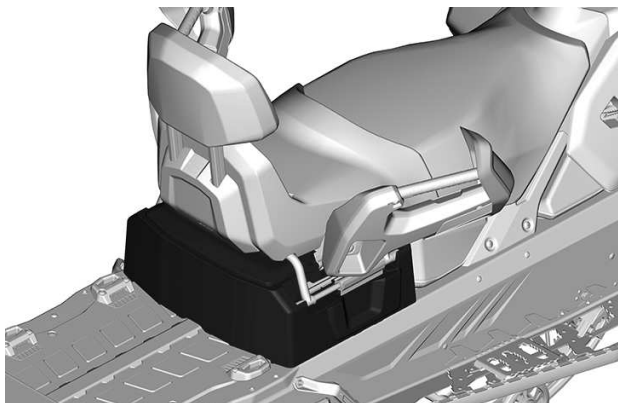
PULLEY EXPANDER AND HEADLIGHT ADJUSTMENT TOOL

4. Rotate and clip long end in place.

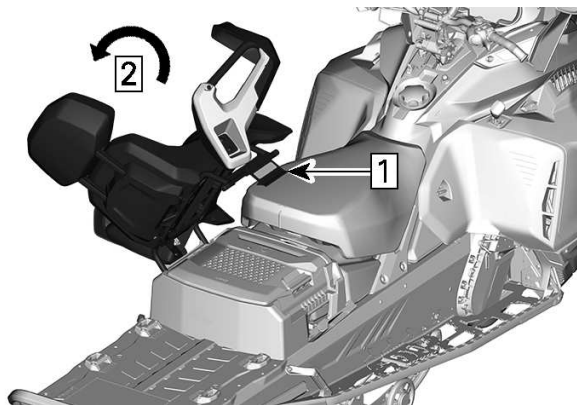


Rear Storage Compartment

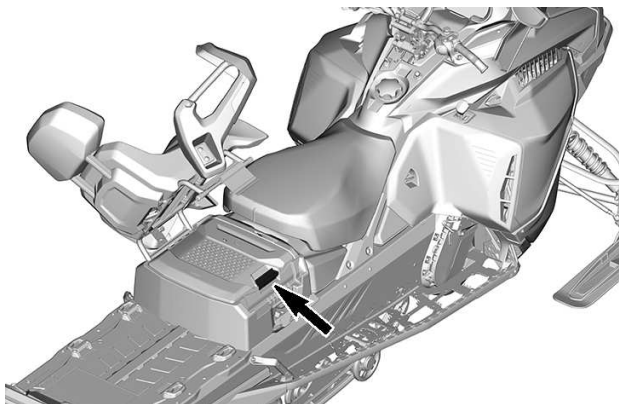
A storage compartment is located at the rear of the seat, above the battery cover.



To open, tilt passenger seat.



1. *Unlock seat latch*
 2. *Tilt passenger seat*
- Lift handle.



Hitch (if equipped)

NOTE:

Refer to decal on vehicle for towing weight capacities.

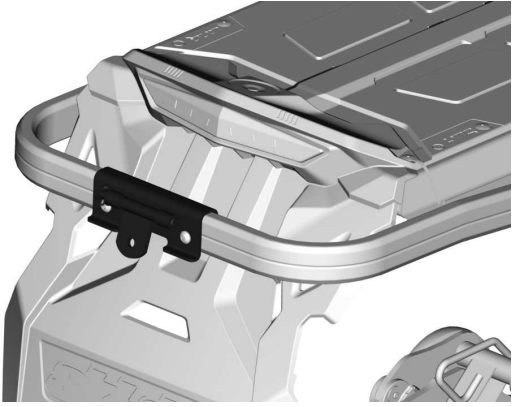
Hitch type availability depends on applicable models and regions.

Hitch receiver

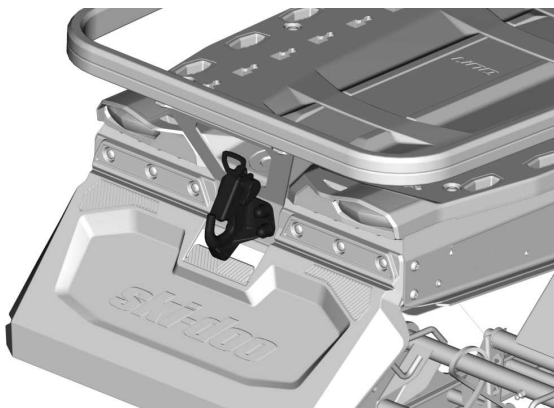


Use the hitch in conjunction with a tow bar to tow an accessory.

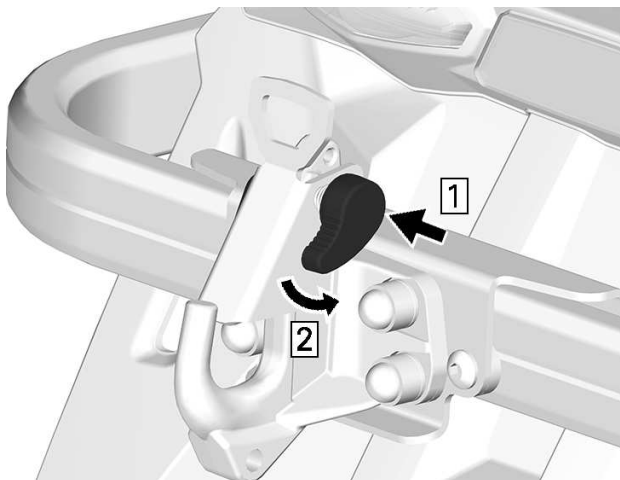
Tongue Hitch



J-Hook Hitch



To open the hook, push and turn the handle to retract locking plate.



When attaching any accessory, always refer to the manufacturer's recommendations.

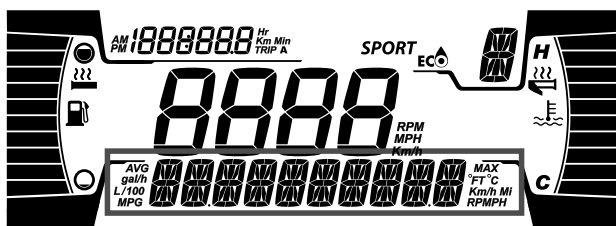
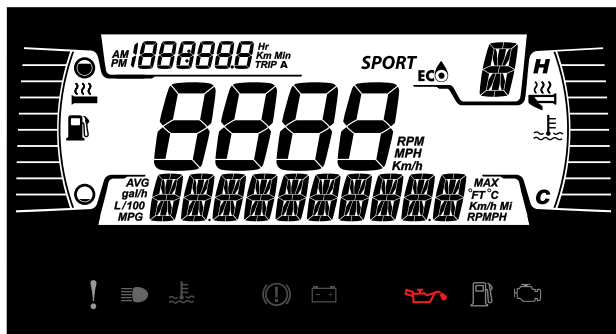
⚠ WARNING

Never tow an accessory with a rope. Always use a rigid tow bar. Using a rope would result in a collision between the object and the snowmobile and possibly in a tip over in case of a rapid deceleration or on a downward slope.

4.5" DIGITAL DISPLAY

Multifunction Display

Lower Display



May display the following:

- RPM
- Speed
- Engine Temperature
- Fuel Statistics
- Settings
- Messages
- Outside temperature (if equipped)

Use LOWER button to change the displayed information.

The SPEED STAT display shows the maximum and the averaged speed. Hold LOWER button for 3 seconds to reset.

When the SPEED display is chosen, the RPM is shown in the TRIP display.

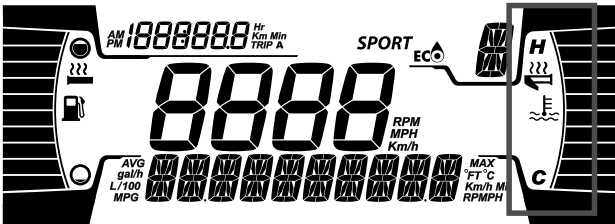
Left Lateral Display



The left lateral display includes:

- Fuel level indicator
- Heated Grip level

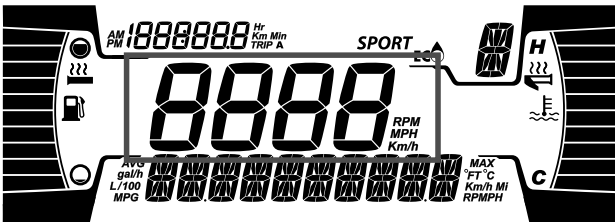
Right Lateral Display



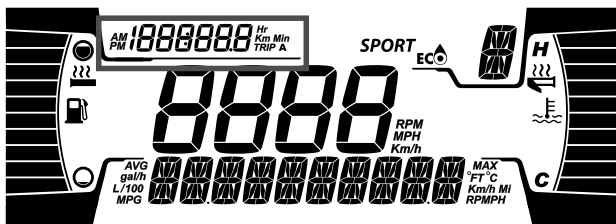
The right lateral display includes:

- Engine Temperature
- Heated throttle indicator

Central Display



Display the RPM of the engine or the vehicle speed in Km/h or MPH.

Trip Display

This display shows trip informations:

- Cumulative distance odometer
- Trip A hours
- Trip A distance (Km or mph)
- Vehicle hour meter
- Clock (If battery equipped)

Use UPPER button to change the displayed information.

Warning Lamps and Indicators







The following indicator lamps will alert you to a vehicle condition that may become serious. Some lamps will illuminate when starting the vehicle to make sure they work. If any lamps remain on after starting the vehicle, refer to the respective system warning lamp for further information.

NOTE:

Some warning indicators appear in the display of the multifunction gauge and function the same as an indicator lamp but do not display when starting the vehicle.

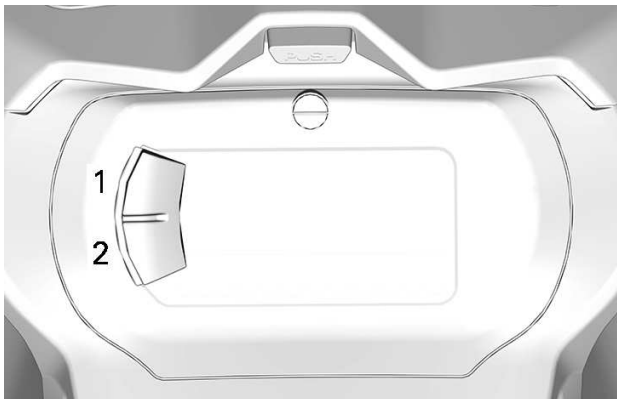
Telltale Lights - Lower Bar

Lights	Description
!	ORANGE - Vehicle malfunction
☰	BLUE - The high beam are selected

Lights	Description
	RED - The engine temperature is too high.
	RED - Parking brake is engaged or malfunction of the brake system
	RED - The battery voltage too low or problem with the electrical system
	RED - Low engine oil pressure (if applicable)
	ORANGE - Low fuel level
	<p>ORANGE</p> <p>Turn on: Malfunction of the vehicle emissions control system</p> <p>Blink: Engine problems, the limp home mode is activated. Have the vehicle serviced immediately.</p>

Settings

Setup



1. Upper button (S)
2. Lower button (M)

Using LOWER button, select **SETTINGS** and hold to enter setting menu.

Reset Stats

Using LOWER button, select **RESET STAT** and hold to reset.

Unit Selection

This multifunction gauge is factory preset in Imperial units but it is possible to change it to Metric units.

Using LOWER button, select **UNITS** and hold button to change units.

Setting Clock

Using LOWER button, select **CLOCK** to change the clock.

1. Press LOWER button to select clock display.
2. Push and hold LOWER button for 1 second.
3. Press LOWER button to select 12:00 AM PM or 24:00 time base.
4. Push and hold LOWER button to acknowledge selection.
5. Press LOWER button to change hours (hours flash).
6. Push and hold LOWER button to acknowledge hour selection.
7. Press LOWER button to switch to minutes (minutes flash).

8. Push and hold LOWER button to acknowledge minutes selection.

Setting Language

The gauge display language can be changed. Refer to an authorized BRP snowmobile dealer for language availability and to setup the gauge to your preference.

FUEL

Fuel Requirements

NOTICE


Always use fresh gasoline. Gasoline will oxidize; the result is loss of octane, volatile compounds, and the production of gum and varnish deposits which can damage the fuel system.

Alcohol fuel blending varies by country and region. Your vehicle has been designed to operate using the recommended fuels, however, be aware of the following:

- Use of fuel containing alcohol above the percentage specified by government regulations is not recommended and can result in the following problems in the fuel system components:
 - Starting and operating difficulties.
 - Deterioration of rubber or plastic parts.
 - Corrosion of metal parts.
 - Damage to internal engine parts.
- Inspect frequently for the presence of fuel leaks or other fuel system abnormalities if you suspect the presence of alcohol in gasoline exceeds the current government regulations.
- Alcohol blended fuels attract and hold moisture which may lead to fuel phase separation and can result in engine performance problems or engine damage.

Recommended Fuel

Use unleaded gasoline containing **MAXIMUM 10%** ethanol. The gasoline must have the following minimum octane requirements.

fuel type	engine	min. octane rating
Fuel with NO ethanol	600 EFI	87 Pump Posted AKI (RON+MON)/2 92 RON
	850 E-TEC 600R E-TEC	91 AKI (RON+MON)/2 95 RON
Fuel which may contain up to 10% MAX ethanol	600 EFI 850 E-TEC 600R E-TEC	91 AKI (RON+MON)/2 95 RON 

NOTICE

Never experiment with other fuels. Engine or fuel system damages may occur with the use of an inadequate fuel.

NOTICE

Do NOT use fuel from fuel pumps labeled E85.

Use of fuel labeled E15 is prohibited by U.S. EPA Regulations.

Fueling Procedure** WARNING**

Always stop engine before refueling.

⚠ WARNING

Fuel is flammable and explosive under certain conditions. Never use an open flame to check fuel level. Never smoke or allow flame or spark in vicinity. Always work in a well-ventilated area.

NOTE:

Do not sit or lean on seat when fuel tank cap is not properly installed.

1. Stop engine.
2. Have operator and passenger get off vehicle.

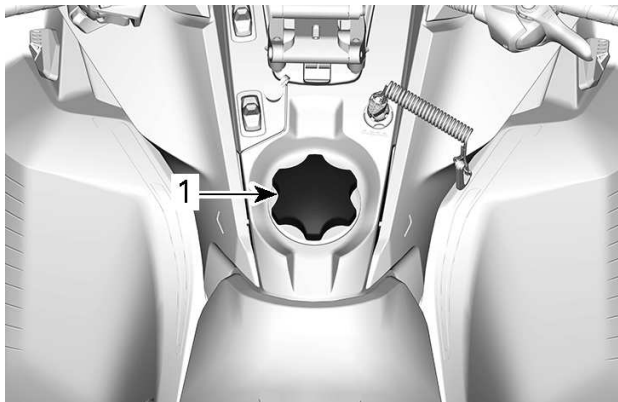
⚠ WARNING

Do not allow anyone seated on the vehicle while fueling.

3. Unscrew slowly the fuel reservoir cap counterclockwise to stabilize pressure before removing it.

NOTE:

A short whistling sound is normal.



TYPICAL

1. Fuel tank cap

4. Insert the spout into the filler neck.

5. Pour fuel slowly so that air can escape from the tank and prevent fuel flow back. Be careful not to spill fuel.
6. Stop filling when the fuel reaches the bottom of filler neck. **Do not overfill.**

 **WARNING**

Never top up the fuel tank before placing the vehicle in a warm area. As temperature increases, fuel expands and may overflow.

7. Fully tighten fuel reservoir cap clockwise.

 **WARNING**

Always wipe off any small fuel spillage from the vehicle. If a major spillage occurs, remove side panels to remove fuel vapors from engine compartment before starting.

NOTE:

Do not sit or lean on seat when fuel tank cap is not properly installed.

INJECTION OIL

Recommended Injection Oil

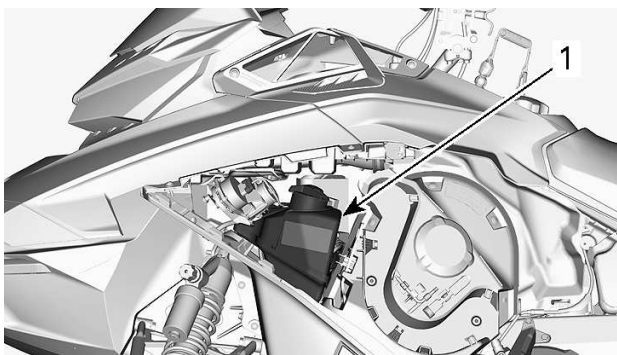
Rotax® engines were developed and validated using the XPS™ oil. BRP recommends the use of its XPS injection oil or an equivalent at all time. Damages caused by the use of an injection oil not suitable for this 2-stroke direct fuel injection engine may not be covered by the BRP Limited Warranty.

RECOMMENDED Injection Oil	
600 EFI	XPS 2T Synthetic Blend Oil (semi-synthetic)
600R E-TEC 850 E-TEC	XPS 2T E-TEC Synthetic Oil (full synthetic)
IF THE RECOMMENDED XPS ENGINE OIL IS NOT AVAILABLE	
Use a 2-stroke lubricant designed for snowmobiles meeting or exceeding the following lubricant industry specifications: <ul style="list-style-type: none">- JASO FD (M345-2004)- SAE Grade 4 (F / M 4)	

Injection Oil Level Verification

The injection oil reservoir is located behind the LH side panel. Refer to *Equipment* for opening procedure.

Always maintain a sufficient amount of recommended injection oil in the injection oil reservoir.



1. Oil reservoir

Marks on the tank indicates "3/8" and "1/2" of the total amount of oil.

NOTICE

Check level and refill every time you refuel.

Adding Injection Oil

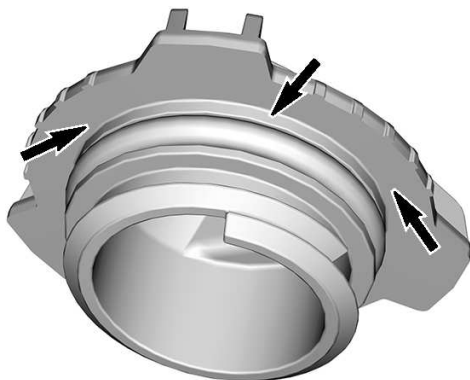
Remove injection oil reservoir cap.

Add injection oil.

NOTE:

Do not overfill.

Wipe the reservoir cap seal and flange area.



Reinstall cap.

NOTICE

Do not overtighten.

⚠ WARNING

Wipe off any oil spills. Oil is highly flammable when heated.

BREAK-IN PERIOD

Operation During Break-In

Engine

During the break-in period:

- Avoid prolonged full throttle operation.
- Avoid sustained accelerations.
- Avoid prolonged cruising speeds.
- Avoid engine overheating.

However, brief accelerations and speed variations contribute to a good break-in.

During a predetermined period, the engine management system controls some engine parameters.

The duration is based on fuel volume. It will take approximately two fuel tanks to complete the break-in.

During this period:

- The engine performance and behavior will not be optimal.
- The fuel and oil consumption will be higher.

Drive Belt

A new drive belt requires a break in period of 50 km (30 mi).

During the break-in period:

- Avoid strong acceleration and deceleration.
- Avoid pulling a load.
- Avoid high speed cruising.

If the vehicle creeps, lower the drive belt height from the preliminary setting. Refer to *Drive Belt* in *maintenance procedure*.

BASIC PROCEDURES

Engine Starting Procedure

Procedure

1. Apply parking brake.
2. Recheck throttle control lever operation.
3. Put your helmet on.
4. Ensure that the tether cord cap is installed on the engine cut-off switch and that the cord is attached to your clothing eyelet.
5. Ensure that the emergency engine stop switch is in the ON position (up).



WARNING

Never depress throttle while starting engine.

6. Release parking brake.

NOTE:

For an initial cold start, do not release parking brake. Perform the *vehicle warm-up* procedure as explained below.

Manual Start Models

Grab rewind starter handle, pull handle slowly until a resistance is felt, then hold handle firmly and pull vigorously to start engine.

NOTE:

The maximum torque that can be transmitted to the engine by the rewind starter is 80 Nm (59 lbf-ft). The maximum force that can be exerted on the on the rope is 2 200 N (494.6 lbf).

Electric Start Models

600 EFI Engine

Turn the ignition key clockwise to engage the electric starter and start the engine. Release the key immediately when engine has started.

E-TEC Engine

Depress the START/RER button to engage the electric starter and start the engine. Release button immediately when engine has started.

NOTICE

Do not engage electric starter for more than 10 seconds at a time. A rest period should be observed between the cranking cycles to allow electric starter to cool down.

Emergency Starting

Do not attempt any emergency starting procedure. Have the battery charged or replaced.

Vehicle Warm-Up

Before every ride, vehicle has to be warmed up as follows.

1. Start engine as explained in *Engine Starting Procedure* above.
2. Allow engine to warm up one or two minutes at idle speed.

NOTE:

Engine will shut down after approximately 12 minutes of idling.

3. Disengage parking brake.
4. Apply throttle until drive pulley engages. Drive at low speed the first two or three minutes.

NOTICE

If vehicle does not move when throttle is applied, stop engine, remove tether cord cap from the engine cut-off switch, then do the following.

- Check if skis are stuck on the ground. Lift one ski at a time by the handle, then put it down.
- Check if track is stuck on the ground. Lift rear of snowmobile enough to clear track from the ground, then drop.
- Check rear suspension for hard snow or ice accumulation that could interfere with track rotation. Clean the area.

CAUTION

Beware of injuries by using proper lifting techniques, notably using your legs force. Do not attempt to lift the rear of vehicle if it is above your limits.

WARNING

Make sure tether cord cap is removed before standing in front of the vehicle, getting close to the track or rear suspension components.

NOTE:

Warm-up is electronically controlled. During this period (up to 10 minutes depending on ambient temperature), engine RPM is limited.

Shifting in High or Low range

This transmission is designed to accept shifting while moving. However, shifting while the engine is under heavy load is not recommended.

NOTICE

Shifting at a speed faster than 30 km/h (19 MPH) may cause serious damage to the gearbox.

High Range

This position selects the high speed range of the gearbox. It is the normal driving speed range. It allows the vehicle to reach its maximum speed.

Low Range

This position selects the low speed range of the gearbox. It allows the vehicle to move slowly with maximum engine torque.

Low range should be used whenever:

- Pulling a cargo carrier or accessory
- Hauling a load
- Crossing obstacles
- Climbing onto trailer
- Hill climbing

It is also recommended to use low range if driving for prolonged periods at speeds under 24 km/h (15 MPH).

NOTICE

Use the low speed range to pull a cargo carrier, carry heavy cargo, go over obstacles or drive uphill and downhill.

Reverse (RER)

When the engine is running, depressing the RER button will slow down engine RPM to almost a stop and advance the ignition timing to invert crankshaft rotation.

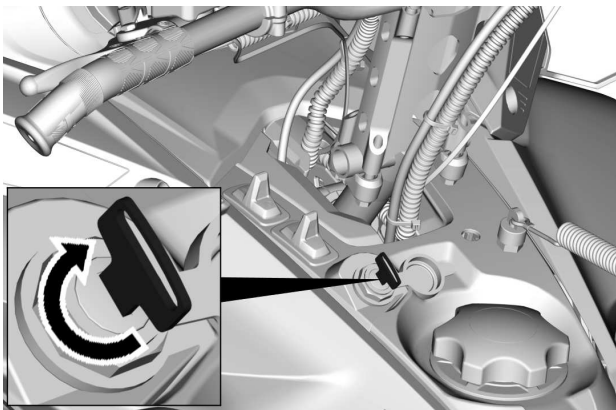
- Engine will automatically shift into forward when restarting after stopping or stalling.
- Shifting procedure will take place only when the engine is running.
- If engine is running at a speed above 4300 RPM, the function of the RER button is disabled.
- It is recommended to warm up the engine to its normal operating temperature before shifting.

Shifting in Reverse

1. Bring vehicle to a complete stop.
2. Apply and hold brake. Remain seated, refer to *Rider Position (Reverse Operation)* in *Riding the vehicle* for posture information.

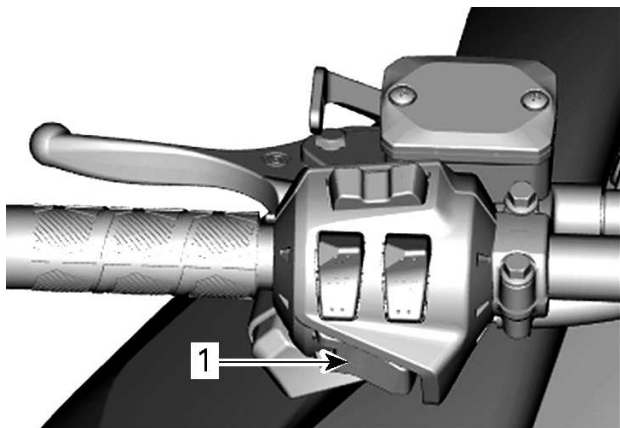
600 EFI Engine

3. With engine at idle speed, turn the ignition key clockwise and release.



E-TEC Engine

4. With engine at idle speed, press and release the Start / RER button.



1. Start / RER button

All Engines

5. Wait until reverse beeper sounds, then gently depress throttle lever.

WARNING

The reverse speed is not limited. Always proceed with caution as fast reverse could result in loss of vehicle stability. Come to complete stop before activating the reverse. Always remain seated and apply the brake before shifting. Ensure the path behind is clear of obstacles or bystanders before proceeding.

Shifting in Forward from Reverse

1. Bring vehicle to a complete stop.
2. Apply and hold brake.

600 EFI Engine

3. Turn the ignition key clockwise and release.

E-TEC Engine

4. Press and release the RER button.

All Engines

5. Apply throttle slowly and evenly. Allow drive pulley to engage then accelerate carefully.

Shutting Off the Engine

Release throttle lever and wait until engine has returned to idle speed.

Shut off the engine using either the emergency engine stop switch or by pulling off the tether cord cap from the engine cut-off switch.

The engine can also be shut off by turning the ignition key counter-clockwise in OFF position, if equipped.

 **WARNING**

Always remove the tether cord cap from engine cut-off switch when vehicle is not in operation in order to prevent accidental engine starting or to avoid unauthorized use by children or others or theft.

RIDING CONDITIONS AND YOUR SNOWMOBILE

Altitude

At factory, your snowmobile was calibrated to be used within an altitude range (relative to sea level).

A new snowmobile has a tag attached to the handlebar indicating its calibration. Refer to *Safety Information on Vehicle*.

If for any reason you don't know your snowmobile calibration, contact an authorized BRP snowmobile dealer.

If your snowmobile is to be used at an altitude outside the specified range, have it calibrated accordingly by an authorized BRP snowmobile dealer.

NOTICE

An inappropriate altitude calibration would decrease performance and may cause serious damage to the snowmobile.

Temperature

The engine management of these engines provides the optimum air/fuel ratio for all temperatures.

Hard Packed Snow

All models covered in this guide which are equipped with a minimum track profile of 44 mm (1.75 in) are built for deep snow conditions and should never be used during a prolonged period of time in marginal or hard packed snow conditions.

In the event you have to ride in these types of conditions:

- Avoid exceeding a speed of 70 km/h (45 mph) in all conditions
- Avoid hard acceleration (over 75% of throttle)
- Ice scratchers should be applied
- Engine temperature should not exceed 75% on the temperature gauge.

NOTICE

Running these types of tracks at high speed on a trail, on hard packed surfaces or on ice puts more stress on the lugs, which tends to heat up as a result. It also could drastically reduce the life of specific wear parts. To avoid potential degradation, delamination or damages to the track and wear parts, reduce your speed and minimize the distance that is being ridden on these types of surfaces.

Vehicles Equipped with Ice Scratchers

Ice scratchers are equipped on the vehicle to increase engine cooling efficiency, to lubricate and to cool track clips and sliders. They must be used whenever on ice, hard packed snow, or any conditions that do not lift enough snow particles into the rear suspension and the tunnel.

NOTICE

Although it is not recommended to ride a snowmobile equipped with a high lug profile track on trails or hard packed snow conditions, it is highly suggested to combine idler wheels and ice scratchers on a vehicle used in these conditions.

IMPORTANT

Ridding in these trail conditions puts the reliability of the track and its warranty at risk

If equipped with the following track profile heights, never exceed the recommended sustained vehicle speeds listed.

Track Profile Height	Maximum Sustained Speed
57 mm (2.25 in) 60 mm (2.36 in)	110 km/h (70 MPH)
64 mm (2.52 in) 75 mm (3 in)	95 km/h (60 MPH)

TUNE YOUR RIDE

Snowmobile handling and comfort depend upon multiple adjustments.

 **WARNING**

Suspension adjustment could affect vehicle handling. Always take time to familiarize yourself with the vehicle's behavior after any suspension adjustment have been made. Always adjust LH and RH suspension components to the same setting.

Choice of suspension adjustments vary with carrying load, operator's weight, personal preference, riding speed and field condition.

NOTE:

Some adjustments may not apply to your snowmobile.

 **WARNING**

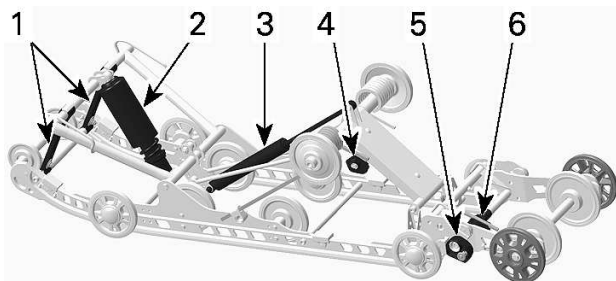
Before proceeding with any suspension adjustment, remember:

- **Park in a safe place.**
- **Remove the tether cord cap from the engine cut-off switch.**
- **Use appropriate lifting device or have assistance to share lifting stress. If a lifting device is not used, use proper lifting techniques, notably using your legs force.**
- **Do not attempt to lift the front or rear of vehicle if it is above your limits.**
- **Support front of vehicle off the ground with a suitable device before adjusting suspension.**
- **Support rear of vehicle off the ground with a wide-base snowmobile stand with a rear deflector panel.**
- **Make sure support device is stable and secure.**

The best way to set up the suspension is to customize each adjustment one at a time. Various adjustments are interrelated. It may be necessary to readjust center spring after adjusting front springs for instance. Test run the snowmobile under the same conditions; trail, speed, snow, operator riding position, etc. Proceed methodically until you are satisfied.

Following are guidelines to fine-tune suspension. Use suspension adjustment tool provided in the tool kit.

Rear Suspension Adjustments



SC-5U - ADJUSTABLE COMPONENTS

1. *Stopper straps*
2. *Center spring*
3. *Rear shock absorber*
4. *Rear springs*
5. *Extension stabilizer cam*
6. *Extension spring cam*

NOTICE

Whenever adjusting rear suspension, check track tension and adjust if necessary.

Stopper Strap

Stopper strap length has an effect on the amount of weight the center spring has to carry especially during acceleration, therefore on the front end uplift.

Stopper straps length also has an effect on center spring travel.

NOTICE

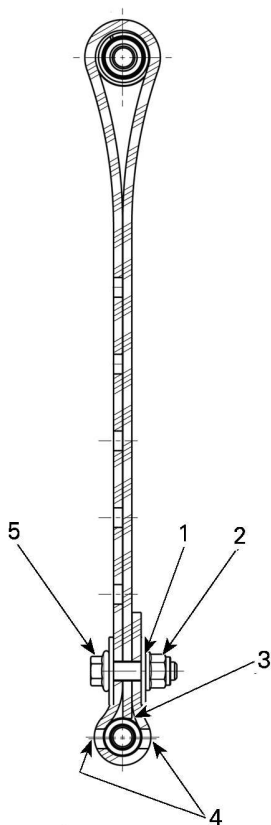
Whenever stopper strap length is changed, track tension must be checked.

Action	Result
Increasing stopper strap length	Lighter ski pressure under acceleration

Action	Result
	More center spring travel
	More bump absorption capability
Decreasing stopper strap length	Heavier ski pressure under acceleration
	Less center spring travel
	Less bump absorption capability

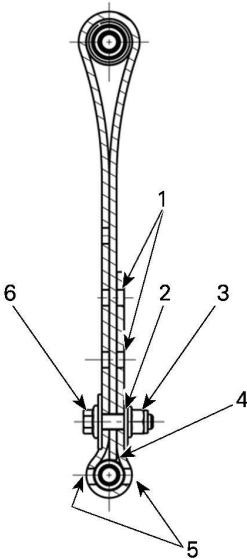
NOTE:

Stopper strap could be set to position 1, 2, 3, 4 and 5. Below are illustrations for position 1 and 3. Smaller numbers correspond to a longer strap setting.



STOPPER STRAP POSITION 1 (1ST HOLE, LONGEST)

1. 1st hole from end
2. Towards rear
3. Tip of strap touching strap axis
4. Two holes left open between screw head and nut
5. Towards front



STOPPER STRAP POSITION 3 (3RD HOLE)

1. Free holes
2. 3rd hole from end
3. Towards rear
4. Tip of strap touching strap axis
5. Two holes left open between screw head and nut
6. Towards front

NOTE:

Decreasing the stopper strap length may reduce comfort. If too much weight transfer is felt, try to correct it by adjusting the coupling blocks first. Always install stopper strap bolt as close as possible to the lower shaft.

When operating the snowmobile in deep snow, it may be necessary to vary stopper strap length and/or riding position, to change the angle at which the track rides on the snow. Operator's familiarity with the various adjustments as well as snow conditions will dictate the most efficient combination.

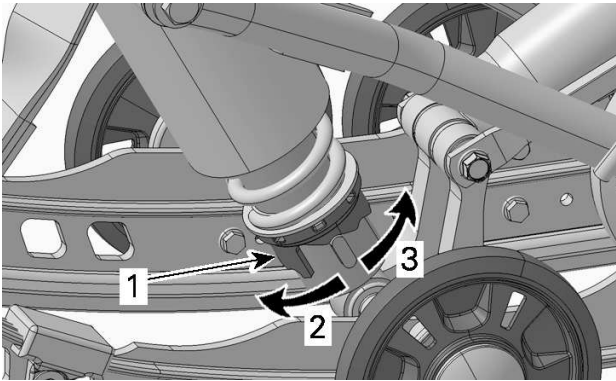
Generally, a longer stopper strap setting gives better performance in deep snow on a flat landscape.

Center Spring

Center spring preload has an effect on steering effort, handling and bump absorption.

Also, since center spring preload adjustment puts more or less pressure on the front of the track, it has an effect on the performance in deep snow.

Action	Result
Increasing preload	Lighter steering
	More bump absorption capability
	Better deep snow starts
	Better deep snow performance and handling
Decreasing preload	Heavier steering
	Less bump absorption capability
	Better trail handling



CAM TYPE - MOTION CONTROL SHOCK ABSORBER

1. *Spring preload adjustment cam*
2. *Increase preload*
3. *Decrease preload*

NOTE:

For cam type preload adjuster, use the suspension adjustment tool provided in the tool kit.

Rear Spring

Rear spring preload has an effect on comfort, ride height and load compensation.

Also, adjusting rear spring preload shifts more or less weight to the snowmobile front end. As a result, more or less weight is applied to the skis. This has an effect on performance in deep snow, steering effort and handling.

Slight suspension bottoming occurring under the worst riding conditions indicates a good choice of spring preload.

NOTE:

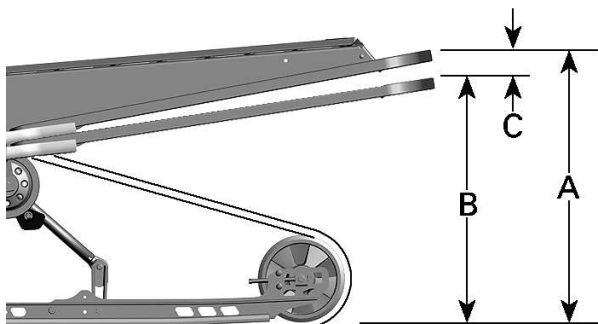
Ensure to adjust suspension when hauling cargo.

NOTE:

Remove cargo load to ease preload adjustment.

Action	Result
Increasing preload	Firmer rear suspension
	Higher rear end
	More bump absorption capability
	Heavier steering
Decreasing preload	Softer rear suspension
	Lower rear end
	Less bump absorption capability
	Lighter steering
	Better performance and handling in deep snow

Refer to the following to determine if preload is correct.



TYPICAL - PROPER ADJUSTMENT

- A = Suspension fully extended
- B = Suspension has collapsed with operator, passenger and load added
- C = Distance between dimension "A" and "B", see table below

C	What to do
50 to 75 mm (2 to 3 in)	No adjustment required
More than 75 mm (3 in)	Adjusted too soft. Increase preload
Less than 50 mm (2 in)	Adjusted too firm. Decrease preload

NOTE:

If the specification is unattainable with the original springs, see an authorized BRP snowmobile dealer for other available springs.

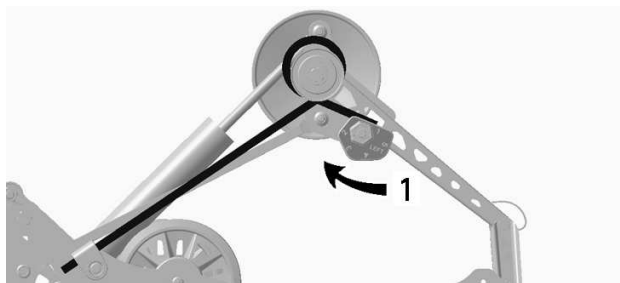
NOTICE

To increase spring preload, always turn the left side adjustment cam in a clockwise direction, and the right side cam in a counterclockwise direction.

CAUTION

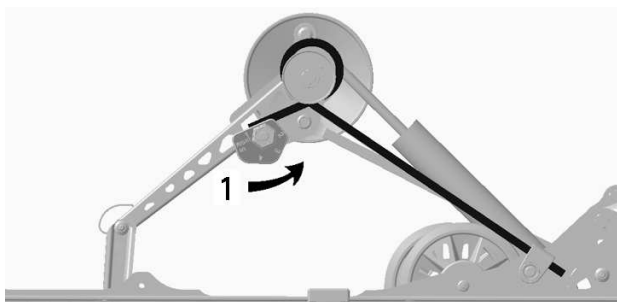
Never set preload cams directly from position 5 to 1 or directly from position 1 to 5.

The adjustment cams have 5 different settings, 1 being the softest.



TYPICAL — LH SIDE

1. Adjust spring preload

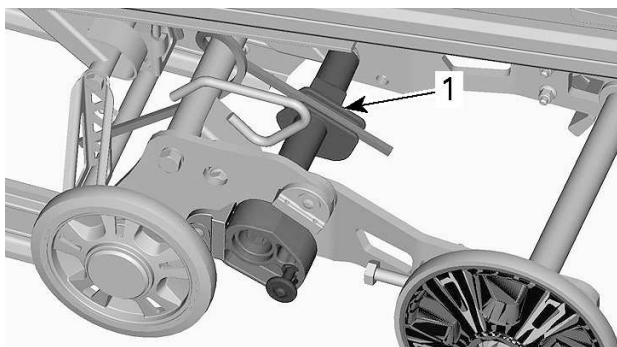


TYPICAL — RH SIDE

1. Adjust spring preload

Rear Suspension Extension Spring Preload (SC-5U)

Adjust by turning the preload cam.



1. Preload cam

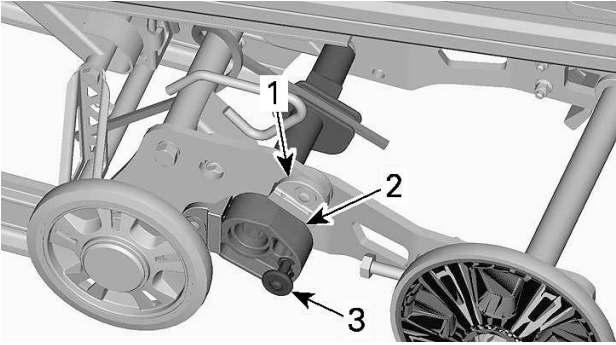
ACTION	RESULT
Increasing preload	More track surface on the ground
	Less extension lift
Decreasing preload	Better reverse capability especially in deep snow

	More extension lift
--	---------------------

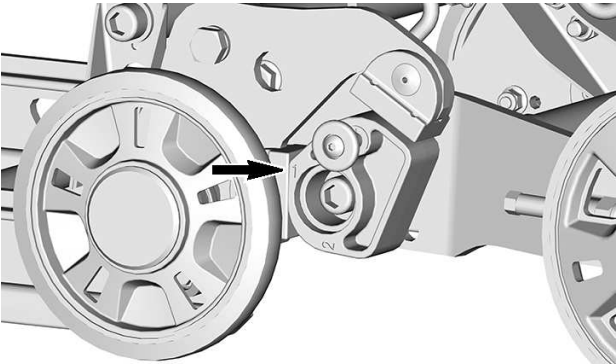
Rear Suspension Extension Stabilizer Cam

To change stabilizer cam setting, pull lock off, then turn cam.

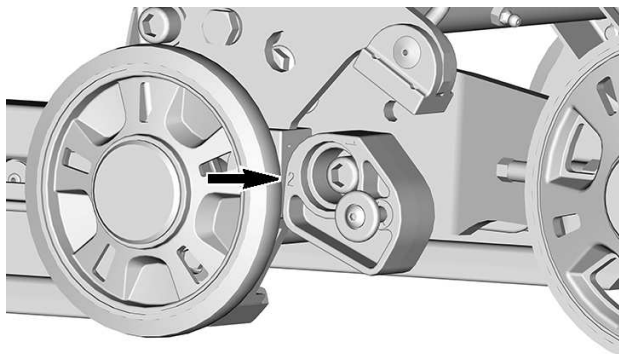
Ensure the lock is fully pushed-in when locked.



1. Stop block
2. Stabilizer cam
3. Lock



POSITION 1

**POSITION 2**

Cam setting	Result
Away from upper stop block (Position 2)	Allows free movement of the suspension extension on its entire stroke
	General use
	Good reverse capability
Leaning on both stop blocks (Position 1)	Locks the suspension extension in line with the suspension rails
	Better traction, full track contact surface
	Better towing capability

Adjustment Tips According to Vehicle Behavior

Problem	Corrective measures
Front suspension darting	Check ski alignment. – Reduce front suspension spring preload. – Increase center spring preload. – Reduce rear spring preload.
Steering feels too heavy at steady speeds	– Reduce front suspension spring preload. – Increase center spring preload.
Steering feels too heavy during acceleration	– Set coupling blocks to a lower position. – Reduce rear spring preload. – Lengthen limiter strap.
Too much ski lift during cornering or acceleration	– Set coupling blocks to a higher position. – Shorten limiter strap. – Increase rear spring preload.
Rear of snowmobile seems too stiff	– Reduce rear spring preload. – Reduce compression damping adjustment if equipped
Rear of snowmobile seems too soft	– Increase rear spring preload.
Rear suspension is frequently bottoming	– Increase compression damping adjustment if equipped. – Increase rear spring preload. – Increase center spring preload. – Lengthen limiter strap. – Increase compression damping adjustment if equipped.
Snowmobile seems to pivot around its center	– Reduce center spring preload. – Increase rear spring preload.

Problem	Corrective measures
	<ul style="list-style-type: none">- Increase front suspension spring preload.- Shorten limiter strap.
Track spins too much at start	<ul style="list-style-type: none">- Set coupling blocks to a lower position.- Lengthen limiter strap.
Ski diving in deep snow	<ul style="list-style-type: none">- Install ski tip enlarger.

MAINTENANCE

MAINTENANCE SCHEDULE

Maintenance is very important for keeping your vehicle in safe operating condition.

The maintenance schedule does not exempt the pre-ride inspection.

 **WARNING**

Failure to properly maintain the vehicle according to the maintenance schedule and procedures can make it unsafe to operate.

EPA Regulation - Canadian and USA Vehicles

A repair shop or person of the owner's choosing may maintain, replace, or repair emission control devices and systems. These instructions do not require components or service by BRP or authorized BRP snowmobile dealers.

Although an authorized BRP snowmobile dealer has an in-depth technical knowledge and tools to service your vehicle, the emission-related warranty is not conditioned on the use of an authorized BRP snowmobile dealer or any other establishment with which BRP has a commercial relationship.

Proper maintenance is the owner's responsibility. A warranty claim may be denied if, among other things, the owner or operator caused the problem through improper maintenance or use.

For emission-related warranty claims, BRP is limiting the diagnosis and repair of emission-related parts to the authorized BRP snowmobile dealers. For more information, please refer to the *US EPA Emissions PERFORMANCE WARRANTY* contained in the *warranty* section.

You must follow the instructions for fuel requirements in the fueling section of this manual. Even if gasoline containing greater than ten volume percent ethanol is readily available, the US EPA issued a prohibition against the use of gasoline containing greater than 10 vol% ethanol that applies to this vehicle. The use of gasoline containing greater than 10 vol% ethanol with this engine may harm the emission control system.

**Every Year at preseason or 3 000 km (2,000 mi)
(Whichever Comes First)**

Perform pre-ride inspection

Check fault codes

**Every Year at preseason or 3 000 km (2,000 mi)
(Whichever Comes First)**

Charge battery

Adjust drive chain

Adjust and align track

Inspect brake hose, pads and disk

Check coolant density

Inspect drive belt

Visually inspect and clean drive pulley

Inspect and clean driven pulley

Lubricate rear suspension. Lubricate whenever the vehicle is used in wet conditions (rain, puddles)

Inspect exhaust system and check for leaks

Tighten exhaust manifold screws to specified torque

Inspect fuel lines, oil lines and connections

Inspect front suspension

Inspect rear suspension (including stopper straps and slider shoes)

Inspect tie-rod ends and ski alignment

Adjust headlight beam aiming

Every 2 Years or 6 000 km (4,000 mi) (Whichever Comes First)

Replace spark plugs (600 EFI)

Replace brake fluid

Every 2 Years or 6 000 km (4,000 mi) (Whichever Comes First)

Inspect throttle cable

Clean and lubricate rewind starter (on applicable models)

Replace chaincase oil

Inspect engine rubber mounts

Every 3 Years Or 10 000 km (6,000 mi) (Whichever Comes First)

Replace spark plugs (E-TEC)

Inspect oil injection pump strainer and clean if needed

Clean and inspect 3D RAVE valves. If oil is present in valve base, replace seal (E-TEC).

Every 5 Years

Replace engine coolant

Replace in-line fuel filter

MAINTENANCE PROCEDURES

This section includes instructions for basic maintenance procedures.

 **WARNING**

Turn off the engine, remove tether cord cap and follow these maintenance procedures when performing maintenance. If you do not follow proper maintenance procedures you can be injured by hot parts, moving parts, electricity, chemicals or other hazards.

 **WARNING**

Should removal of a locking device be required (e.g. lock tabs, self-locking fasteners, etc.) when undergoing disassembly/assembly, always replace with a new one.

Engine Coolant

 **WARNING**

Never open coolant tank cap when engine is hot.

Engine Coolant Level Verification

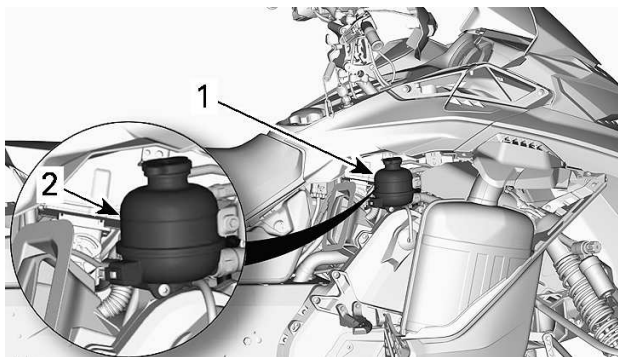
Open the RH side panel, see *Body and Seat*.

Check coolant level at room temperature. Liquid should be at cold level line of coolant tank.

NOTE:

When checking level at low temperature it may be slightly lower than the mark.

If additional coolant is necessary or if entire system has to be refilled, refer to an authorized BRP snowmobile dealer, repair shop or person of your own choosing.



1. Coolant reservoir

2. COLD line

Recommended Engine Coolant

RECOMMENDED COOLANT

XPS Extended life pre-mixed coolant

IF THE RECOMMENDED XPS COOLANT IS NOT AVAILABLE

Distilled water and antifreeze solution (50% distilled water, 50% antifreeze)

NOTICE

Always use ethylene-glycol antifreeze containing corrosion inhibitors specifically for internal combustion aluminum engines.

Exhaust System

Exhaust System Verification

The muffler tail pipe should be centered with the exit hole in the bottom pan. Exhaust system must be free of rust or leaks. Make sure that all parts are securely in place.

Check retaining springs and heat shields condition and replace if necessary.

The exhaust system is designed to reduce noise and to improve the total performance of the engine. Modification may be in violation of local laws.

NOTICE

If any exhaust system component is removed, modified or damaged, severe engine damage may result.

Spark Plugs

Spark plugs inspection or replacement may be performed by an authorized BRP snowmobile dealer, repair shop, or person of your own choosing. Spark plugs inspection or replacement requires an in-depth technical knowledge. Though not required, it is recommended that an authorized BRP snowmobile dealer performs spark plugs inspection or replacement.

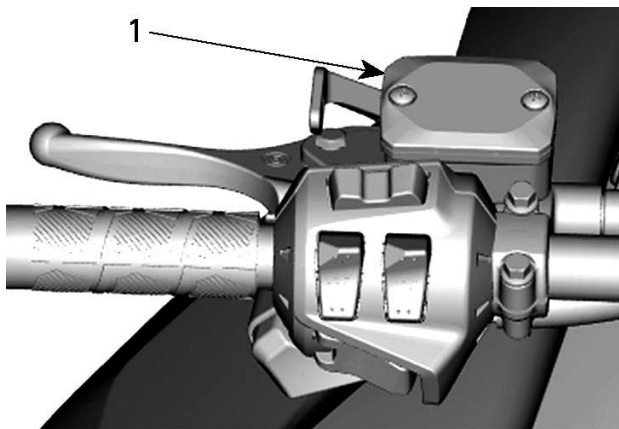
Brake Fluid

Brake Fluid Level Verification

NOTICE

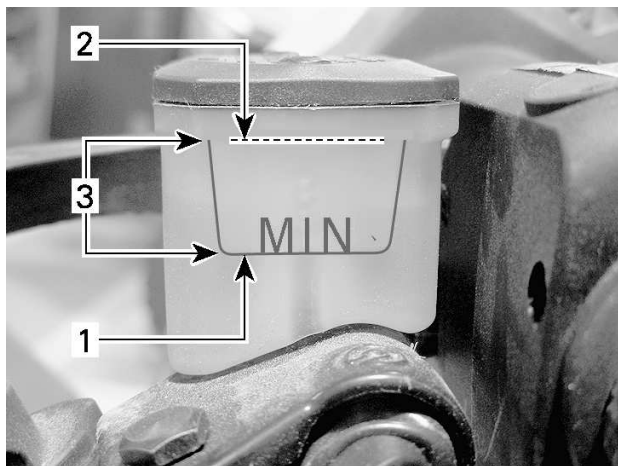
Vehicle must be on a level surface before checking any fluid levels.

Check brake fluid (DOT 4) in reservoir for proper level. Add fluid (DOT 4) as required.



TYPICAL

1. Brake fluid reservoir

**TYPICAL**

1. Minimum
2. Maximum
3. Operating range

⚠ CAUTION

Avoid getting brake fluid on skin or eyes - it may cause severe burns. In case of contact skin, wash thoroughly. In case of contact with the eyes, immediately rinse with plenty of water for at least 10 minutes and then consult a doctor immediately.

Recommended Fluid

Use only DOT 4 brake fluid from a sealed container. An opened container may be contaminated or may have absorbed moisture from the air.

⚠ WARNING

Use only DOT 4 brake fluid from a sealed container. To avoid serious damage to the braking system, do not use fluids other than the recommended one, nor mix different fluids for topping up.

NOTICE

Brake fluid can damage painted and plastic parts. Handle with care. Rinse thoroughly in case of spillage.

Chaincase Oil

Recommended Chaincase Oil

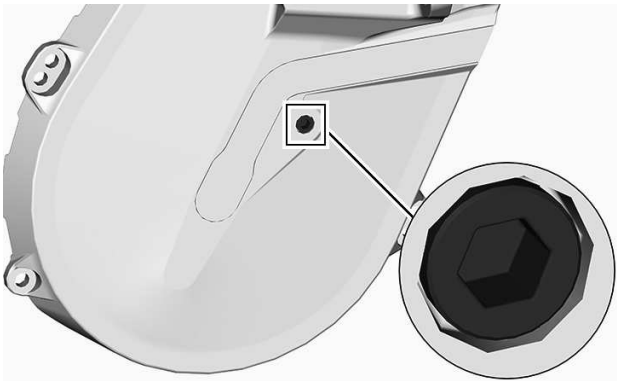
Recommended Chaincase Oil
XPS Synthetic chaincase oil
Alternative or if not available
75W140 gear oil that meets the API GL-5 specification

NOTICE

If the recommended XPS chaincase oil is not available, use a 75W140 gear oil that meets the API GL-5 specification. The chaincase of this snowmobile has been developed and validated using the XPS™ Synthetic chaincase oil. BRP strongly recommends the use of its XPS Synthetic chaincase oil at all times. Damages caused by oil which is not suitable for the chaincase will not be covered by the BRP limited warranty.

Chaincase Oil Level Verification

With the vehicle on a level surface, check the oil level by removing the check plug.



CHECK PLUG

Oil level must reach the threaded hole.

If level is correct, reinstall check plug and tighten to the specified torque.

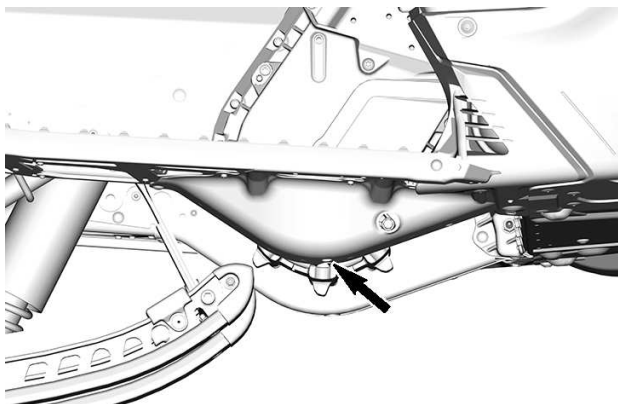
Tightening Torque	
Check plug	$6 \pm 1 \text{ Nm}$ ($53 \pm 9 \text{ lbf-in}$)

If level is insufficient, refer to *Chaincase Filling Procedure*.

Chaincase Oil Replacement

Chaincase Oil Draining

1. Place the vehicle on a level surface.
2. Place a drain pan under gearbox drain plug area.
3. Remove filler cap.
4. Remove the drain plug located at the bottom of gearbox.

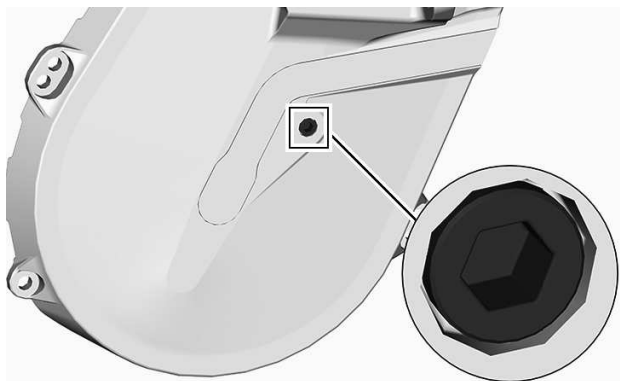


5. Wait a while to allow all oil to drain out of gearbox.
6. Install drain plug and tighten to specification.

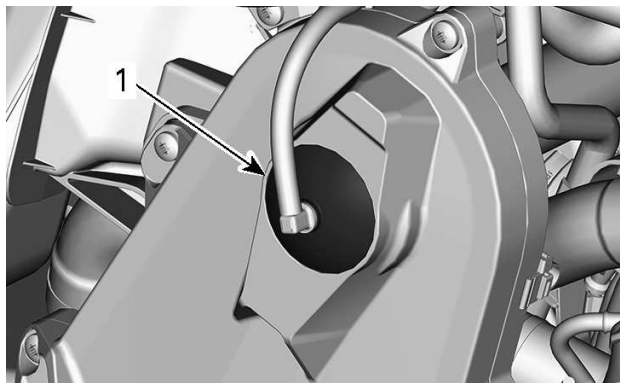
tightening torque	
Gearbox drain plug	6 ± 1 Nm (53 ± 9 lbf-in)

Chaincase Filling Procedure

1. Open the RH side panel. Refer to *Equipment*.
2. Remove the check plug.

**CHECK PLUG**

3. Remove the filler cap.

**TYPICAL - TOP OF CHAINCASE**

1. Filler cap
4. Pour recommended oil in the filler hole until oil comes out by the check plug hole.
5. Reinstall check plug and tighten to specification.

Tightening Torque	
Check plug	6 ± 1 Nm (53 ± 9 lbf-in)

Reinstall the filler cap.

Gearbox Oil

Recommended Gearbox Oil

XPS RECOMMENDED Chaincase Oil
XPS™ Synchronmesh Transmission Synthetic Oil
IF THE RECOMMENDED XPS OIL IS NOT AVAILABLE
Use a 75W140 gear oil that meets the API GL-5 specification

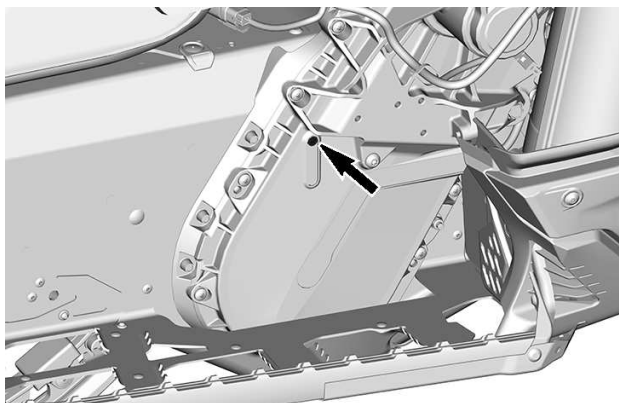
NOTICE

The gearbox of this snowmobile has been developed and validated using the XPS synchronmesh transmission synthetic oil. BRP strongly recommends the use of its synchronmesh transmission synthetic oil at all times. Damages caused by oil which is not suitable for the gearbox will not be covered by the BRP limited warranty.

Gearbox Oil Level

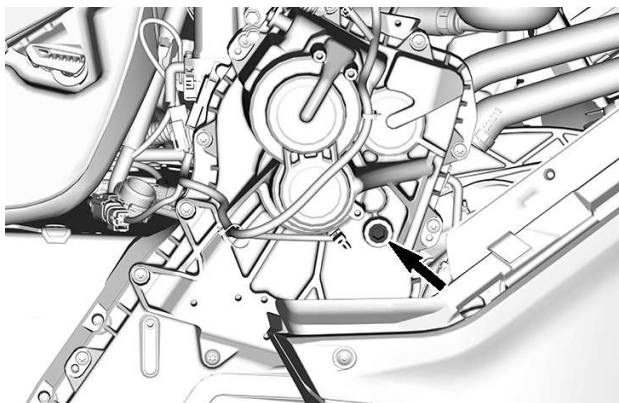
With the vehicle on a level surface, check the oil level by removing the check plug on the left side of gearbox.

Oil level must reach the threaded hole's lower edge.

**CHECK PLUG**

To add oil, proceed as follows:

1. Remove the filler plug.

**FILLER PLUG**

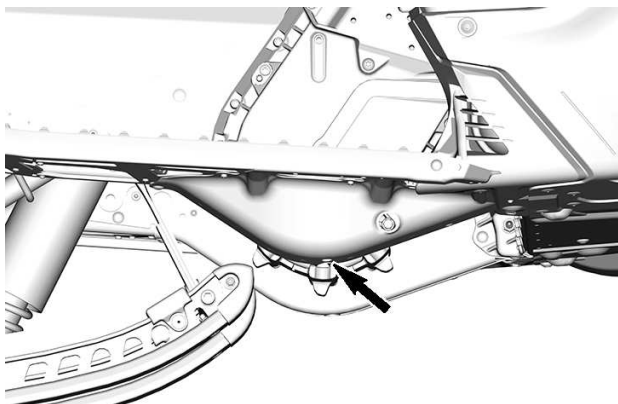
2. Pour recommended oil in gearbox by the filler hole until oil comes out by the check plug hole.
3. Reinstall check and filler plug and tighten to specifications.

tightening Torque	
Check plug	6 ± 1 Nm (53 ± 9 lbf-in)
Filler plug	8 ± 1 Nm (71 ± 9 lbf-in)

Gearbox Oil Replacement

Gearbox Oil Draining

1. Place the vehicle on a level surface.
2. Place a drain pan under gearbox drain plug area.
3. Remove filler cap.
4. Remove the drain plug located at the bottom of gearbox.



5. Wait a while to allow all oil to drain out of gearbox.
6. Install drain plug and tighten to specification.

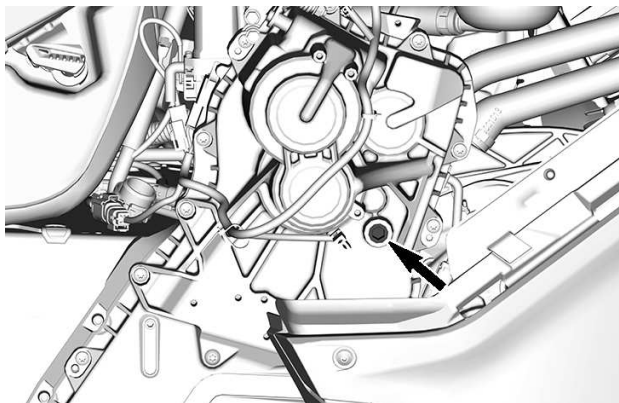
Tightening Torque	
Gearbox drain plug	6 ± 1 Nm (53 ± 9 lbf-in)

Gearbox Oil Filling

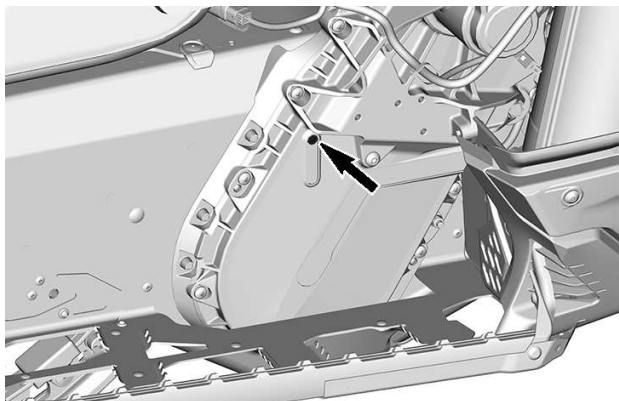
NOTE:

Vehicle must be on a level surface.

1. Remove the filler plug.
2. Remove oil level check plug.



FILLER PLUG



CHECK PLUG

3. Pour recommended oil into gearbox through the filler hole.

NOTE:

Oil level is correct when it just begins to come out of the check plug orifice.

4. Reinstall check plug and tighten to specification.

tightening torque	
Oil level check plug	6 ± 1 Nm (53 ± 9 lbf-in)

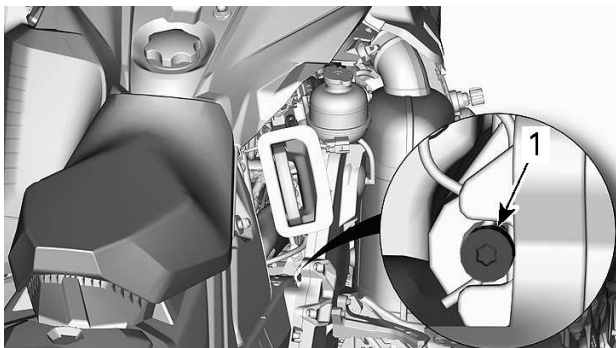
Drive Chain

Access to Chaincase

Open RH side panel, refer to *Equipment*.

Drive Chain Adjustment

Using the Torx end of the driven pulley expander, GENTLY turn tensioner clockwise to eliminate the play.



TYPICAL

Do not force the tensioner in.

NOTE:

Do not remove the hair cotter pin.

NOTICE

Overtightening the drive chain could result in severe damage to the chaincase components.

Drive Belt

Drive Belt Inspection

Inspect belt for cracks, fraying or abnormal wear (uneven wear, wear on one side, missing cogs, cracked fabric). If abnormal wear is noted, probable cause could be pulley misalignment, excessive RPM with frozen track, fast starts without warm-up period, burred or rusty sheave, oil on belt or distorted spare belt. Contact an authorized BRP snowmobile dealer.

Drive Belt Replacement

Drive Belt Removal

1. Remove tether cord cap from engine cut-off switch.
2. Remove drive belt guard, refer to *Controls, Instruments and Equipment*.
3. Insert the driven pulley expander provided in the threaded hole on the adjuster hub as shown.



TYPICAL - PULLEY EXPANDER INSTALLED ON ADJUSTER HUB

4. Open the driven pulley by screwing the tool in.

5. Remove the drive belt by slipping it over the top of the driven pulley, then over the drive pulley.

Drive Belt Installation

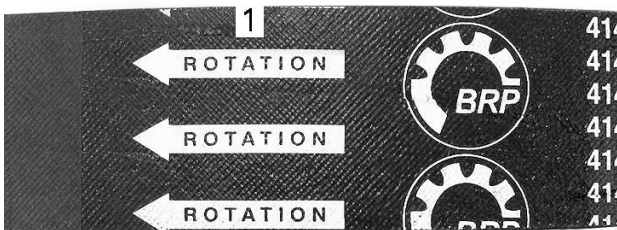
1. If necessary, open the driven pulley, refer to *Drive Belt Removal* above.
2. Slip the belt over the drive pulley, then over the driven pulley.

NOTICE

Do not force or use tools to pry the belt into place, as this could cut or break the cords in the belt.

NOTE:

The maximum drive belt life span is obtained when belt is installed with arrows in the direction of rotation.



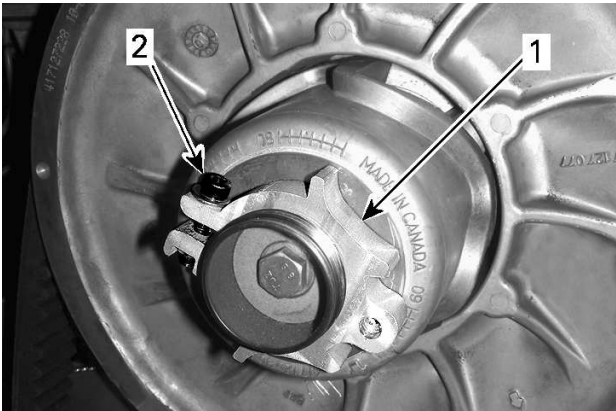
1. To be pointed in the direction of rotation
3. Unscrew and remove the driven pulley expander from the pulley.
4. Rotate the driven pulley several times to properly set the belt between the sheaves.
5. If a new belt was installed, an adjustment will be required for the proper belt height. Refer to *drive belt height adjustment* below.
6. Install belt guard, refer to *Controls, Instruments and Equipment*.
7. Close side panel, refer to *Controls, Instruments and Equipment*.

Drive Belt Height Adjustment

The drive belt height must be checked every time a new drive belt is installed and as part of the pre-ride inspection.

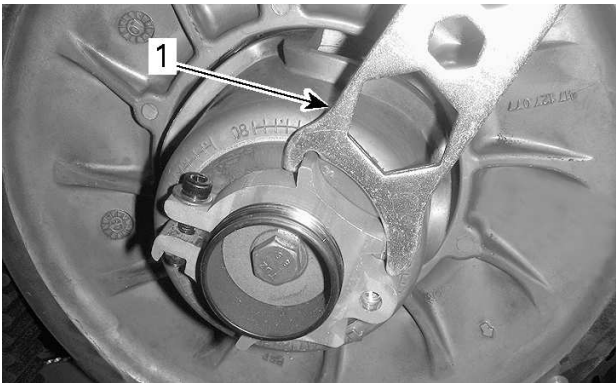
To adjust the drive belt height, proceed as follows:

1. Remove tether cord cap from engine cut-off switch.
2. Remove drive belt guard.
3. Loosen the clamping bolt.



- 1. Adjuster hub
- 2. Clamping bolt

- 4. Using the suspension adjustment tool provided, turn the ring 1/4 turn at a time then rotate the driven pulley to properly set the drive belt between the pulley sheaves.



- 1. Suspension adjustment tool

NOTE:
The adjustment ring has left hand treads.

600 EFI

Repeat step 4 until the drive belt outer surface is even with the driven pulley edge.

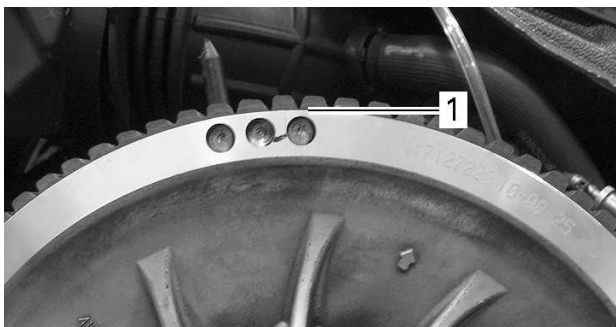


600 EFI - PRELIMINARY SETTING

1. Drive belt outer surface is even with the driven pulley edge

600R E-TEC

Repeat step 4 until the lowest portion of the cogs on the external surface of drive belt is even with the driven pulley edge.



TYPICAL - PRELIMINARY SETTING

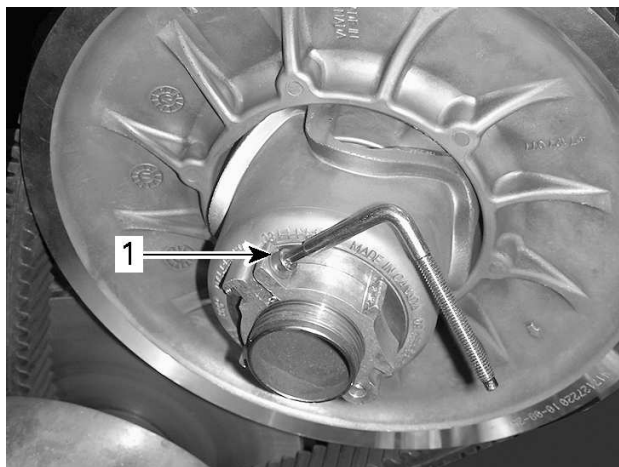
1. Lowest portion of cogs even with driven pulley external edge

NOTE:

Turning the ring counterclockwise lowers the drive belt in the pulley.
Turning the ring clockwise raises the drive belt in the pulley.

5. Firmly tighten the clamping bolt. If possible, tighten to specification using a torque wrench.

TIGHTENING TORQUE	
Clamping bolt	5.5 ± 0.5 Nm (49 ± 4 lbf-in)



TYPICAL

1. Clamping bolt

6. Install drive belt guard.
7. Install side panel.

NOTE:

These settings are correct as a preliminary adjustment for most models. In some cases, when starting the engine, the vehicle could creep, indicating that the drive belt is too tight.

If the vehicle creeps, lower the drive belt height from the preliminary setting. Repeat procedure until creeping stops.

Reverse Activation

NOTE:

The reverse may not activate if the belt is positioned too high in the driven pulley. If reverse activation does not work properly, ensure the drive belt is properly adjusted. Adjust the drive belt lower in the driven pulley if needed.

Track

Track Condition

 **WARNING**

Remove tether cord cap from engine cut-off switch before performing any maintenance or adjustment, unless otherwise specified. Vehicle must be parked in a safe place, away from the trail.

Remove tether cord cap from engine cut-off switch.

Lift the rear of the snowmobile and support it with a wide-base snowmobile mechanical stand with a rear deflector panel. With the engine off, rotate the track by hand, and inspect condition. If worn or cut, or if track fibers are exposed, or if missing or defective inserts or guides are noted; contact an authorized BRP snowmobile dealer.

Snowmobiles Equipped with Traction Enhancing Products

If your snowmobile is equipped with a BRP approved studded track, **PROCEED WITH A VISUAL INSPECTION OF YOUR TRACK BEFORE EACH USE.**

Look for any defects, such as:

- Perforations in the track
- Tears in the track (particularly around traction holes on studded tracks)
- Lugs that are broken or torn off, exposing portions of rods
- Delamination of the rubber
- Broken rods
- Broken studs (studded tracks)
- Bent studs (studded tracks)
- Missing studs
- Studs that are torn off the track
- Missing track guide(s)
- Also, ensure that studs nut are tighten to the recommended torque.

On approved studded tracks, replace broken or damaged studs immediately. If your track shows signs of deterioration, it must be replaced immediately. When in doubt, ask your dealer.

 **WARNING**

Riding with a damaged track or studs could lead to a loss of control.

For complete information on traction enhancing products, refer to *TRACTION ENHANCING PRODUCTS* in *SAFETY INFORMATION* at the beginning of this Operator's Guide.

Track Tension and Alignment

NOTE:

Track tension and alignment are interrelated. Do not adjust one without the other.

 **WARNING**

To prevent serious injury to individuals near the snowmobile:

- **NEVER** stand behind or near a moving track.
- **Always** use a wide-base snowmobile stand with a rear deflector panel if it is necessary to rotate track.
- **When** the track is raised off the ground, only run it at the lowest possible speed.

Centrifugal force could cause debris, damaged or loose studs, pieces of torn track, or an entire severed track to be violently thrown backwards out of the tunnel with tremendous force, possibly resulting in the loss of a leg or other serious injury.

Track Tension Verification

NOTE:


Ride the snowmobile in snow about 15 to 20 minutes prior to adjusting track tension.

1. Remove tether cord cap from engine cut-off switch.
2. Lift rear of vehicle and support it off the ground.

 **CAUTION**

Use proper lifting techniques, notably using your legs force. Do not attempt to lift the rear of vehicle if it is above your limits.

3. Allow rear suspension to fully extend.
4. Prepare the tensiometer.

Service tool	
Tensiometer (P/N 414 348 200)	

1. Set the bottom O-ring as per the *Track Deflection* from the applicable vehicle in the *Technical Specifications* table.



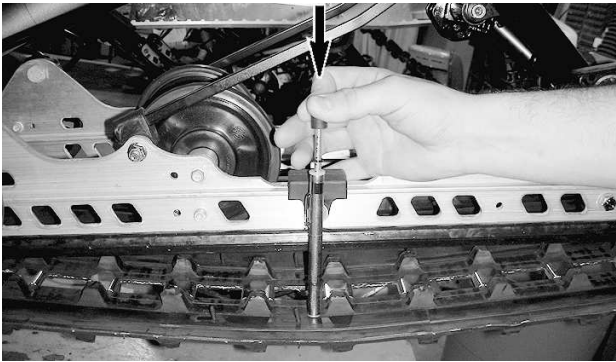
1. *Bottom O-ring*

2. Place the upper O-ring to 0 kgf (0 lbf).

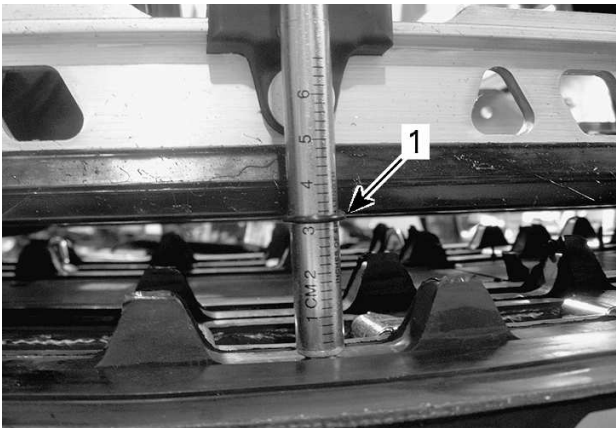


1. *Upper O-ring*

5. Position the tensiometer on track, halfway between front and rear idler wheels.
6. Push the tensiometer downwards until bottom O-ring (deflection set earlier) be aligned with the bottom of slider shoe.



TYPICAL



TYPICAL

1. Deflection O-ring aligned with slider shoe
7. Read load recorded by the upper O-ring on the tensiometer.



TYPICAL - LOAD READING

1. Upper O-ring
8. Load reading must be as per the track deflection in the *Technical Specifications*.
9. If load reading is not in accordance with the specification, adjust track tension. Refer to *Track tension adjustment*.

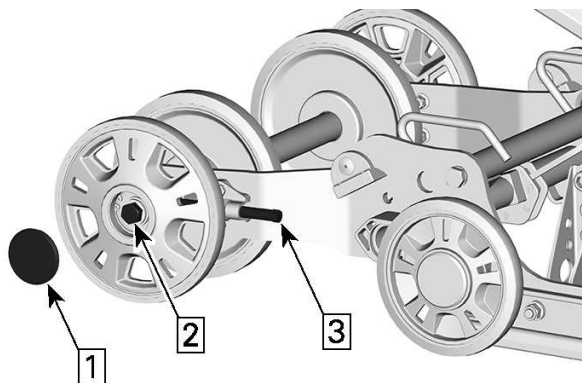
Track Tension Adjustment

1. Remove tether cord cap from engine cut-off switch.

⚠ CAUTION

Use proper lifting techniques, notably using your legs force. Do not attempt to lift the rear of vehicle if it is above your limits.

2. Remove wheel caps.
3. Loosen the rear axle screws on both sides.
4. Tighten or loosen both adjustment screws (equally) to increase or decrease track tension.



1. Remove cap
2. Loosen the axle screw or nut
3. Tighten or loosen adjustment screws

5. If correct tension is unattainable, contact an authorized BRP snowmobile dealer.
6. Retighten the rear axle fasteners to specification.

TIGHTENING TORQUE	
Rear idler wheel retaining screws	48 ± 6 Nm (35 ± 4 lbf-ft)

7. Check track alignment as described below.

Track Alignment

⚠ WARNING

Before checking track alignment, ensure that the track is free of all particles which could be thrown out while track is rotating. Keep hands, tools, feet and clothing clear of track. Always lift the snowmobile on a wide-base stand with a rear deflector panel. Ensure no one is standing in close proximity to the snowmobile, especially at the rear of the track. Never rotate track at high speed.

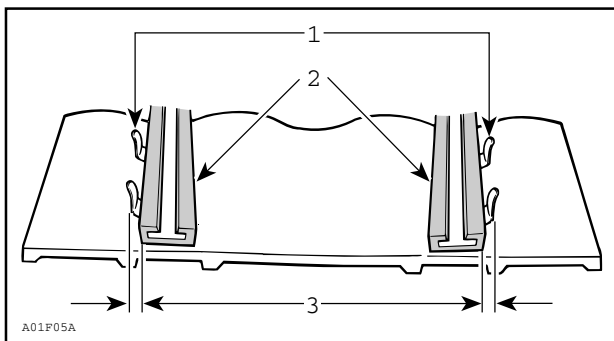
Centrifugal force could cause debris, damaged or loose studs, pieces of torn track, or an entire severed track to be violently thrown backwards out of the tunnel with tremendous force.

1. Lift rear of vehicle and support it off the ground.

⚠ CAUTION

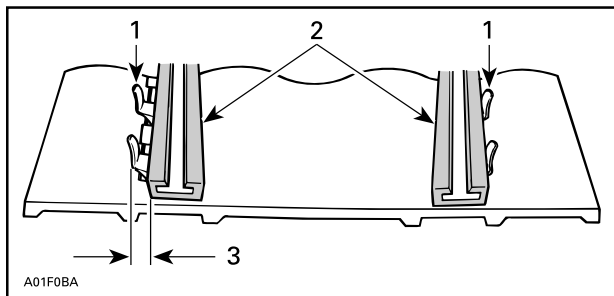
Use proper lifting techniques, notably using your legs force. Do not attempt to lift the rear of vehicle if it is above your limits.

2. Start engine and accelerate slightly so that track slowly turns. This must be done in a short period of time (15 to 20 seconds).
3. Check that the track is well centered; equal distance on both sides between edges of track guides and slider shoes.



1. *Guides*
2. *Slider shoes*
3. *Equal distance*

4. To correct track alignment:



1. Guides
2. Slider shoes
3. Tighten on this side

1. Stop engine.
2. Remove tether cord cap from engine cut-off switch.

⚠ WARNING

Remove tether cord cap from engine cut-off switch before performing any maintenance or adjustment, unless otherwise specified. Vehicle must be parked in a safe place, away from the trail.

3. Loosen the rear axle nut.
4. Tighten adjustment screw on side where the slider shoe is the farthest from the track insert guides.
5. Tighten the rear axle nut.

⚠ WARNING

Properly tighten wheel retaining bolt, otherwise wheel may come off and cause track to "lock".

6. Restart engine and rotate track slowly to recheck alignment.
7. Tighten the rear axle nut to specified torque.

TIGHTENING TORQUE	
Rear idler wheel screws (M8)	24.5 ± 3.5 Nm (18 ± 3 lbf-ft)
Rear idler wheel screws (M10)	48 ± 6 Nm (35 ± 4 lbf-ft)

8. Reposition snowmobile on the ground.

Suspension

Rear Suspension Condition

Visually inspect all suspension components including slider shoes, springs, wheels, etc.

NOTE:

During normal driving, snow will act as a lubricant and coolant for the slider shoes. Extensive riding on ice or sanded snow, will create excessive heat build-up and cause premature slider shoe wear.

Suspension Stopper Strap Condition

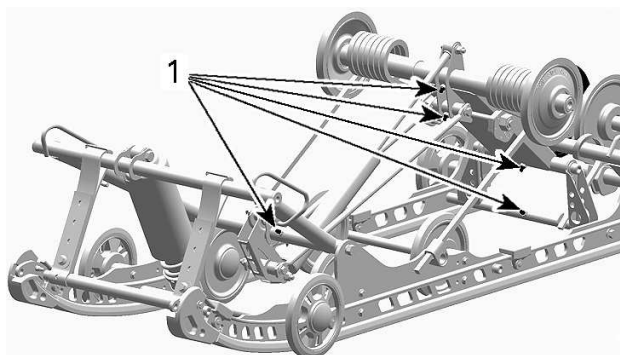
Inspect stopper straps for wear and cracks, bolt and nut for tightness. If loose inspect holes for deformation. Replace as required. Tighten nut to specification.

Tightening Torque	
Stopper strap nut	10 ± 1 Nm (89 ± 9 lbf-in)

Suspension Lubrication

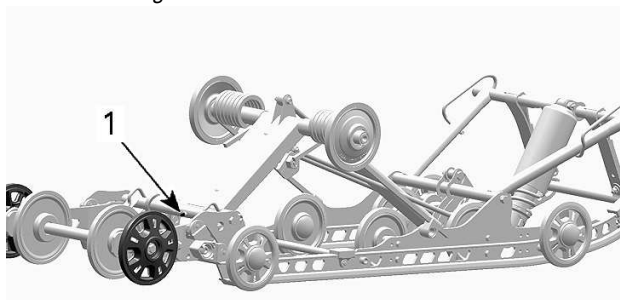
Lubricate the following suspension pivots at grease fittings. Refer to *Maintenance Schedule* for maintenance frequency.

SERVICE PRODUCT
XPS Synthetic suspension grease



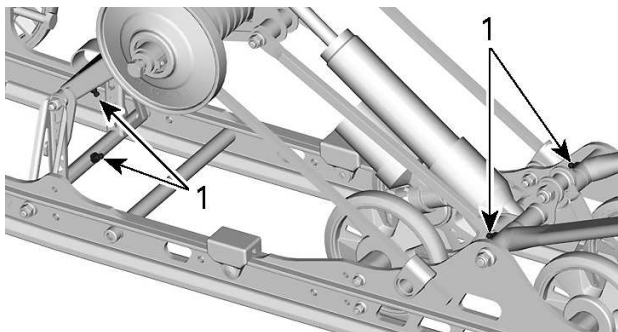
SC-5U

1. Grease fittings



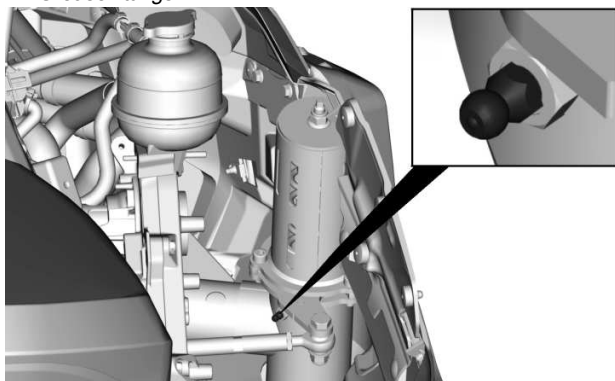
SC-5U

1. Grease fittings



CMOTION

1. Grease fittings



LTS SUSPENSION - RH SIDE SHOWN

Steering and Front Suspension Condition

Visually inspect steering and front suspension for tightness of components (steering arms, control arms and links, tie rods, ball joints, ski bolts, ski legs, etc.). If necessary, contact an authorized BRP snowmobile dealer.

Skis

Wear and Condition of Skis and Runners

Check the condition of the skis and ski runner carbides. If worn, contact an authorized BRP snowmobile dealer.

! WARNING

Excessively worn skis and/or ski runners will adversely affect snowmobile control.

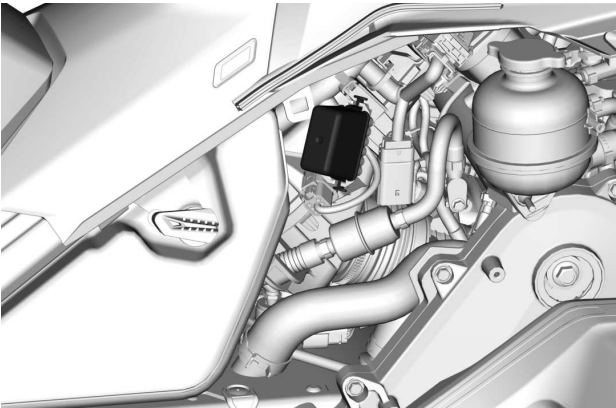
Fuses

Access to Fuse Block

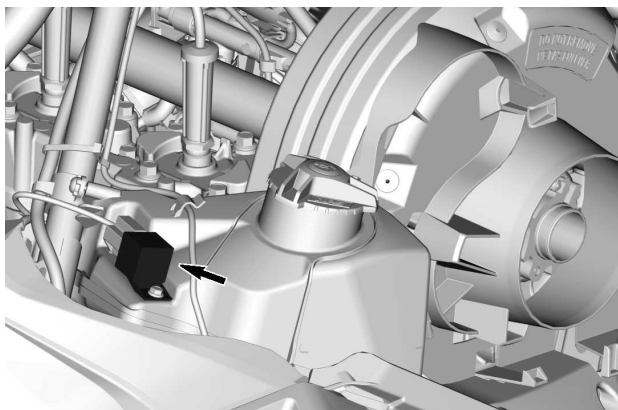
Open RH side panel, refer to *Body and Seat*.

Fuses Location

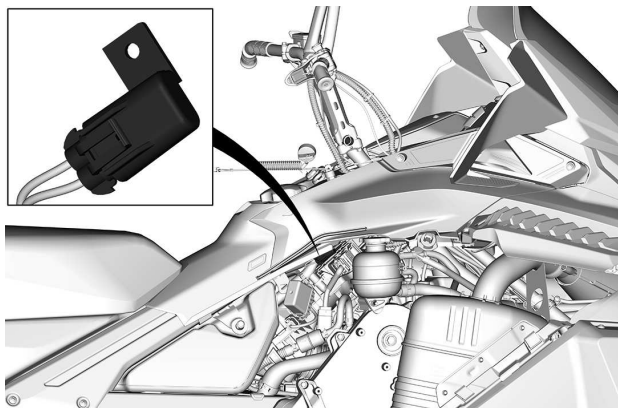
600 EFI Engine



FUSE BOX

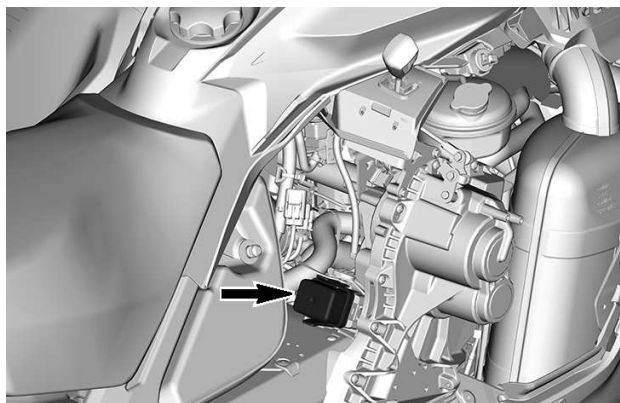


RADIATOR FAN RELAY



RADIATOR FAN FUSE

E-TEC Engine



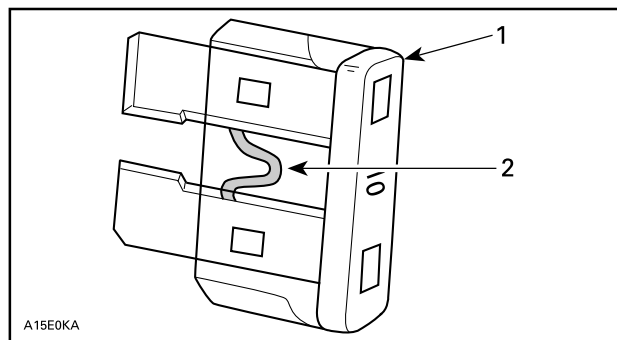
FUSE BOX

Refer to the *Technical Specifications* for fuse rate and configuration.

Fuse Inspection

Check fuse condition and replace it if necessary.

To remove fuse from holder, pull fuse out. Check if filament is melted.



A15E0KA

1. Fuse
2. Check if melted

⚠ WARNING

Do not use a higher rated fuse.

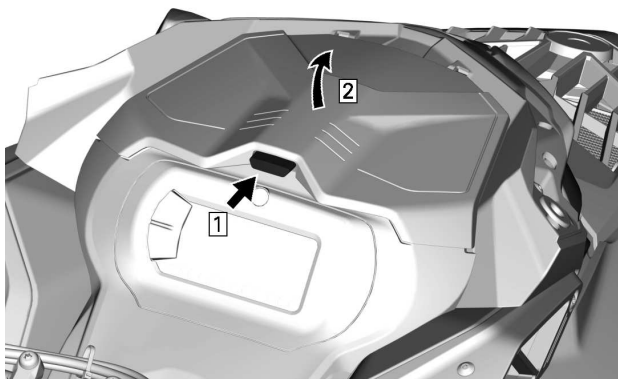
⚠ WARNING

If fuse has burnt out, source of malfunction should be determined and corrected before restarting. See an authorized BRP snowmobile dealer for servicing.

Headlights

Headlights Bulb Replacement

1. Remove the windshield.
2. Open the storage compartment.

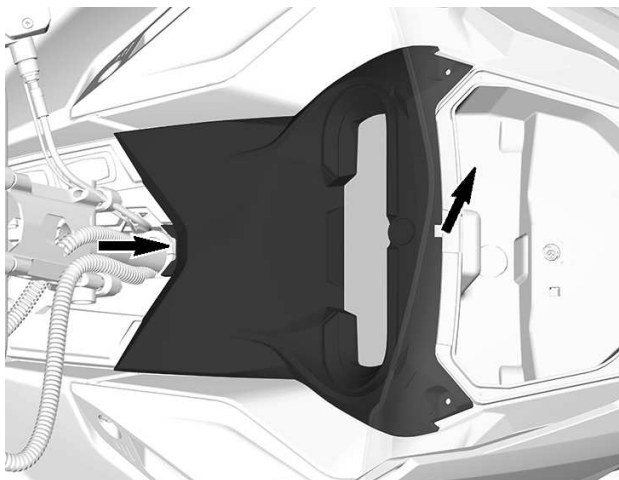


TYPICAL

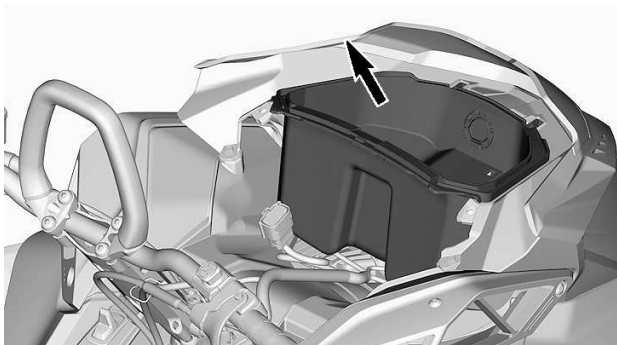
3. Remove the gauge support retaining screws.



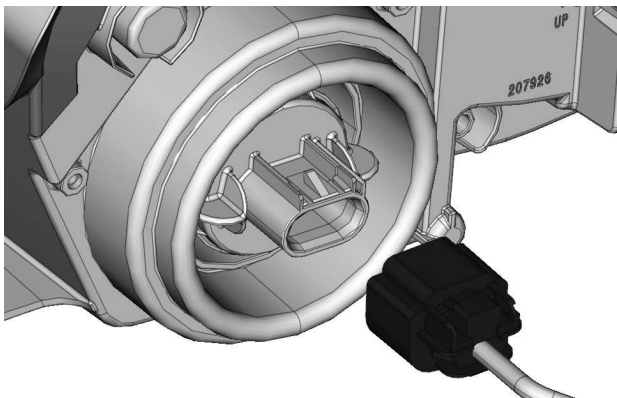
4. Lift the front of the gauge support, then slide it forward to remove it.



5. Set gauge support aside.
6. Remove the storage compartment.

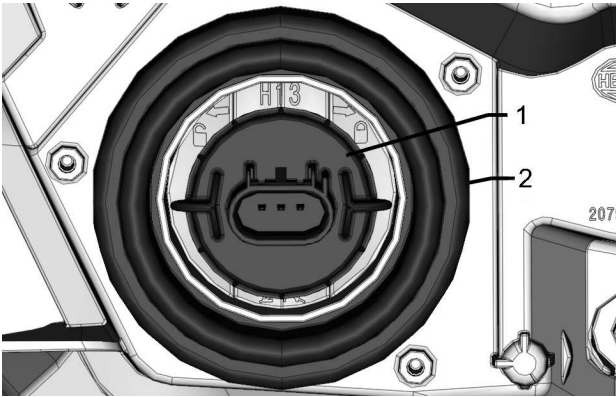


7. Disconnect 12V power outlet connectors to remove (if equipped).
8. Disconnect bulb connector.



9. Unlock bulb by turning it counterclockwise.
10. Pull bulb out.

NOTE:
Ensure bulb seal stays in place.



1. Bulb
2. Bulb seal

Install a new bulb using the reverse of the removal procedure.

NOTICE

Never touch glass portion of an halogen bulb with bare fingers, it shortens its operating life. If glass is touched, clean it with isopropyl alcohol which will not leave a film on the bulb.

Check headlights operation.

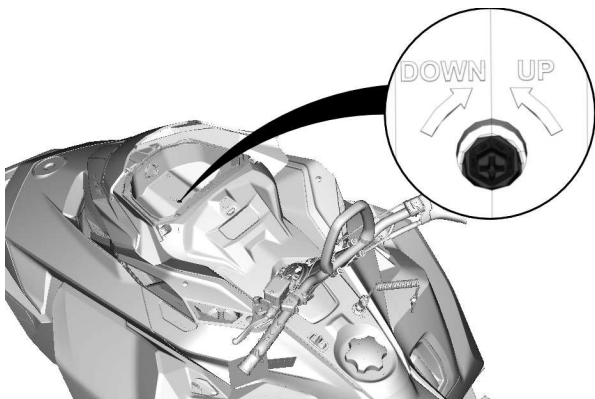
Headlights Beam Aiming

Open the storage compartment.



TYPICAL

Turn the adjustment screw to reach desired beam height.



Battery

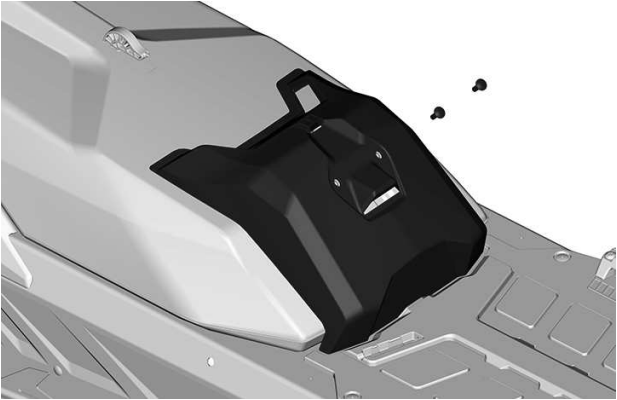
16 in. Wide Tunnel

Removing the Battery

NOTICE

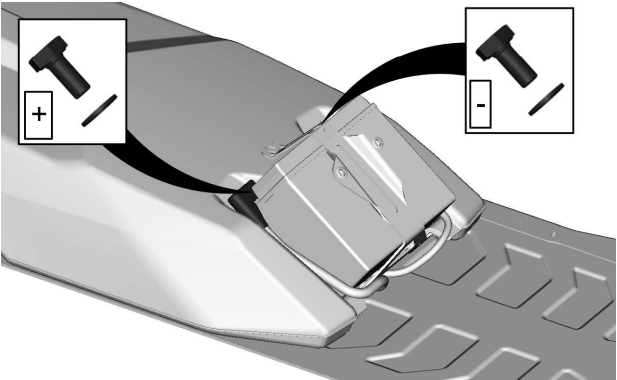
Battery BLACK (-) cable must always be disconnected first and connected last. Never charge or boost battery while installed on vehicle.

1. Remove the seat.
2. Remove the battery cover.

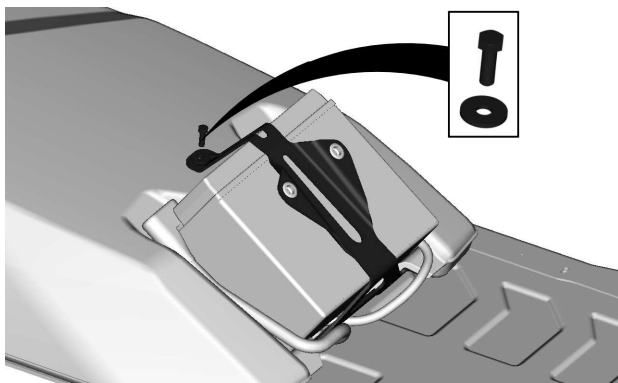


TYPICAL

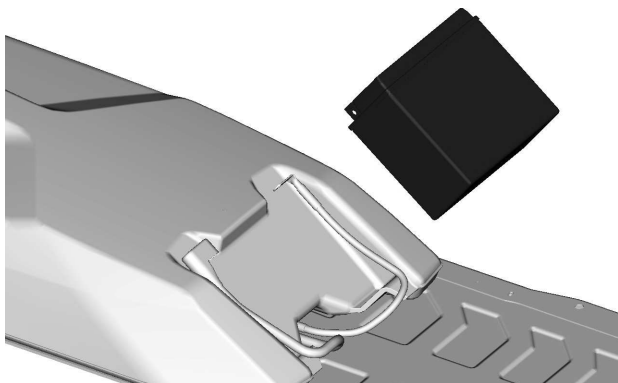
3. Disconnect the negative terminal first, then the positive terminal.



4. Remove the battery hold down bracket.



5. Remove the battery.



Installing the Battery

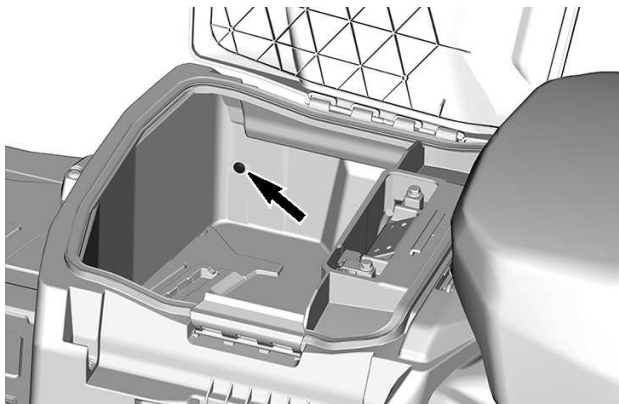
The installation is the reverse of the removal procedure. However, pay attention to the following details.

TIGHTENING TORQUE	
Battery terminals (positive and negative)	10 ± 2 Nm (89 ± 18 lbf-in)
Battery hold down bracket	5 ± 0.5 Nm (44 ± 4 lbf-in)
Battery cover retaining screws	1.5 ± 0.5 Nm (13 ± 4 lbf-in)

20" and 24" wide Tunnel

Removing the Battery

1. Remove the passenger seat and backrest, if equipped.
2. Open the cargo box, remove the battery cover and all mounting screws.

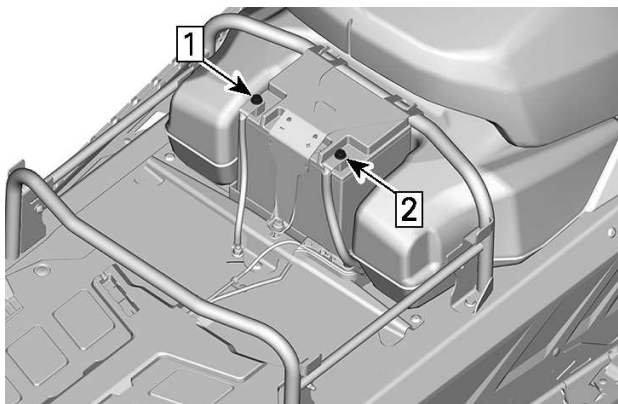


LH SIDE SCREW SHOWN

3. Remove the cargo box.

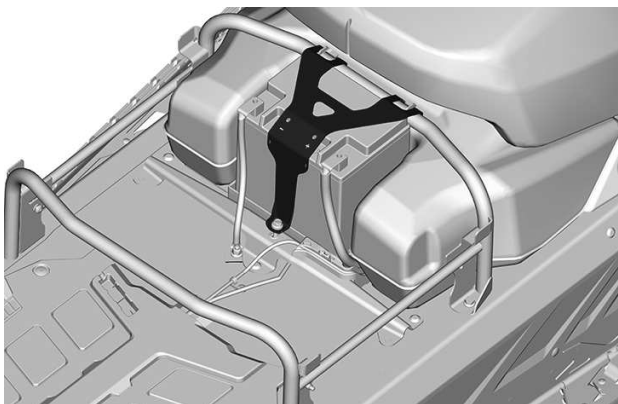


4. Disconnect the negative terminal first, then the positive terminal.

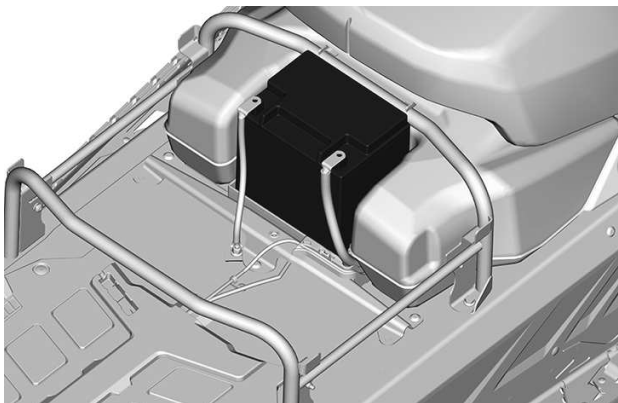


1. *Disconnect negative*
2. *Disconnect positive*

5. Remove the battery hold down bracket.



6. Remove the battery.



Installing the Battery

The installation is the reverse of the removal procedure. However, pay attention to the following details.

TIGHTENING TORQUE	
Battery terminals (positive and negative)	10 ± 2 Nm (89 ± 18 lbf-in)
Battery hold down bracket	5 ± 0.5 Nm (44 ± 4 lbf-in)
Battery cover retaining screws	5 ± 0.5 Nm (44 ± 4 lbf-in)

VEHICLE CARE

Post-Operation Care

Remove snow and ice from rear suspension, track, front suspension, steering mechanism and skis.

 **WARNING**

Make sure D.E.S.S. key is removed from D.E.S.S. post before standing in front the vehicle, getting close to the track or rear suspension components.

Always cover your snowmobile when leaving it outside overnight or during extended periods of inactivity. This will protect it from frost and snow as well as help retain its appearance.

Vehicle Cleaning and Protection

Wash snowmobile with water mixed with a mild detergent. Use only microfiber cloths or an equivalent.

NOTICE

Never use a high pressure washer to clean the vehicle. USE LOW PRESSURE ONLY (EX: garden hose).

NOTICE

Never use XPS Brake and Parts Cleaner or any petroleum based cleaners on plastic parts.

Non Compatible Cleaning Products

material type	non-compatible cleaning Products
All plastics, vinyls, painted steel and aluminium.	BRAKE AND PARTS CLEANER OR ANY PETROLEUM BASE CLEANING PRODUCTS

Compatible Cleaning Products

material type	cleaning Product
All plastics, vinyls, painted steel and aluminium.	Soapy water XPS Spray Cleaner and Polish XPS All Purpose Cleaner

VEHICLE CARE

For more information and products, Visit the XPS Products website at www.xpslubricants.com

STORAGE

During summer, or when a snowmobile is not in use for more than three months, proper storage is necessary.

Storage
Clean the vehicle
Add fuel stabilizer to fuel following the product manufacturer recommendations. Run the engine after adding the product to the fuel
Lubricate engine. Refer to <i>Engine Storage Procedure</i> in this section.
Lubricate brake lever pivot
Lubricate rear suspension
Charge battery monthly to keep it fully charged during storage (if equipped)
Block muffler outlet with rags
Lift rear of vehicle until track is clear of the ground. Do not release track tension

CAUTION

Use appropriate lifting device or have assistance to share lifting stress. If a lifting device is not used, use proper lifting techniques, notably using your legs force. Do not attempt to lift the rear of vehicle if it is above your limits.

NOTICE

The snowmobile has to be stored in a cool and dry place and covered with an opaque but ventilated tarpaulin. This will prevent sun rays and grime from affecting plastic components and vehicle finish.

NOTICE

Fuel stabilizer should be added prior to engine lubrication to ensure carburetor protection against varnish deposits.

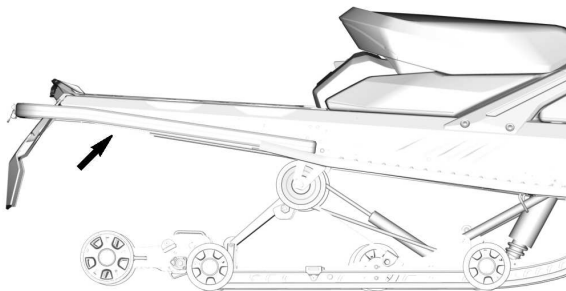
Engine Storage Procedure

The engine has to be properly lubricated at storage for internal parts protection.

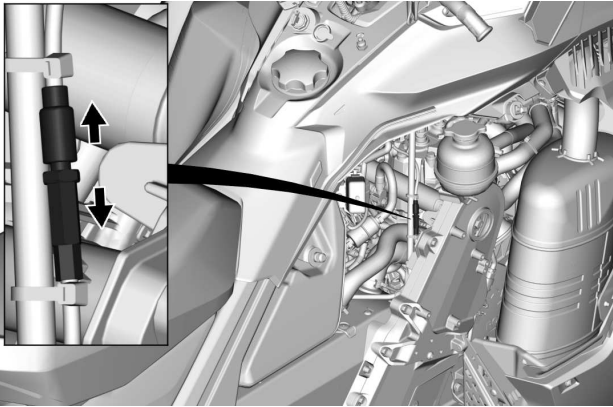
600 EFI Engine

1. Place the vehicle in a well ventilated area.
2. Open the RH side panel. Refer to *Controls, Instruments and Equipment*.
3. Add Fuel stabilizer to fuel tank. Follow the manufacturer's recommendations.
4. Start the engine and let idle until rear heat exchanger gets hot.

The rear heat exchanger can be reached from under the rear end of the chassis.



5. Pull on the oil pump cable - at the adjustment - until the exhaust gas turns to darker smoke.



6. Remove the spark plugs and spray storage oil for 5 seconds in each cylinder.
7. Spin the drive pulley for three complete revolutions by hand to distribute the storage oil to coat the cylinder walls.
8. Reinstall the spark plugs and tighten to specification.

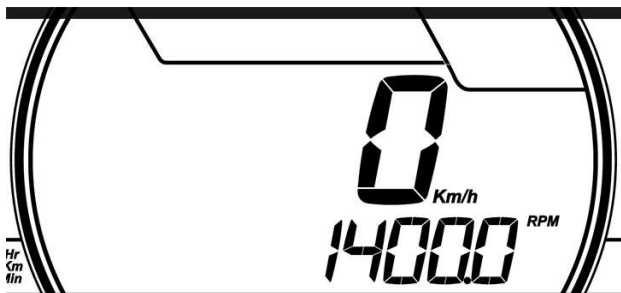
Tightening torque	
Spark plug	$28 \pm 2 \text{ Nm}$ ($21 \pm 1 \text{ lbf-ft}$)

E-TEC Engine - 4.5" and 7.2" Digital Display

Follow these simple steps.

To engage the procedure, do the following:

1. Place the vehicle in a well ventilated area.
2. Start the engine and let it run at idle speed until it reaches its operating temperature (watch the coolant temperature on the display or verify the rear heat exchanger becomes warm).
3. Push the SET (S) button to select odometer mode.

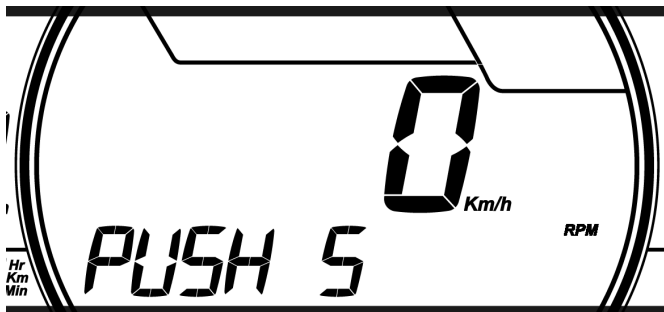


TYPICAL

NOTE:

The storage mode does not function in other modes (trip A, trip B and hr trip).

4. Repeatedly depress the HI/LOW beam switch rapidly, then, **while doing this**, press and hold the **SET button** until PUSH "S" appears on the display.



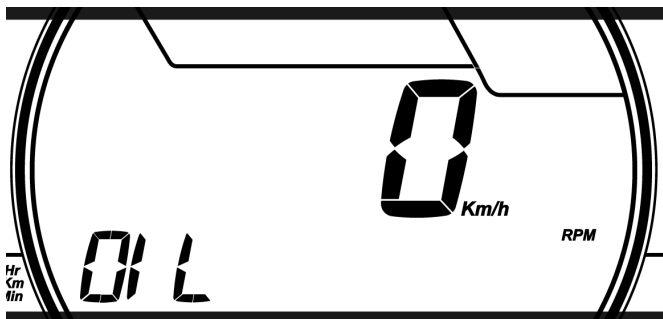
TYPICAL

5. Release all buttons when gauge displays **PUSH (S)** appears.
6. Again, press and hold the **SET (S)** button for 2 - 3 seconds.

NOTE:

The gauge will display **OIL** when the storage procedure is initiated.

7. When gauge displays **OIL**, release button and wait for the lubrication function to end.

**TYPICAL**

Do not touch anything during engine lubrication cycle.

The engine lubrication function takes approximately 1 minute. During this time the engine RPM will increase slightly to approximately 1600 RPM and the oil pump will "oil flood" the engine.

At the end of engine lubrication procedure, the ECM will turn the engine off.

Remove tether cord cap from engine cut-off switch.

NOTICE

Do not start the engine during storage period.

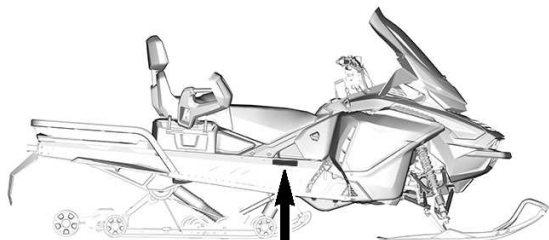
This page is intentionally blank

TECHNICAL INFORMATION

VEHICLE IDENTIFICATION

Vehicle Description Decal

Vehicle description decal is located on right hand side of tunnel.




TYPICAL

BOMBARDIER RECREATIONAL PRODUCTS Inc. Date <input type="text"/>	
VIN. / NIV. <input type="text"/>	<input type="text"/>
Description <input type="text"/>	Type: SNO/MNG
ASSEMBLED IN CANADA / ASSEMBLÉ AU CANADA	

516009002

VEHICLE ASSEMBLED IN CANADA

	BRP FINLAND OY, ISOAAVANTIE 7, 96320 ROVANIEMI, FINLAND
	<input type="text"/>
	Type: SNOWMOBILE MADE IN FINLAND

520001926

VEHICLE ASSEMBLED IN FINLAND

Identification Numbers

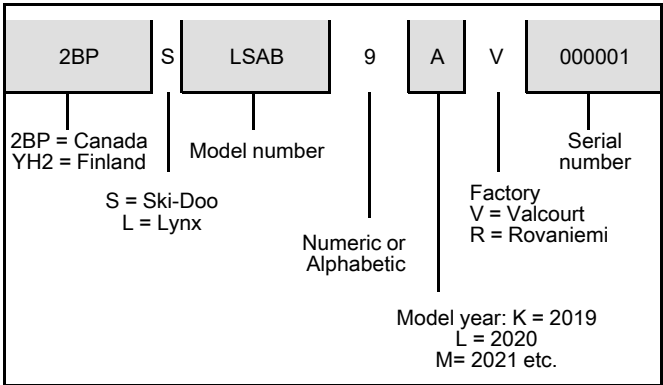
The main components of your snowmobile (engine and frame) are identified by different identification numbers. It may sometimes become necessary to locate these numbers for warranty purposes or to trace your snowmobile in the event of loss. These numbers are required by the authorized BRP snowmobile dealer to complete warranty claims properly. We strongly recommend that you take note of

all the identification numbers on your snowmobile and supply them to your insurance company.

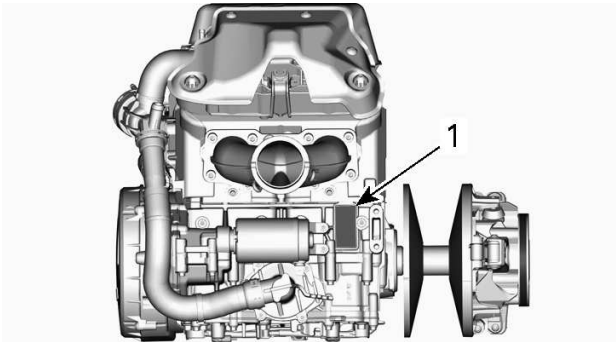
Vehicle Identification Number (VIN)

VIN is scribed on vehicle description decal. See above. It is also engraved on tunnel near vehicle description decal.

Model number and model year are part of the information found in the VIN. See illustration.



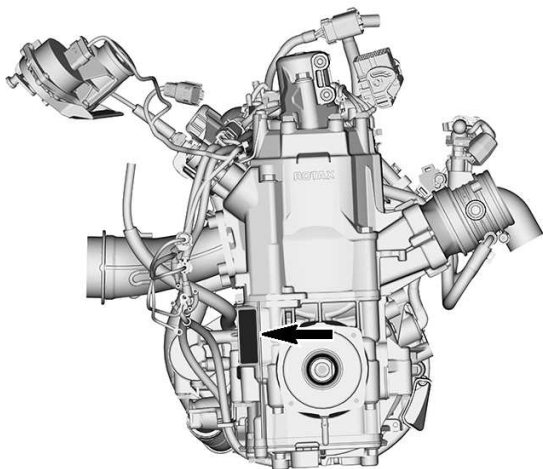
Engine Identification Number Location



1. Engine identification number

REGULATION (EU) 2016/1628 APPLICABLE FOR NON-ROAD MOBILE MACHINERIES

Vehicles who comply to Regulation (EU) 2016/1628 (NRMM) are identified on the engine.

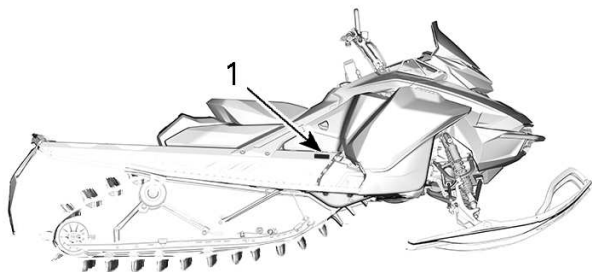


TYPICAL

10559		Rotax NRSC H CO2 g/kWh: XXXX
		# MXXXXXXX
		Prod. date: MM-YYYY
		Family type: XXXXXX
		e13 SMB/P V-####

TYPICAL - NRMM IDENTIFICATION LABEL

Depending on your particular vehicle configuration, an additional NRMM identification label may be installed on the tunnel, near the chaincase.



TYPICAL

1. NRMM label



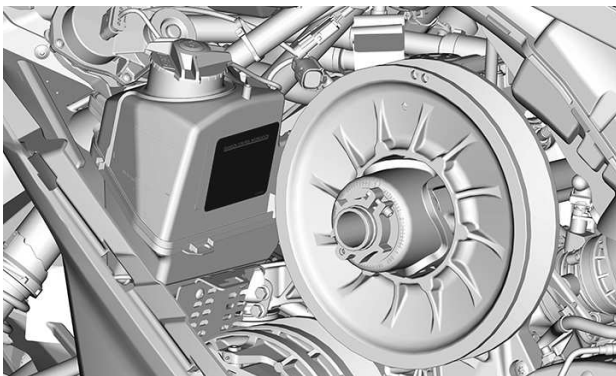
NRMM IDENTIFICATION ON VEHICLE

COMPLIANCE LABELS

EPA Compliance Label

	EMISSION CONTROL INFORMATION	
THIS VEHICLE IS CERTIFIED TO OPERATE ON UNLEADED GASOLINE AND MEETS XXXX U.S. EPA REGULATIONS FOR SNOWMOBILE SI ENGINES. 121		
ENGINE FAMILY	XXXXXXXXXXXXXX	FAMILLE DE MOTEUR
PERMEATION FAMILY	XXXXXXXXXXXXXX	FAMILLE DE PERMÉATION
FEL	XX g/kW-hr HC XXX g/kW-hr CO X.X g/ m ² / day	LIMITE DES ÉMISSIONS DES FAMILLES
ENGINE DISPLACEMENT	XXX cm ³	CYLINDRÉE
EXHAUST EMISSION CONTROL SYSTEM	XXXX	SYSTÈME DE CONTRÔLE DES ÉMISSIONS
RENSEIGNEMENTS SUR LE DISPOSITIF ANTIPOLLUTION		
CE VÉHICULE EST CERTIFIÉ POUR FONCTIONNER À L'ESSENCE SANS PLOMB ET IL RÉPOND AUX NORMES XXXX DE L'EPA DES É.-U. POUR LES MOTONEIGES À MOTEUR SI.		
SEE OPERATOR'S GUIDE FOR MAINTENANCE SPECIFICATIONS VOIR GUIDE DU CONDUCTEUR POUR LES SPÉCIFICATIONS D'ENTRETIENS		
BOMBARDIER RECREATIONAL PRODUCTS INC. 6865		

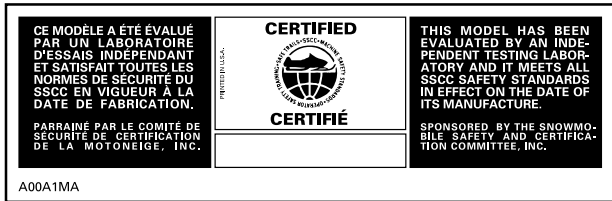
EPA COMPLIANCE LABEL



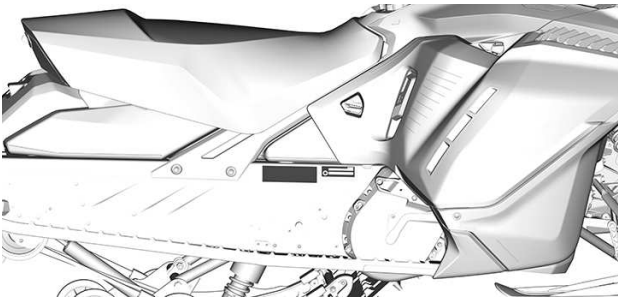
SSCC Label

Safety standards for snowmobiles have been adopted by the Snowmobile Safety and Certification Committee (SSCC) of which BRP is a proud participating member. Assurance that your snowmobile meets these standards is easily checked by locating the Certification Label on a right vertical portion of the vehicle.

The following label shows that an independent testing laboratory has verified compliance with the SSCC safety standards.



LABEL 2



NOISE EMISSION AND VIBRATION VALUES

MODEL		600 EFI	600R E-TEC	850 E-TEC
NOISE EMISSION AND VIBRATION VALUES¹				
Noise	Sound power level (L _{WA})	101 dB (Uncertainty (K _{wa}) 3 dB)	98.3 dB (Uncertainty (K _{wa}) 3 dB)	100 dB (Uncertainty (K _{wa}) 3 dB)
	Sound pressure (L _{pA})	83 dB (Uncertainty (K _{pA}) 3 dB)	86.2 dB (Uncertainty (K _{pA}) 3 dB)	86 dB (Uncertainty (K _{pA}) 3 dB)
Vibration	Hand-arm system	<2.5 m/s ²	3.11 m/s ²	<2.5 m/s ²
	Whole body at seat	<0.5 m/s ²	<0.5 m/s ²	<0.5 m/s ²
<p>1: Noise emission and Vibration values are measured in accordance with Annexes A and B of ISMA 1 regulation on a snow covered or grass surface in neutral or without belt.</p>				

EU DECLARATION OF CONFORMITY



565 de la Montagne Street
Valcourt (Québec) J0E 2L0
Canada
www.brp.com

EU Declaration of Conformity

Authorized Representative: BRP Europe N.V., Skaldenstraat 125, Gent, Belgium, 9042

This declaration of conformity is issued under the sole responsibility of the manufacturer.

The undersigned, representing the manufacturer, hereby declares that model year **2022 Snowmobiles** marked with the **CE** mark and a 17-character vehicle identification number (VIN) structured as **2BPSxxxxxNVxxxxxx** or **YH2SxxxxxNRxxxxxx** under commercial name **Ski-Doo** comply with all the relevant provisions of the following Directives and Regulations:

Machinery Directive 2006/42/EC as amended up to and including Reg. 2019/1243/EU	ISO 12100:2010
Non-Road Mobile Machinery (NRMM) Regulation (EU) 2016/1628 on gaseous pollutants	Category SMB, Stage V emissions limits
Electromagnetic Compatibility (EMC) Directive 2014/30/EU as amended up to and including Reg. (EU) 2018/1139	CISPR 12:2007/A1:2009 & IEC 61000-6-1:2005 or UN R10.04 or later version
Battery Directive 2006/66/EC as amended up to and including Dir. (EU) 2018/849	EN 50342-7:2015
Radio Equipment (RED) Directive 2014/53/EU as amended up to and including Reg. 2018/1139 (If fitted with radio frequency (RF) D.E.S.S. key)	IEC 62368-1:2014 CISPR 25:2016 ISO 11452-2:2004 ETSI EN 300 330 V2.1.1:2017

Dominic Tessier

Dominic Tessier (3448), S&S (827) (2021)

Mar 26, 2021

Dominic Tessier, Eng.
Director, Vehicle Engineering, Ski-Doo
Bombardier Recreational Products Inc.

Valcourt, QC, Canada

March 22nd, 2021

ski-doo lynx sea-doo evertide rotax can-am

UK DECLARATION OF CONFORMITY



BRP Finland Oy
PL 0040 (Isaavantie 7)
FI-00101 Rovaniemi, Finland
T 358 40 800 7700
F 358 10 318 114
www.brp.com

UK Declaration of Conformity

Authorized Representative: BRP Recreational Products UK Ltd., Castle Chambers, 43 Castle Street, Liverpool, L2 9SH

This declaration of conformity is issued under the sole responsibility of the manufacturer.

The undersigned, representing the manufacturer, hereby declares that model year **2022**

Snowmobile marked with the ^{UK} CE mark and a 17-character vehicle identification number (VIN) structured as **2BPSxxxxxNVxxxxxx** or **YH2SxxxxxNRxxxxxx** under commercial name **Ski-Doo** comply with all the relevant provisions of the following UK Statutory instrument and Regulations:

The Supply of Machinery (Safety) Regulations 2008, UK Statutory Instrument 2008/1597 as amended up to and including SI 2020/1112	ISO 12100:2010
Non-Road Mobile Machinery (Type-Approval and Emission of Gaseous and Particulate Pollutants) Regulation 2018, UK SI 2018/764 as amended up to and including SI 2020/1393	Category SMB, Stage V emissions limits
Electromagnetic Compatibility Regulations 2016, UK SI 2016/1091 as amended up to and including SI 2020/1112	CISPR 12:2007/A1:2009 & IEC 61000-6-1:2005 or UN R10.04 or later version
Batteries and Accumulators (Placing on the Market) Regulations 2008, UK SI 2008/2164 as amended up to and including UK SI 2020/904	EN 50342-7:2015
Radio Equipment Regulations 2017, UK SI 2017/1206 as amended up to and including SI 2020/1112	IEC 62368-1:2014 CISPR 25:2016 ISO 11452-2:2004 ETSI EN 300 330 V2.1.1:2017

Dominic Tessier

Dominic Tessier (Mar 09, 2022 09:37 EDT)

Mar 26, 2021

Dominic Tessier, Eng.
Director, Vehicle Engineering, Ski-Doo
Bombardier Recreational Products Inc.

Valcourt, QC, Canada

February 26th, 2021

ski-doo LYNX SEA-DOO EVRIDE ROTAX CAN-AM

**Left blank for Eurasian Conformity
mark where applicable**

EPA CERTIFIED ENGINES

Engine Emissions Information

Manufacturer's Responsibility

Beginning with **2007 model year engines**, snowmobile manufacturers of snowmobile engines need to determine the exhaust emission levels for each engine horsepower family and certify these engines with the United States of America Environmental Protection Agency (EPA). An emissions control information label, showing emission levels and engine specifications, must be placed on each vehicle at the time of manufacture.

Dealer's Responsibility

When performing service on a certified BRP snowmobiles that carry an emissions control information label, adjustments must be kept within published factory specifications.

Replacement or repair of any emission related component must be executed in a manner that maintains emission levels within the prescribed certification standards.

Dealers are not to modify the engine in any manner that would alter the horsepower or allow emission levels to exceed their predetermined factory specifications.

Exceptions include manufacturer's prescribed changes, such as altitude adjustments for example.

Owner Responsibility

The owner / operator is required to have engine maintenance performed to maintain emission levels within prescribed certification standards.

The owner / operator is not to, and should not allow anyone to modify the engine in any manner that would alter the horsepower or allow emissions levels to exceed their predetermined factory specifications.

EPA Emission Regulations

All BRP snowmobiles manufactured by BRP are certified to the EPA as conforming to the requirements of the regulations for the control of air pollution from new snowmobile engines. This certification is contingent on certain adjustments being set to factory standards. For this reason, the factory procedure for servicing the product must be strictly followed and, whenever practicable, returned to the original intent of the design.

The responsibilities listed above are general and in no way a complete listing of the rules and regulations pertaining to the EPA requirements on exhaust emissions for snowmobile products. For more detailed information on this subject, you may contact the following locations:

MAIL:

U.S. Environmental Protection Agency
Certification Division
Gasoline Engine Compliance Center
2000 Traverwood Drive
Ann Arbor MI 48105
USA

INTERNET WEB SITE:

www.epa.gov/otaq/

RADIO FREQUENCY DIGITALLY ENCODED SECURITY SYSTEM (RF D.E.S.S. KEY)

This device complies with FCC Part 15 and Industry Canada license exempt RSS standard(s).

Operation is subject to the following two conditions: (1) this device may not cause interference, and (2) this device must accept any interference, including interference that may cause undesired operation of the device.

Changes or modifications not expressly approved by the party responsible for compliance could void the user's authority to operate the equipment.

IC Registration Number: 12006A-1001002222

FCC ID: 2ACER-1001002222

We, the party responsible for compliance, declare under our sole responsibility that the device is in conformity with the provisions of the following Council Directive: 2014/53/EU. To which this declaration relates is in conformity with the essential requirements and other relevant requirements. The product is in conformity with the following directives, harmonized standards and regulations:

Radio Equipment Directive (RED) 2014/53/EU and Harmonized Standards:

IEC 62368-1:2014, CISPR 25:2016, ISO 11452-2:2004, ETSI EN 300 330 V2.1.1:2017

Radio Equipment Statutory Instrument 2017/1206 and Designated Standards:

IEC 62368-1:2014, CISPR 25:2016, ISO 11452-2:2004, ETSI EN 300 330 V2.1.1:2017

TECHNICAL SPECIFICATIONS

Engine

ENGINE	600 EFI
Engine type	Rotax 600 EFI liquid cooled with reed valves
Number of cylinder	2
Bore	72.3 mm (2.85 in)
Stroke	73 mm (2.87 in)
Displacement	599.4 cm ³ (36.6 in ³)
Maximum power engine speed	7500 ± 100 RPM

ENGINE	600R E-TEC
Engine type	Rotax 600R E-TEC liquid cooled with reed valves and electronic RAVE
Number of cylinder	2
Bore	72.3 mm (2.85 in)
Stroke	73 mm (2.87 in)
Displacement	599.4 cm ³ (36.6 in ³)
Maximum power engine speed	8100 ± 100 RPM

FUEL SYSTEM		
Fuel delivery	600 EFI	Throttle body injection
	600R E-TEC	E-TEC direct injection
Idle speed (not adjustable)	600 EFI	1500 ± 200 RPM

FUEL SYSTEM		
	600R E-TEC	1200 ± 200 RPM

ELECTRICAL SYSTEM			
Lighting system output		30 A @ 14.5 V 1340 W @ 6000 RPM	
Spark plug	Type	600 EFI	BPR8ES
		600R E-TEC	NGK ILKR8Q7 (engine and spark plug threads are indexed)
	Qty		2
	Gap ⁽¹⁾		Not adjustable 0.6 to 0.7 mm (.024 to .028 in)

LUBRICATION SYSTEM			
Oil injection pump type		600 EFI	Mechanical oil injection pump
		600R E-TEC	Electronic oil injection pump
Injection oil	Type ⁽²⁾	600 EFI	2T Synthetic Blend oil (semi-synthetic)
		600R E-TEC	2T E-TEC Synthetic oil (full synthetic)
	Quantity		3.4 l (3.6 qt(liq.,US))

Vehicle

COOLING SYSTEM		
Coolant type	Recommended	XPS Extended life pre-mixed coolant
	Alternative, or if not available	Ethyl glycol and distilled water (50%/50%) or coolant specifically formulated for aluminum engines

FUEL SYSTEM		
Fuel pump		In-tank electrical
	Octane rating	600 EFI 87 Pump Posted AKI (R+M)/2 92 RON
		600R E-TEC 91 Pump Posted AKI (R+M)/2 95 (RON)
Fuel tank capacity	Tundra	36 l (9.5 gal(liq.,US))
	Skandic	42 l (11.1 gal(liq.,US))

ELECTRICAL SYSTEM				
Battery			12 V, 18 A•h	
Headlamp			2 x 60/55 W (H-13)	
Taillight and stoplight			2.6/3.5 W LED	
600 EFI	Fuses	F1	Battery	30 A
		F2	ECM/ Engine/ Fuel	20 A

ELECTRICAL SYSTEM				
			Pump/ Starter	
		F3	Cluster	15 A
		F4	Lights/ Access ory	25 A
	Relays	RY1	Main	-
RY2		Lights/ Access ory	-	
600R E-Tec	Fuses	F1	Start/ RER	5 A
		F2	Head lamps	20 A
		F3	Cluster	15 A
		F4	Starter/ RFID	10 A
		F5	Access ory	15 A
		F6	Fan	15 A
		F8	Tail lights/ PAC	10 A
		FA	Battery	40 A
	Relay	RY2	Fan	-

DRIVE SYSTEM - CHAINCASE			
Chaincase oil	Type	Recom mended	XPS Synthetic chaincase oil

DRIVE SYSTEM - CHAINCASE			
		Alternative, or if not available	75W140 gear oil that meets the API GL-5 specification
	Capacity		350 ml (12 fl oz(US))
Chain drive ratio	Skandic WT 600 EFI		21/51
	Skandic WT 600R		23/45
	Skandic SWT 600R		23/49
	All Other Models		19/53

DRIVE SYSTEM - GEARBOX			
Gearbox oil (if equipped)	Type	Recommended	XPS Synchronesh transmission synthetic oil
		Alternative, or if not available	75W140 gear oil that meets the API GL-5 specification
	Capacity		900 ml (30.4 fl oz(US))
Gearbox ratio	600 EFI	Low	4.62:1

DRIVE SYSTEM - GEARBOX			
	600R E-TEC	High	2.57:1
		Low	3.87:1
		High	2.15:1

DRIVE SYSTEM - PULLEYS AND TRACK			
Drive pulley	Type	600 EFI	pDrive LC
		600R E-TEC	pDrive with clickers
	Engagement RPM	600 EFI	2300 ± 100 RPM
		600R E-TEC	3400 ± 100 RPM
Driven pulley	Type		QRS
Drive sprocket number of teeth			8
Track	Width	Tundra	41 cm (16 in)
		Skandic Sport / WT	50 cm (20 in)
		Skandic SWT	61 cm (24 in)
	Length	Tundra Sport	371 cm (146 in)
		Tundra LT Skandic Series	392.3 cm (154 in)
	Profile height	Tundra Sport	41 mm (1.6 in)
		Tundra LT Skandic WT / SWT	38.1 mm (1.5 in)
		Skandic Sport	31.8 mm (1.25 in)
	Track adjustment	Deflection	40 to 50 mm (1.575 to 1.969 in)

DRIVE SYSTEM - PULLEYS AND TRACK		
	Force	7.3 kgf (16 lbf)

BRAKE SYSTEM		
Brake	Type	Single 200 mm cross drilled carbon steel disc
Brake fluid	Type	DOT 4
	Quantity	65 ml (2.2 fl oz(US))
Caliper		Fixed twin pistons (2 x 40mm)
Brake pad material		Organic
Minimum brake pad thickness (includes backing plate)		5 mm (.2 in)
Minimum brake disc thickness		4.5 mm (.177 in)
Maximum brake disc warpage		0.25 mm (.01 in)

FRONT SUSPENSION	
Suspension type	LTS
Suspension maximum travel	150 mm (5.9 in)
Shock absorber type	Motion Control

REAR SUSPENSION		
Suspension type	Tundra Sport	cMotion
	Tundra LT Skandic Series	SC-5U
Suspension maximum travel	Tundra Sport	245 mm (9.6 in)

REAR SUSPENSION		
Measured at rear arm	Tundra LT Skandic Series	239 mm (9.4 in)
Shock absorber type	Center	Motion control
	Rear	HPG

WEIGHT AND DIMENSIONS		
Mass (dry)	Tundra Sport	212 kg (466 lb)
	Tundra LT	223 kg (491 lb)
	Skandic Sport	236 kg (520 lb)
	Skandic WT 600 EFI	261 kg (575 lb)
	Skandic WT 600R E-TEC	271 kg (596 lb)
	Skandic SWT	287 kg (633 lb)
Overall length	Tundra Sport	311 cm (122.4 in)
	Tundra LT Skandic Sport	325.9 cm (129.3 in)
	Skandic WT / SWT	322.2 cm (126.9 in)
Overall width	Tundra Series	99.4 cm (39.1 in)
	Skandic Series	108.9 cm (42.8 in)
Overall height	Tundra Sport	136.9 cm (53.9 in)
	Tundra LT	151.3 cm (59.6 in)
	Skandic Sport	136.9 cm (53.9 in)
	Skandic WT / SWT	151.3 cm (59.6 in)
Ski stance	Tundra Series	81.3 cm (32 in)

WEIGHT AND DIMENSIONS		
	Skandic Series	88.9 cm (35 in)
Rear rack capacity (including tongue weight)	Tundra Series	25 kg (55 lb)
	Skandic Series	57 kg (125 lb)
Rear under seat storage compartment loading capacity	Skandic Series	15 l (4 gal(liq.,US)) or 10 kg (22 lb)
Total vehicle load allowed (including occupant(s), all other loads and added accessories)	Tundra Series	206 kg (454.2 lb)
	Skandic Series	238 kg (525 lb)
Towing capacity	Tundra Series	260 kg (573 lb)
	Skandic Series	680 kg (1,500 lb)
Tongue capacity	Tundra Series	25 kg (55 lb)
	Skandic Series	16 kg (35 lb)

This page is intentionally blank

TROUBLESHOOT- ING

TROUBLESHOOTING GUIDELINES

ELECTRIC STARTER DOES NOT WORK

1. **Emergency engine stop switch in OFF position or tether cord cap not installed on engine cut-off switch.**
 - *Place the emergency engine stop switch in the ON position and install tether cord cap (on engine cut-off switch).*
2. **Throttle applied while attempting an engine start.**
 - *Release throttle while cranking.*

ENGINE IS CRANKING BUT FAILS TO START

1. **No fuel to the engine.**
 - *Check fuel tank level, add fuel if necessary.*
2. **System voltage too low.**
 - *Contact an authorized BRP snowmobile dealer.*

ENGINE RPM DOES NOT REACH CLUTCH ENGAGEMENT POINT

1. **D.E.S.S. did not read D.E.S.S. key code in the tether cord cap. D.E.S.S. pilot lamp blinks (slow short beeps/ repetitive).**
 - *Properly install tether cord cap.*
2. **D.E.S.S. has read a different code than the one programmed. D.E.S.S. pilot lamp blinks rapidly (fast short beeps/repetitive).**
 - *Install a tether cord cap for which this snowmobile was programmed.*
3. **ECM does not recognize the D.E.S.S. key.**
 - *Refer to an authorized BRP snowmobile dealer.*

ENGINE LACKS ACCELERATION OR POWER

1. **Engine warm-up in progress.**
 - *Drive vehicle at low speeds for a few minutes.*
2. **Engine break-in period not completed.**
 - *Complete break-in period.*
3. **Drive and driven pulleys require servicing.**
 - *Contact an authorized BRP snowmobile dealer.*
4. **Engine overheats.**
 - *Check coolant level, see Maintenance procedures.*
 - *Check heat exchangers cleanliness. Clean if necessary.*
5. **Drive belt worn too thin.**
 - *If the drive belt has lost more than 3 mm (1/8 in) of its original width, it will affect vehicle performance.*
 - *Replace drive belt.*
6. **Incorrect track adjustment.**
 - *See MAINTENANCE and/or an authorized Lynx dealer for proper alignment and tension adjustments.*
7. **R.A.V.E. valves problem.**
 - *Seek service from an authorized BRP snowmobile dealer, repair shop, or person of your own choosing for maintenance, repair, or replacement.*
8. **Fuel pressure too low.**
 - *Seek service from an authorized BRP snowmobile dealer, repair shop, or person of your own choosing for maintenance, repair, or replacement.*

ENGINE BACKFIRES

1. **Engine is running too hot.**
 - See item 4 of *ENGINE LACKS POWER*.
2. **Ignition timing is incorrect or there is an ignition system failure.**
 - Seek service from an authorized BRP snowmobile dealer, repair shop, or person of your own choosing for maintenance, repair, or replacement.
3. **Exhaust system leak.**
 - Seek service from an authorized BRP snowmobile dealer, repair shop, or person of your own choosing for maintenance, repair, or replacement.
4. **Fuel pressure too low.**
 - Seek service from an authorized BRP snowmobile dealer, repair shop, or person of your own choosing for maintenance, repair, or replacement.

ENGINE MISFIRES

1. **Water in fuel.**
 - Drain fuel system and refill with fresh fuel.
2. **RAVE valves malfunction.**
 - Have RAVE valves system inspected. Seek service from an authorized BRP snowmobile dealer, repair shop, or person of your own choosing for maintenance, repair, or replacement.

HEATED GRIPS/THUMB WARMERS ARE NOT WORKING

1. **Engine RPM is too low.**
 - Make sure engine RPM is above 2000.

ENGINE HAS SHUT DOWN

1. **The engine shuts down after long periods of idling.**
 - Do not let engine idle too long. Refer to Vehicle warm-up in operating instruction.

MONITORING SYSTEM

Pilot Lamps, Messages and Beeper Codes

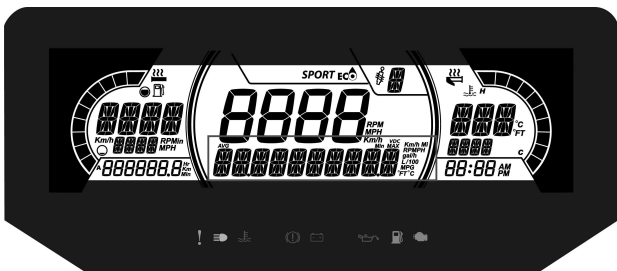
Gauge pilot lamp(s) will inform you if an anomaly occurs or to inform you of a particular condition.



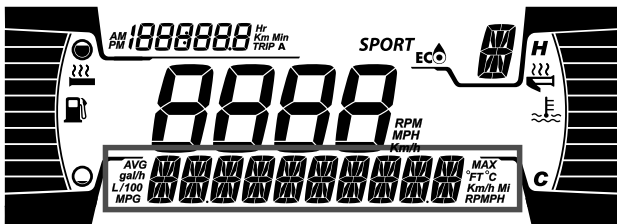
TYPICAL — PILOT LAMPS

Pilot lamp can flash alone or in combination with another lamp.

The lower display is used as a complement of the pilot lamps to give you a brief description if an anomaly occurs or to inform you of a particular condition.



7.2" DIGITAL LOWER DISPLAY



4.5" DIGITAL LOWER DISPLAY



Messages will be displayed with a beep code and pilot lamp(s).




Beeper codes will be heard and messages will be displayed to catch your attention.

See table below for details.


NOTE:

Some of the listed pilot lamps and messages do not apply to all models.

Pilot lamp ON	Beeper	Message display	Description
	1 Long beep repeating	<p style="text-align: center;">HIGH ENGINE TEMPERATURE</p>	<p>Engine is overheating, reduce snowmobile speed and run in loose snow or stop engine immediately and let engine cool down. Check coolant level, refer to <i>Maintenance</i>. If coolant level is correct and overheating persists, contact an authorized BRP snowmobile dealer. Do not run the engine if condition persists.</p>
		<p style="text-align: center;">MUFFLER OVERHEAT</p>	<p>Reduce speed or stop engine. Let engine cool down and restart. If overheating persists, contact an authorized BRP snowmobile dealer. Do not run the engine if condition persists.</p>
	1 Long beep repeating	<p style="text-align: center;">HIGH ENGINE TEMPERATURE</p>	<p>Critical overheat. Stop engine immediately and let engine cool down. Check coolant level, refer to <i>Maintenance</i>. If coolant level is correct and overheating persists, contact an authorized BRP snowmobile dealer. Do</p>

Pilot lamp ON	Beeper	Message display	Description
			not run the engine if condition persists.
		MUFFLER OVERHEAT	Critical overheat. Stop engine immediately and let engine cool down. If overheating persists, contact an authorized BRP snowmobile dealer. Do not run the engine if condition persists.
		ECM OVERHEAT	
	—	BATT VOLT	Indicate a low or high battery voltage condition. See an authorized BRP snowmobile dealer as soon as possible.
	1 Long beep repeating	CHECK ENGINE	Engine fault, see an authorized BRP snowmobile dealer, repair shop or person of your own choosing as soon as possible.
	—	—	Displayed when brake is applied for more than 15 seconds while throttle lever is squeezed and vehicle is moving at more than 5 km/h (3 MPH).
—	4 short beeps every 5 minutes	KNOCK	Engine detonation (RPM is limited when this condition occurs).

Pilot lamp ON	Beeper	Message display	Description
			<ul style="list-style-type: none"> - Ensure recommended fuel is used. - Check fuel quality, replace if necessary. - If fault still occurs, contact an authorized BRP snowmobile dealer, repair shop, or person of your own choosing.
—	4 short beeps every 5 minutes	REV LIMIT	Engine RPM limited for protection when certain faults occur.
—	—	OVER REV	Indicates that maximum engine RPM is reached. Check clutch calibration.
—	Short beeps repeating rapidly	SHUTDOWN	Shutdown procedure in force due to engine overheating or fuel pump problem.
DESS	—	—	Good key, vehicle ready to operate.
	—	WRONG KEY	Unable to read key (bad connection). Make sure the key is clean and correctly snapped on post.

Pilot lamp ON	Beeper	Message display	Description
	—	CHECK KEY	Invalid key or key not programmed. Use the proper key for the vehicle or have the programmed.
 (blinking)	—	—	Fuel level sensor problem.

Fault Codes

The fault codes can be displayed on the center display.

To read any active fault code, press and hold MODE (M) Button and simultaneously depress the HI/LOW beam switch repeatedly several times.

If two or more codes are registered, use SET (S) or MODE (M) to scroll.

To exit the fault codes mode, press and hold MODE (M) button.

Contact an authorized BRP snowmobile dealer for code signification.

This page is intentionally blank

WARRANTY

BRP LIMITED WARRANTY USA AND CANADA: 2022 SKI-DOO® SNOWMOBILES

SCOPE OF THE LIMITED WARRANTY

Bombardier Recreational Products Inc. (“BRP”) warrants its 2022 Ski-Doo snowmobiles sold by authorized BRP dealers (as defined below) in the United States of America (“USA”) and in Canada from defects in material or workmanship for the period and under the conditions described below. This limited warranty will become null and void if: (1) the snowmobile was used for racing or any other competitive activity, at any point, even by a previous owner; or (2) the snowmobile has been altered or modified in such a way so as to adversely affect its operation, performance or durability, or has been altered or modified to change its intended use.

Non-factory installed parts and accessories are not covered under this limited warranty. Please refer to the applicable parts and accessories limited warranty text.

LIMITATIONS OF LIABILITY

THIS WARRANTY IS EXPRESSLY GIVEN AND ACCEPTED IN LIEU OF ANY AND ALL OTHER WARRANTIES, EXPRESSED OR IMPLIED, INCLUDING WITHOUT LIMITATION ANY WARRANTY OF MERCHANTABILITY OR FITNESS FOR A PARTICULAR PURPOSE. TO THE EXTENT THAT THEY CANNOT BE DISCLAIMED, THE IMPLIED WARRANTIES ARE LIMITED IN DURATION TO THE LIFE OF THE EXPRESS WARRANTY. INCIDENTAL AND CONSEQUENTIAL DAMAGES ARE EXCLUDED FROM COVERAGE UNDER THIS WARRANTY. SOME STATES/PROVINCES DO NOT ALLOW FOR THE DISCLAIMERS, LIMITATIONS AND EXCLUSIONS IDENTIFIED ABOVE, AS A RESULT, THEY MAY NOT APPLY TO YOU. THIS WARRANTY GIVES YOU SPECIFIC RIGHTS, AND YOU MAY ALSO HAVE OTHER LEGAL RIGHTS WHICH MAY VARY FROM STATE TO STATE, OR PROVINCE TO PROVINCE.

Neither the distributor, any BRP dealer nor any other person has been authorized to make any affirmation, representation or warranty regarding the product, other than those contained in this limited warranty, and if made, shall not be enforceable against BRP. BRP reserves the right to modify this limited warranty at any time, being understood that such modification will not alter the warranty conditions applicable to the products sold while this warranty is in effect.

EXCLUSIONS – ARE NOT WARRANTED

The following are not warranted under any circumstances:

- Normal wear and tear;
- Routine maintenance items, tune ups, adjustments;

- Damage caused by failure to provide proper maintenance and/or storage, as described in the Operator's Guide;
- Damage resulting from removal of parts, improper repairs, service, maintenance, modifications or use of parts or accessories not manufactured or approved by BRP or resulting from repairs done by a person that is not an authorized servicing BRP dealer;
- Damage caused by abuse, abnormal use, neglect, use of the product on surfaces other than snow, or operation of the product in a manner inconsistent with the recommended operation described in the Operator's Guide;
- Damage resulting from accident, submersion, fire, theft, vandalism or any act of God;
- Operation with fuels, oils or lubricants which are not suitable for use with the product (see the Operator's Guide);
- Snow or water ingestion;
- Incidental or consequential damages, or damages of any kind including without limitation towing, storage, telephone, rental, taxi, inconvenience, insurance coverage, loan payments, loss of time, loss of income; and
- Damage resulting from studs installed on tracks if the installation does not conform to BRP's instructions.

WARRANTY COVERAGE PERIOD

This limited warranty will be in effect from the date of delivery to the first retail consumer or the date the product is first put into use, whichever occurs first and for the following period:

TWELVE (12) CONSECUTIVE MONTHS, for private or commercial use owners. However, the warranty coverage period on a snowmobile delivered between June 1st and December 1st of a given year will expire November 30th of the following year.

For emission-related components; please also refer to the *US EPA EMISSION-RELATED WARRANTY (PAGE 268) US EPA EMISSION-RELATED WARRANTY* contained herein.

The repair or replacement of parts or the performance of service under this warranty does not extend the life of this warranty beyond its original expiration date.

CONDITIONS REQUIRED FOR WARRANTY COVERAGE

This warranty coverage is available **only** if each of the following conditions has been fulfilled:

- The 2022 Ski-Doo snowmobile must be purchased as new and unused by its first owner from a BRP dealer authorized to distribute

Ski-Doo snowmobiles in the country in which the sale occurred (“BRP dealer”);

- The BRP specified pre-delivery inspection process must be completed and documented and signed by the purchaser;
- The 2022 Ski-Doo snowmobile must have undergone proper registration by an authorized BRP dealer;
- The 2022 Ski-Doo snowmobile must be purchased in the country in which the purchaser resides; and
- Routine maintenance outlined in the Operator’s Guide must be timely performed in order to maintain warranty coverage. BRP reserves the right to make warranty coverage contingent upon proof of proper maintenance.

BRP will not honor this limited warranty to any private use owner or commercial use owner if one of the preceding conditions has not been met. Such limitations are necessary in order to allow BRP to preserve both the safety of its products, and also that of its consumers and the general public.

WHAT TO DO TO OBTAIN WARRANTY COVERAGE

The customer must cease using the snowmobile upon the appearance of an anomaly. The customer must notify a servicing BRP dealer within three (3) days of the appearance of a defect, and provide it with reasonable access to the product and reasonable opportunity to repair it. The customer must also present to the authorized BRP dealer, proof of purchase of the product and must sign the repair/work order prior to starting the repair in order to validate the warranty repair. All parts replaced under this limited warranty become the property of BRP.

WHAT BRP WILL DO

BRP’s obligations under this warranty are limited to, at its sole discretion, repairing parts found defective under normal use, maintenance and service, or replacing such parts with new genuine Ski-Doo parts without charge for parts and labor, at any authorized BRP dealer during the warranty coverage period under the conditions described herein. No claim of breach of warranty shall be cause for cancellation or rescission of the sale of the snowmobile to the owner.

In the event that service is required outside of the country of original sale, the owner will bear responsibility for any additional charges due to local practices and conditions, such as, but not limited to, freight, insurance, taxes, license fees, import duties, and any and all other financial charges, including those levied by governments, states, territories and their respective agencies.

BRP reserves the right to improve or modify products from time to time without assuming any obligation to modify products previously manufactured.

TRANSFER

If the ownership of a product is transferred during the warranty coverage period, this limited warranty, subject to its terms and conditions, shall also be transferred and be valid for the remaining coverage period provided BRP or an authorized Ski-Doo Distributor/Dealer receives a proof that the former owner agreed to the transfer of ownership, in addition to the co-ordinates of the new owner.

CONSUMER ASSISTANCE

In the event of a controversy or a dispute in connection with this limited warranty, BRP suggests that you try to resolve the issue at the dealership level. We recommend discussing the issue with the authorized dealer's service manager or owner.

If the matter still remains unresolved, contact BRP by filling out the customer contact form at www.brp.com or contact BRP by mail at one of the addresses listed under the *CONTACT US* section of this guide.

US EPA EMISSION-RELATED WARRANTY

Bombardier Recreational Products Inc. ("BRP") warrants to the ultimate purchaser and each subsequent purchaser that this new engine, including all parts of its exhaust emission-control system and its evaporative emission-control system, meets two conditions:

1. It is designed, built, and equipped so it conforms at the time of sale to the ultimate purchaser with the requirements of 40 CFR 1051 and 40 CFR 1060.
2. It is free from defects in materials and workmanship that may keep it from meeting the requirements of 40 CFR 1051 and 40 CFR 1060.

Where a warrantable condition exists, BRP will repair or replace, as it elects, any part or component with a defect in materials or workmanship that would increase the engine's emissions of any regulated pollutant within the stated warranty period at no cost to the owner, including expenses related to diagnosing and repairing or replacing emission-related parts. All defective parts replaced under this warranty become the property of BRP.

For all emission-related warranty claims, BRP is limiting the diagnosis and repair of emission-related parts to the authorized Ski-Doo dealers, unless for emergency repairs as required by item 2 of the following list.

As a certifying manufacturer, BRP will not deny emission-related warranty claims based on any of the following:

1. Maintenance or other service BRP or BRP's authorized facilities performed.
2. Engine/equipment repair work that an operator performed to correct an unsafe, emergency condition attributable to BRP as long as the operator tries to restore the engine/equipment to its proper configuration as soon as possible.
3. Any action or inaction by the operator unrelated to the warranty claim.
4. Maintenance that was performed more frequently than BRP specify.
5. Anything that is BRP fault or responsibility.
6. The use of any fuel that is commonly available where the equipment operates unless BRP written maintenance instructions state that this fuel would harm the equipment's emission control system and operators can readily find the proper fuel. See maintenance information section and fuel requirements of fueling section.

Emission-Related Warranty Period

The emission-related warranty is valid for the following period whichever comes first:

	hours	months	Kilo meters
Exhaust emission-related components	200	30	4000
Evaporative emission-related components	N/A	24	N/A

Components Covered

The emission-related warranty covers all components whose failure would increase an engine's emissions of any regulated pollutant, including the following listed components:

- For exhaust emissions, emission-related components include any engine parts related to the following systems:
 - Air-induction system
 - Fuel system
 - Ignition system
 - Exhaust gas recirculation systems
- The following parts are also considered emission-related components for exhaust emissions:
 - Aftertreatment devices
 - Crankcase ventilation valves
 - Sensors
 - Electronic control units
- The following parts are considered emission-related components for evaporative emissions:
 - Fuel tank
 - Fuel cap
 - Fuel line
 - Fuel line fittings
 - Clamps*
 - Pressure relief valves*
 - Control valves*
 - Control solenoids*
 - Electronic controls*
 - Vacuum control diaphragms*
 - Control cables*
 - Control linkages*
 - Purge valves
 - Vapor hoses
 - Liquid/vapor separator
 - Carbon canister
 - Canister mounting brackets

- Carburetor purge port connector

NOTE:

*As related to the evaporative emission control system

4. Emission-related components also include any other part whose only purpose is to reduce emissions or whose failure will increase emissions without significantly degrading engine/equipment performance.

Limited Applicability

As a certifying manufacturer, BRP may deny emission-related warranty claims for failures that have been caused by the owner's or operator's improper maintenance or use, by accidents for which the manufacturer has no responsibility, or by acts of God. For example, an emission-related warranty claim need not be honored for failures that have been directly caused by the operator's abuse of the engine/equipment or the operator's use of the engine/equipment in a manner for which it was not designed and are not attributable to the manufacturer in anyway.

If you have any question regarding your warranty rights and responsibility or for the name and location of the nearest authorized BRP dealer, you should contact BRP by filling out the customer contact form at **www.brp.com** or contact BRP by mail at one of the addresses listed under the CONTACT US section of this guide, or call at 1-888-272-9222.

BRP INTERNATIONAL LIMITED WARRANTY: 2022 SKI-DOO® SNOWMOBILES

SCOPE OF THE LIMITED WARRANTY

Bombardier Recreational Products Inc. ("BRP") warrants its 2022 Ski-Doo snowmobiles sold by distributors or dealers authorized by BRP to distribute SKI-Doo snowmobiles ("**Ski-Doo Distributor/Dealer**") outside of the fifty United States, Canada, members of the European Economic Area (which is comprised of the member states of the European Union plus the United Kingdom, Norway, Iceland and Liechtenstein) ("**EEA**"), members states of the Commonwealth of the Independent States (including Ukraine and Turkmenistan) ("**CIS**") and Turkey, from defects in material or workmanship for the period and under the conditions described below.

Non-factory installed parts and accessories are not covered under this limited warranty. Please refer to the applicable parts and accessories limited warranty text.

This limited warranty will become null and void if: (1) the snowmobile was used for racing or any other competitive activity, at any point, even by a previous owner; or (2) the snowmobile has been altered or modified in such a way so as to adversely affect its operation, performance or durability, or has been altered or modified to change its intended use.

LIMITATIONS OF LIABILITY

TO THE EXTENT PERMITTED BY LAW, THIS WARRANTY IS EXPRESSLY GIVEN AND ACCEPTED IN LIEU OF ANY AND ALL OTHER WARRANTIES, EXPRESSED OR IMPLIED, INCLUDING WITHOUT LIMITATION ANY WARRANTY OF MERCHANTABILITY OR FITNESS FOR A PARTICULAR PURPOSE. TO THE EXTENT THAT THEY CANNOT BE DISCLAIMED, THE IMPLIED WARRANTIES ARE LIMITED IN DURATION TO THE LIFE OF THE EXPRESS WARRANTY. INCIDENTAL AND CONSEQUENTIAL DAMAGES ARE EXCLUDED FROM COVERAGE UNDER THIS WARRANTY. SOME JURISDICTIONS DO NOT ALLOW FOR THE DISCLAIMERS, LIMITATIONS AND EXCLUSIONS IDENTIFIED ABOVE, AS A RESULT, THEY MAY NOT APPLY TO YOU. THIS WARRANTY GIVES YOU SPECIFIC RIGHTS, AND YOU MAY ALSO HAVE OTHER LEGAL RIGHTS WHICH MAY VARY FROM COUNTRY TO COUNTRY. (FOR PRODUCTS PURCHASED IN AUSTRALIA SEE CLAUSE 4 BELOW).

Neither the Ski-Doo Distributor/Dealer nor any other person has been authorized to make any affirmation, representation or warranty regarding the product, other than those contained in this limited warranty, and if made, shall not be enforceable against BRP.

BRP reserves the right to modify this warranty at any time, being understood that such modification will not alter the warranty conditions applicable to the products sold while this warranty is in effect.

EXCLUSIONS – ARE NOT WARRANTED

The following are not warranted under this limited warranty under any circumstances:

- Normal wear and tear;
- Routine maintenance items, tune ups, adjustments;
- Damage caused by negligence or failure to provide proper maintenance and/or storage, as described in the Operator's Guide;
- Damage resulting from removal of parts, improper repairs, service, maintenance, modifications or use of parts or accessories not manufactured or approved by BRP which in its reasonable judgment are either incompatible with the product or adversely affect its operation, performance and durability, or resulting from repairs done by a person that is not an authorized servicing Ski-Doo Distributor/Dealer;
- Damage caused by abuse, abnormal use, neglect, racing or operation of the product on surfaces other than snow, or operation of the product in a manner inconsistent with the recommended operation described in the Operator's Guide;
- Damage resulting from accident, submersion, fire, snow or water ingestion, theft, vandalism or any act of God;
- Operation with fuels, oils or lubricants which are not suitable for use with the product (see the Operator's Guide);
- Damage resulting from rust, corrosion or exposure to the elements;
- Incidental or consequential damages, or damages of any kind including without limitation towing, storage, transportation expenses, telephone, rental, taxi, inconvenience, insurance coverage, loan payments, loss of time, loss of income; or time missed for downtime experience due to service work.
- And damage resulting from studs installed on tracks if the installation does not conform to BRP's instructions.

WARRANTY COVERAGE PERIOD

This warranty will be in effect from (1) the date of delivery to the first retail consumer or (2) the date the product is first put into use, whichever occurs first and for a period of:

TWELVE (12) CONSECUTIVE MONTHS, for private or commercial use owners. However, the warranty coverage period on a snowmobile delivered between June 1st and December 1st of a given year will expire November 30th of the following year.

The repair or replacement of parts or the performance of service under this warranty does not extend the life of this warranty beyond its original expiration date.

Note that the duration and any other modalities of the warranty coverage are subject to the applicable national or local legislation in the customer's country.

FOR PRODUCTS SOLD IN AUSTRALIA ONLY

Nothing in these Warranty terms and conditions should be taken to exclude, restrict or modify the application of any condition, warranty, guarantee, right or remedy conferred or implied under the Competition and Consumer Act 2010 (Cth), including the Australian Consumer Law or any other law, where to do so would contravene that law, or cause any part of these terms and conditions to be void. The benefits given to you under this limited warranty are in addition to other rights and remedies that you have under Australian law.

Our goods come with guarantees that cannot be excluded under the Australian Consumer Law. You are entitled to a replacement or refund for a major failure and for compensation for any other reasonably foreseeable loss or damage. You are also entitled to have the goods repaired or replaced if the goods fail to be of acceptable quality and the failure does not amount to a major failure.

CONDITIONS TO HAVE WARRANTY COVERAGE

This warranty coverage is available **only** if each of the following conditions has been fulfilled:

- The 2022 Ski-Doo snowmobile must be purchased as new and unused by its first owner from a Ski-Doo Distributor/Dealer authorized to distribute Ski-Doo snowmobiles in the country in which the sale occurred;
- The BRP specified pre-delivery inspection process must be completed and documented;
- The product must have undergone proper registration by an authorized Ski-Doo Distributor/Dealer;
- The 2022 Ski-Doo snowmobile must be purchased in the country or union of countries in which the purchaser resides.
- Routine maintenance outlined in the Operator's Guide must be timely performed in order to maintain warranty coverage. BRP reserves the right to make warranty coverage contingent upon proof of proper maintenance.

BRP will not honour this limited warranty to any private use owner or commercial use owner if one of the preceding conditions has not been met. Such limitations are necessary in order to allow BRP to preserve both the safety of its products, and also that of its consumers and the general public.

WHAT TO DO TO OBTAIN WARRANTY COVERAGE

The customer must cease using the snowmobile upon the appearance of an anomaly. The customer must notify a servicing Ski-Doo Distributor/Dealer within two (2) days of the appearance of a defect, and provide it with reasonable access to the product and reasonable opportunity to repair it. The customer must also present to the authorized Ski-Doo Distributor/Dealer, proof of purchase of the product and must sign the repair/work order prior to starting the repair in order to validate the warranty repair. All parts replaced under this limited warranty become the property of BRP.

Note that the notification period is subject to the applicable national or local legislation in customer's country.

WHAT BRP WILL DO

To the extent permitted by law, BRP's obligations under this warranty are limited to, at its sole discretion, repairing parts found defective under normal use, maintenance and service, or replacing such parts with new genuine Ski-Doo parts without charge for parts and labour, at any authorized Ski-Doo Distributor/Dealer during the warranty coverage period under the conditions described herein. BRP's responsibility is limited to making the required repairs or replacements of parts. No claim of breach of warranty shall be cause for cancellation or rescission of the sale of the snowmobile to the owner. You may have other legal rights which may vary from country to country.

In the event that service is required outside of the country of original sale, the owner will bear responsibility for any additional charges due to local practices and conditions, such as, but not limited to, freight, insurance, taxes, license fees, import duties, and any and all other financial charges, including those levied by governments, states, territories and their respective agencies.

BRP reserves the right to improve or modify products from time to time without assuming any obligation to modify products previously manufactured.

TRANSFER

If the ownership of a product is transferred during the warranty coverage period, this limited warranty, subject to its terms and conditions, shall also be transferred and be valid for the remaining coverage period provided BRP or an authorized Ski-Doo Distributor/Dealer receives a proof that the former owner agreed to the transfer of ownership, in addition to the co-ordinates of the new owner.

CONSUMER ASSISTANCE

In the event of a controversy or a dispute in connection with this limited warranty, BRP suggests that you try to resolve the issue at the Ski-Doo Distributor/Dealer level. We recommend discussing the issue with the authorized Ski-Doo Distributor/Dealer's service manager or owner.

If the matter still remains unresolved, contact BRP by filling out the customer contact form at www.brp.com or contact BRP by mail at one of the addresses listed under the *CONTACT US* section of this guide.

BRP LIMITED WARRANTY FOR THE EUROPEAN ECONOMIC AND THE COMMONWEALTH OF THE INDEPENDENT STATES (CIS) AREAS AND TURKEY: 2022 SKI-DOO® SNOWMOBILES

SCOPE OF THE LIMITED WARRANTY

Bombardier Recreational Products Inc. ("BRP") warrants its 2022 Ski-Doo snowmobiles sold by distributors or dealers authorized by BRP to distribute Ski-Doo snowmobiles ("**Ski-Doo Distributor/Dealer**") in member states of the European Economic Area (which is comprised of the member states of the European Union plus the United Kingdom, Norway, Iceland and Liechtenstein) ("**EEA**"), in member states of the Commonwealth of the Independent States (including Ukraine and Turkmenistan) ("**CIS**") and Turkey from defects in material or workmanship for the period and under the conditions described below.

Non-factory installed parts and accessories are not covered under this limited warranty. Please refer to the applicable parts and accessories limited warranty text.

This limited warranty will become null and void if: (1) the snowmobile was used for racing or any other competitive activity, at any point, even by a previous owner; or (2) the snowmobile has been altered or modified in such a way so as to adversely affect its operation, performance or durability, or has been altered or modified to change its intended use.

LIMITATIONS OF LIABILITY

TO THE EXTENT PERMITTED BY LAW, THIS WARRANTY IS EXPRESSLY GIVEN AND ACCEPTED IN LIEU OF ANY AND ALL OTHER WARRANTIES, EXPRESSED OR IMPLIED, INCLUDING WITHOUT LIMITATION ANY WARRANTY OF MERCHANTABILITY OR FITNESS FOR A PARTICULAR PURPOSE. TO THE EXTENT THAT THEY CANNOT BE DISCLAIMED, THE IMPLIED WARRANTIES ARE LIMITED IN DURATION TO THE LIFE OF THE EXPRESS WARRANTIES. INCIDENTAL AND CONSEQUENTIAL DAMAGES ARE EXCLUDED FROM COVERAGE UNDER THIS WARRANTY. SOME JURISDICTIONS DO NOT ALLOW FOR THE DISCLAIMERS, LIMITATIONS AND EXCLUSIONS IDENTIFIED ABOVE, AS A RESULT, THEY MAY NOT APPLY TO YOU. THIS WARRANTY GIVES YOU SPECIFIC RIGHTS, AND YOU MAY ALSO HAVE OTHER LEGAL RIGHTS WHICH MAY VARY FROM COUNTRY TO COUNTRY.

Neither the Ski-Doo Distributor/Dealer nor any other person has been authorized to make any affirmation, representation or warranty

regarding the product, other than those contained in this limited warranty, and if made, shall not be enforceable against BRP.

BRP reserves the right to modify this warranty at any time, being understood that such modification will not alter the warranty conditions applicable to the products sold while this warranty is in effect.

EXCLUSIONS – ARE NOT WARRANTED

The following are not warranted under this limited warranty under any circumstances:

- Normal wear and tear;
- Routine maintenance items, tune ups, adjustments;
- Damage caused by negligence or failure to provide proper maintenance and/or storage, as described in the Operator's Guide;
- Damage resulting from removal of parts, improper repairs, service, maintenance, modifications or use of parts or accessories not manufactured or approved by BRP which in its reasonable judgment are either incompatible with the product or adversely affect its operation, performance and durability, or resulting from repairs done by a person that is not an authorized servicing Ski-Doo Distributor/Dealer;
- Damage caused by abuse, abnormal use, neglect, racing or operation of the product on surfaces other than snow, or operation of the product in a manner inconsistent with the recommended operation described in the Operator's Guide;
- Damage resulting from accident, submersion, fire, snow or water ingestion, theft, vandalism or any act of God;
- Operation with fuels, oils or lubricants which are not suitable for use with the product (see the Operator's Guide);
- Damage resulting from rust, corrosion or exposure to the elements;
- Incidental or consequential damages, or damages of any kind including without limitation towing, transportation expenses, storage, telephone, rental, taxi, inconvenience, insurance coverage, loan payments, loss of time, loss of income or time missed for downtime experience due to service work;
- and damage resulting from studs installed on tracks if the installation does not conform to BRP's instructions.

WARRANTY COVERAGE PERIOD

This warranty will be in effect from (1) the date of delivery to the first retail consumer or (2) the date the product is first put into use, whichever occurs first and for a period of:

TWENTY-FOUR (24) CONSECUTIVE MONTHS, for private use owners and TWELVE (12) CONSECUTIVE MONTHS for commercial use owners. However, the warranty coverage period on a snowmobile

delivered between June 1st and December 1st of a given year will expire November 30th of the applicable year. A snowmobile is used commercially when it is used in connection with generating income or any work or employment during any part of the warranty period. A snowmobile is also used commercially when, at any point during the warranty period, it has commercial tags or is licensed for commercial use.

The repair or replacement of parts or the performance of service under this warranty does not extend the life of this warranty beyond its original expiration date.

Note that the duration and any other modalities of the warranty coverage are subject to the applicable national or local legislation in the customer's country.

CONDITIONS TO HAVE WARRANTY COVERAGE

This warranty coverage is available **only** if each of the following conditions has been fulfilled:

- The 2022 Ski-Doo snowmobile must be purchased as new and unused by its first owner from a Ski-Doo Distributor/Dealer authorized to distribute Ski-Doo products in the country in which the sale occurred;
- The BRP specified pre-delivery inspection process must be completed and documented;
- The product must have undergone proper registration by an authorized Ski-Doo Distributor/Dealer;
- The 2022 Ski-Doo snowmobile must be purchased within the EEA by an EEA resident, in the CIS for residents of the countries comprised in such area and in Turkey for residents of Turkey; and
- Routine maintenance outlined in the Operator's Guide must be timely performed in order to maintain warranty coverage. BRP reserves the right to make warranty coverage contingent upon proof of proper maintenance.

BRP will not honour this limited warranty to any private use owner or commercial use owner if one of the preceding conditions has not been met. Such limitations are necessary in order to allow BRP to preserve both the safety of its products, and also that of its consumers and the general public.

WHAT TO DO TO OBTAIN WARRANTY COVERAGE

The customer must cease using the snowmobile upon the appearance of an anomaly. The customer must notify a servicing Ski-Doo Distributor/Dealer within two (2) months of the appearance of a defect, and provide it with reasonable access to the product and reasonable opportunity to repair it. The customer must also present to the authorized

Ski-Doo Distributor/Dealer, proof of purchase of the product and must sign the repair/work order prior to starting the repair in order to validate the warranty repair. All parts replaced under this limited warranty become the property of BRP.

Note that the notification period is subject to the applicable national or local legislation in customer's country.

WHAT BRP WILL DO

To the extent permitted by law, BRP's obligations under this warranty are limited to, at its sole discretion, repairing parts found defective under normal use, maintenance and service, or replacing such parts with new genuine Ski-Doo parts without charge for parts and labour, at any authorized Ski-Doo Distributor/Dealer during the warranty coverage period under the conditions described herein. BRP's responsibility is limited to making the required repairs or replacements of parts. No claim of breach of warranty shall be cause for cancellation or rescission of the sale of the snowmobile to the owner. You may have other legal rights which may vary from country to country.

In the event that service is required outside of the EEA, CIS or Turkey, the owner will bear responsibility for any additional charges due to local practices and conditions, such as, but not limited to, freight, insurance, taxes, license fees, import duties, and any and all other financial charges, including those levied by governments, states, territories and their respective agencies.

BRP reserves the right to improve or modify products from time to time without assuming any obligation to modify products previously manufactured.

TRANSFER

If the ownership of a product is transferred during the warranty coverage period, this limited warranty, subject to its terms and conditions, shall also be transferred and be valid for the remaining coverage period provided BRP or an authorized Ski-Doo Distributor/Dealer receives a proof that the former owner agreed to the transfer of ownership, in addition to the co-ordinates of the new owner.

CONSUMER ASSISTANCE

In the event of a controversy or a dispute in connection with this limited warranty, BRP suggests that you try to resolve the issue at the Ski-Doo Distributor/Dealer level. We recommend discussing the issue with the authorized Ski-Doo Distributor/Dealer's service manager or owner.

If the matter still remains unresolved, contact BRP by filling out the customer contact form at www.brp.com or contact BRP by mail at one of the addresses listed under the *CONTACT US* section of this guide.

ADDITIONAL TERMS AND CONDITIONS FOR FRANCE ONLY

The following terms and conditions are applicable to products sold in France only:

The seller shall deliver goods that are complying with the contract and shall be responsible for defects existing upon delivery. The seller shall also be responsible for defects resulting from packaging, assembling instructions or the installation when it is its responsibility per the contract or if accomplished under its responsibility. To be compliant with the contract, the good shall:

1. Be fit for normal use for goods similar thereto and, if applicable:
 - Correspond to the description provided by the seller and have the qualities presented to the buyer though sample or model;
 - Have the qualities that a buyer may legitimately expect considering the public declarations of the seller, the manufacturer of its representative, including in advertising or labeling; or
2. Have the characteristics mutually agreed upon as between the parties or be fit for the specific use intended by the buyer and brought to the attention of the seller and which accepted

The action for failure to comply is prescribed after two years after delivery of the goods. The seller is responsible for the warranty for hidden defects of the good sold if such hidden defects are rendering the good unfit for the intended use, or if they diminish its use in such a way that the buyer would not have acquired the good or would have given a lesser price, had he known. The action for such hidden defects shall be taken by the buyer within 2 years of the discovery of the defect.

MAINTENANCE RECORDS

Send photocopy of maintenance record to BRP if needed.

Pre-delivery	
Serial number: _____	Signature/Print:
Mileage / km: _____	
Hours: _____	
Date: _____	
Dealer no: _____	
Notes: _____	

Refer to vehicle Pre-Delivery Bulletin for detailed installation procedures	

First inspection	
Mileage / km: _____	Signature/Print:
Hours: _____	
Date: _____	
Dealer no: _____	
Notes: _____ _____	
For maintenance schedule refer to Maintenance Information section of this operator's guide	

Service	
Mileage / km: _____	Signature/Print:
Hours: _____	
Date: _____	
Dealer no: _____	
Notes: _____ _____	
For maintenance schedule refer to Maintenance Information section of this operator's guide	

Service	
Mileage / km: _____ Hours: _____ Date: _____ Dealer no: _____ Notes: _____ _____ _____	Signature/Print:
For maintenance schedule refer to Maintenance Information section of this operator's guide	

Service	
Mileage / km: _____ Hours: _____ Date: _____ Dealer no: _____ Notes: _____ _____ _____	Signature/Print:
For maintenance schedule refer to Maintenance Information section of this operator's guide	

Service	
Mileage / km: _____	Signature/Print:
Hours: _____	
Date: _____	
Dealer no: _____	
Notes: _____	

For maintenance schedule refer to Maintenance Information section of this operator's guide	

Service	
Mileage / km: _____	Signature/Print:
Hours: _____	
Date: _____	
Dealer no: _____	
Notes: _____	

For maintenance schedule refer to Maintenance Information section of this operator's guide	

Service	
Mileage / km: _____ Hours: _____ Date: _____ Dealer no: _____ Notes: _____ _____ _____	Signature/Print:
For maintenance schedule refer to Maintenance Information section of this operator's guide	

Service	
Mileage / km: _____ Hours: _____ Date: _____ Dealer no: _____ Notes: _____ _____ _____	Signature/Print:
For maintenance schedule refer to Maintenance Information section of this operator's guide	

Service	
Mileage / km: _____	Signature/Print:
Hours: _____	
Date: _____	
Dealer no: _____	
Notes: _____	

For maintenance schedule refer to Maintenance Information section of this operator's guide	

Service	
Mileage / km: _____	Signature/Print:
Hours: _____	
Date: _____	
Dealer no: _____	
Notes: _____	

For maintenance schedule refer to Maintenance Information section of this operator's guide	

Service	
Mileage / km: _____ Hours: _____ Date: _____ Dealer no: _____ Notes: _____ _____ _____	Signature/Print:
For maintenance schedule refer to Maintenance Information section of this operator's guide	

Service	
Mileage / km: _____ Hours: _____ Date: _____ Dealer no: _____ Notes: _____ _____ _____	Signature/Print:
For maintenance schedule refer to Maintenance Information section of this operator's guide	

Service	
Mileage / km: _____	Signature/Print:
Hours: _____	
Date: _____	
Dealer no: _____	
Notes: _____	

For maintenance schedule refer to Maintenance Information section of this operator's guide	

Service	
Mileage / km: _____	Signature/Print:
Hours: _____	
Date: _____	
Dealer no: _____	
Notes: _____	

For maintenance schedule refer to Maintenance Information section of this operator's guide	

CUSTOMER INFORMATION

PRIVACY INFORMATION

BRP wishes to inform you that your coordinates will be used for safety and warranty related purposes. Furthermore, BRP and its affiliates may use its customer list to distribute marketing and promotional information about BRP and related products.

To exercise your right to consult or correct your data, or to be removed from the addressee-list for direct marketing, please contact BRP.

By E-mail: **privacyofficer@brp.com**

By mail: BRP
Senior Legal Counsel-Privacy Officer
726 St-Joseph
Valcourt QC
Canada
J0E 2L0

CONTACT US

www.brp.com

Asia

Room 4609, Tower 2,
Grand Gateway 3 Hong Qiao
Road Shanghai,
China 200020

21F Shinagawa East One
Tower
2-16-1 Konan, Minatoku-ku,
Tokyo 108-0075
Japan

Europe

Oktrooiplein 1/402
9000 Gent
Belgium

Itterpark 11
D-40724 Hilden
Germany

ARTEPARC Bâtiment B
Route de la côte d'Azur, Le
Canet
13590 Meyreuil
France

Ingvald Ystgaardsvei 15
N-7484 Tronheim
Norway

Isoaavantie 7
PL 8040
96101 Rovaniemi

Spinnvägen 15
903 61 Umeå
Sweden

Avenue d'Ouchy 4-6
1006 Lausanne
Switzerland

North America

565 de la Montagne Street
Valcourt (Québec) J0E 2L0
Canada

Sa De Cv, Av. Ferrocarril 202
Parque Ind. Querétaro, Lote2-B
76220
Santa Rosa Jáuregui, Qro.,
Mexico

Sturtevant, Wisconsin, U.S.A.
10101 Science Drive
Sturtevant, Wisconsin
53177
U.S.A.

Oceania

6 Lord Street
Lakes Business Park
Botany, NSW 2019
Australia

3B Echelon Place, East Tamaki,
Auckland 2013,
New Zealand

South America

Rua James Clerck Maxwell, 230
TechnoPark Campinas SP
13069-380
Brazil

CHANGE OF ADDRESS/OWNERSHIP

If your address has changed or if you are the new owner of the snowmobile, be sure to notify BRP by either:

- Notifying an authorized BRP snowmobile dealer or distributor.
- **North America Only:** calling at 1 888 272-9222.
- Mailing one of the change of address cards on the following pages at one of the BRP addresses indicated in the *Contact Us* section of this guide.

In case of change of ownership, please join a proof that the former owner agreed to the transfer.

Notifying BRP, even after the expiration of the limited warranty, is very important as it enables BRP to reach the snowmobile owner if necessary, like when safety recalls are initiated. It is the owner's responsibility to notify BRP.

STOLEN UNITS: If your personal snowmobile is stolen, you should notify BRP or an authorized BRP snowmobile dealer. We will ask you to provide your name, address, phone number, the vehicle identification number and the date it was stolen.

This page is
intentionally blank

This page is
intentionally blank

This page is
intentionally blank

This page is
intentionally blank

Model No. _____

VEHICLE

IDENTIFICATION NUMBER (V.I.N.) _____

ENGINE

IDENTIFICATION NUMBER (E.I.N.) _____

Owner: _____
NAME

No. STREET APT

CITY STATE/PROVINCE ZIP/POSTAL CODE

Purchase Date _____
YEAR MONTH DAY

Warranty Expiry Date _____
YEAR MONTH DAY

To be completed by the dealer at the time of the sale.

DEALER IMPRINT AREA

 **WARNING**

Disregarding any of the safety precautions and instructions contained in the Operators's Guide, SAFETY VIDEO and on product safety labels could cause injury including the possibility of death.



®TM AND THE BRP LOGO ARE TRADEMARKS OF BOMBARDIER RECREATIONAL PRODUCTS INC. OR ITS AFFILIATES.
©2021 BOMBARDIER RECREATIONAL PRODUCTS INC. ALL RIGHTS RESERVED.

www.brp.com