



Alpine®

'76 OPERATOR MANUAL



**Recreational
Products Group**

Suggested Retail Price \$1.00
(First copy free with unit purchased)

This manual has been published by the:

TECHNICAL INFORMATION CENTRE
AFTER SALES SERVICE DEPARTMENT
BOMBARDIER LIMITED
VALCOURT, QUEBEC, CANADA

All rights reserved © Bombardier Limited 1975

FOREWORD


Within the North American Continent, there exists a very special breed of people... people who enjoy ice and snow, and the unexcelled trails that lead to virtually every corner of the snowbelt. They enjoy too, the comfort of warm clothing, the friendliness of companions, and the recreational vehicle that made it all possible... the Ski-Doo snowmobile.


We, like millions of North American families, have never forgotten our pioneer heritage, or our love of nature and the great outdoors, consequently, we have designed and engineered all our models with safety, comfort and quietness foremost in our minds. We do respect your desires, and that of others.


This manual was prepared to acquaint the owner/operator of a new 1976 snowmobile with the various vehicle controls, owner-related maintenance, and safe operating instructions.

This is accomplished via two manuals; 'The Snowmobile Safety Handbook' and the 'Operator Manual'. Both are inseparable toward proper use of the product, and should be kept with the vehicle at all times.

Each manual emphasizes particular information denoted by the wording and symbols;

 **WARNING:** Identifying an instruction which, if not followed, could cause personal injury.

 **CAUTION:** Denotes an instruction which, if not followed, could severely damage vehicle components.

 **NOTE:** Indicates supplementary information needed to fully complete an instruction.

Although the mere reading of such information does not eliminate the hazard, your understanding of the information will promote its correct use.

Ride safe and have fun.

MICHEL CLOUTIER,



General Manager
Recreational Product Group

Observe the following precautions:

- Throttle mechanism should be checked for free movement before starting engine.
- Engine should be running only when pulley guard is secured in place.
- Never run engine without drive belt installed. Running an unloaded engine can prove to be dangerous.
- Never run the engine at high R.P.M. when the tracks of the vehicle are raised off the ground.
- It can be dangerous to run engine with the cab removed.
- Gasoline is flammable and explosive under certain conditions. Always perform procedures in a well ventilated area. Do not smoke or allow open flames or sparks in the vicinity. If gasoline fumes are noticed while driving, the cause should be determined and corrected without delay.
- Your snowmobile is not designed to be operated on public streets, roads or highways. In most States and Provinces, it is considered an illegal operation.
- Maintain your vehicle in top mechanical condition at all times.
- Your snowmobile is not designed to be driven or operated on black top, bare earth, or other abrasive surfaces. Abnormal and excessive wear of critical parts is inevitable.
- Only perform such procedures as detailed in this manual. Unless otherwise specified, engine should be turned OFF for all lubrication and maintenance procedures.

Please read and understand all other warnings contained elsewhere in this manual.

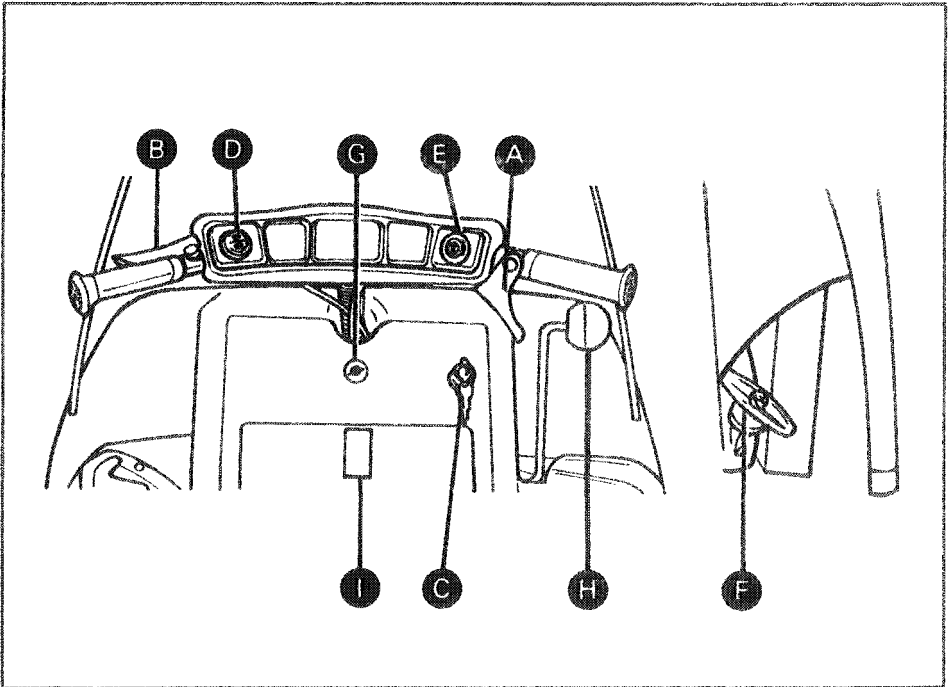
INDEX

CONTROLS / INSTRUMENTS	4
BREAK-IN / INSPECTION	7
FUEL MIXING	7
PRE-START CHECK	9
STARTING PROCEDURE	9
LUBRICATION	11
MAINTENANCE	14
TROUBLE SHOOTING GUIDE	20
STORAGE	22
PRE-SEASON PREPARATION	25
SPECIFICATIONS	26
CONSUMER GUIDE	27
SERVICE AREAS	28
WARRANTY	29

*The following are trademarks of
Bombardier Limited.

BOMBARDIER	ELITE
SKI-DOO	EVEREST
ALPINE	MIRAGE
BLIZZARD	NORDIC
CARRY BOOSE	OLYMPIQUE
ELAN	SKI BOOSE
	T'NT

CONTROLS / INSTRUMENTS



- A) Throttle Control Lever
- B) Brake Control Lever
- C) Ignition / Light Switch
- D) Headlamp Dimmer Switch
- E) Emergency Cut-Out Switch

- F) Manual Starter Handle
- G) Choke
- H) Gear Shift Lever
- I) Access Door Latch

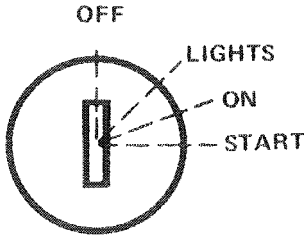
A) Throttle Control Lever

Located on right side of handlebar. When depressed, it controls the **engine speed** and the **engagement of the transmission**. When released, engine speed returns automatically to idle.

B) Brake Control Lever

Located on the left side of handlebar. When depressed, the brake is applied. When released, it automatically returns to its original position. Braking effect is proportionate to the pressure applied on the lever.

C) Ignition / Light Switch



Key operated, 4 position switch. To start engine, turn key fully clockwise to **START** position and hold. Return key to **ON** position immediately engine has started. To stop engine, turn key counter-clockwise to **OFF** position. To illuminate both headlamp and taillight, turn key to **LIGHTS** position.

D) Headlamp Dimmer Switch

The dimmer switch, located on left side of handlebar, allows correct selection of headlamp beam. To obtain high or low beam simply depress switch.

E) Emergency Cut-Out Switch

A push button switch located on right side of handlebar. To stop the engine in an emergency, press button down into **lower** position.

Before re-starting engine always depress button into released **upper** position. The driver of this vehicle should familiarize himself with the function of this device by using it several times on first outing. Thereby being mentally prepared for emergency situations requiring its use.

◆ **WARNING:** If the button has been used in an emergency situation the source of malfunction should be determined and corrected before restarting engine.

F) Manual Starter Handle

Auto rewind type located on right hand side of vehicle. To engage mechanism, pull handle.

G) Choke

A push-pull button. Pull button to engage choke, push to disengage. The choke should always be used for easier cold engine starts. After engine is warm however, it is not necessary to use choke when starting.

H) Gear Shift Lever

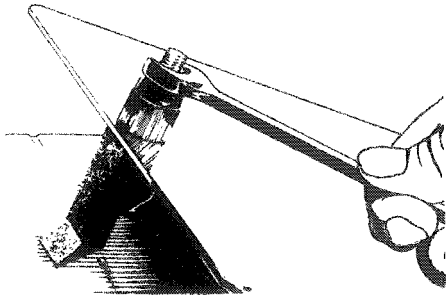
A 2 position, (FORWARD / REVERSE) gear shift lever. Push **up** for forward and **down** for reverse.

▼ **CAUTION: Do not activate gear shift lever while snowmobile is in motion.**

○ **NOTE:** When towing a disabled vehicle, its drive belt must be removed from pulleys and the gear shift lever positioned into forward gear.

I) Access Door Latch

To gain access to the carburetor or spark plugs, lift pressure lock tap and pull open access door.



To adjust locking device turn nut in required direction.

Cab Removal

Unlatch cab by turning both handles toward front of vehicle, remove fuel tank cap, gently lift cab then disconnect junction block at right side of engine. Remove cab from vehicle.

◆ **WARNING: It is dangerous to run engine with cab off. Personal injury could result.**

Seat Compartment

Remove backrest and tilt seat. Ideal location for spare plugs, belt, rope, etc.

Tip

Emergency materials should be wrapped in foam or similar material. This will prevent possible damage to breakable items when travelling over rough or bumpy terrain.

Fuel Gauge

Unscrew fuel tank cap and withdraw dipstick to check fuel level.

◆ **WARNING: Never use a lite match or open flame to check fuel level.**

BREAK-IN PERIOD

With Ski-Doo snowmobile engines, a break-in period is required before running the vehicle at full throttle. Manufacturers' recommendation for the Bombardier-Rotax engine is 10 to 15 operating hours. During this period, a richer mixture is needed (i.e. 40 parts of gas for 1 part of 50 / 1 Ski-Doo oil). Maximum throttle should not exceed $\frac{3}{4}$, however, brief full acceleration and speed variations contribute to a good break-in. Continued wide open throttle accelerations, prolonged cruising speeds, and lugging are detrimental during the break-in period.

INSPECTION

After the break-in period, each Ski-Doo snowmobile must have an inspection check. This inspection is at the expense of the vehicle owner.

FUEL MIXING

Oil must be added to the gasoline in pre-measured amounts then both oil and gasoline should be thoroughly mixed together before fueling the tank.

Recommended Gasoline

The correct gasoline is **regular gasoline**, available from all service stations.



CAUTION: Never experiment with different fuel or fuel ratios. Never use low lead or non leaded gasoline, naphta, methanol or similar products.

Recommended Oil

Use concentrated Ski-Doo oil available from your dealer. This type of oil has specially formulated oil bases to meet the lubrication requirements of the Bombardier-Rotax engine.



CAUTION: Never use outboard or straight mineral oils.

Fuel Mixture Ratio

The importance of using the correct fuel mixture cannot be overstressed. An incorrect fuel ratio results in serious engine damage. Recommended fuel ratio is 50 / 1.

5 gallons recommended gasoline plus 1 can of 50 / 1 concentrated Ski-Doo oil= correct fuel mixture.



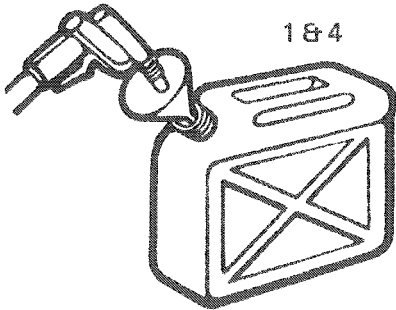
NOTE: To facilitate fuel mixing, oil should be kept at room temperature.

Fuel Mixing Procedure

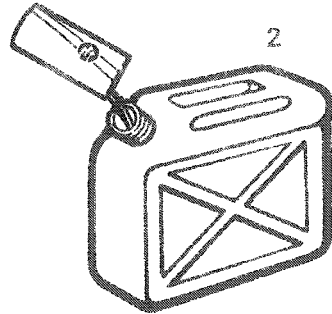
To mix the gasoline and oil always use a separate clean container. Never mix directly in your snowmobile tank. For best results, acquire two containers, either plastic or metal. Draw from one until empty then use the second one.

◆ **WARNING:** Gasoline is flammable and explosive under certain conditions. Always perform procedures in a well ventilated area. Do not smoke or allow open flames or sparks in the vicinity. If gasoline fumes are noticed while driving, the cause should be determined and corrected without delay. Never add fuel while engine is running. Avoid ski contact with fuel at below freezing temperatures.

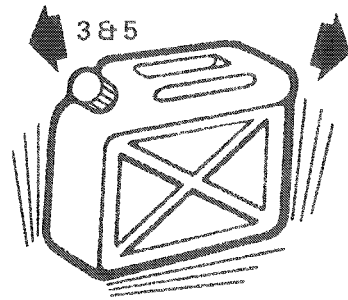
1. Pour approximately one gallon of gasoline into a clean container.



2. Add the full amount of concentrated Ski-Doo oil.



3. Replace container cap and shake the container thoroughly.



4. Add the remainder of the gasoline.
5. Once again thoroughly agitate the container. Then using a funnel with a fine mesh screen to prevent the entry of water and foreign particles, transfer mixture from container into the snowmobile tank.

○ **NOTE:** When using pre-mixed fuel, always shake the container thoroughly as the oil has a tendency to settle.

◆ **WARNING:** Never 'top up' gas tank before placing the vehicle in a warm area. At certain temperatures, gasoline will expand and overflow.

PRE-START CHECK

Fuel Tank Quantity

Check that there is sufficient fuel in the tank for your trip. A good habit to acquire is to refill the tank before starting out each day.

Steering Operation

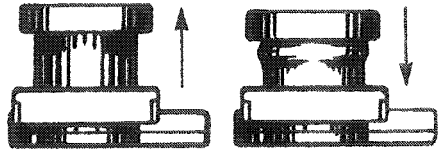
Check operation of steering mechanism by moving ski by hand from side to side. If roughness or binding is felt, check for ice or snow that may be blocking the mechanism.

Throttle and Brake

Depress and release control levers several times to check that they operate easily and smoothly. The throttle lever should return to the idle position when released. The brake should fully apply before the brake control lever touches the handlebar grip. If the control levers do not operate freely, do not start your vehicle, see your dealer.

◆ **WARNING:** Throttle and brake mechanisms should be checked for free movement before starting engine. Once all components are checked and functioning properly, you can start your Ski-Doo snowmobile.

STARTING PROCEDURE



Upper position
before starting
engine.

Lower position
to stop engine.

1. Insert key in ignition switch.
2. Test throttle control lever and engage choke.
3. Make sure the emergency cut-out button is in the released upper position.
4. Turn ignition key clockwise until starter engages. If engine does not start on first try, key must be turned fully back to OFF each time.

◆ **WARNING:** Do not apply throttle while starting.

5. Release key immediately engine has started then disengage choke.

▼ **CAUTION:** Never operate your snowmobile with the battery removed or disconnected.

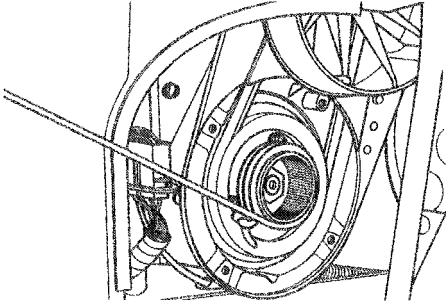
6. Check operation of the emergency cut-out switch then restart engine.

◆ **WARNING:** If engine does not cut-out, do not operate the vehicle, see your dealer.

7. Allow the engine to warm before operating at full throttle. If for some reason, the vehicle cannot be started electrically, place ignition key to ON position and start engine manually.

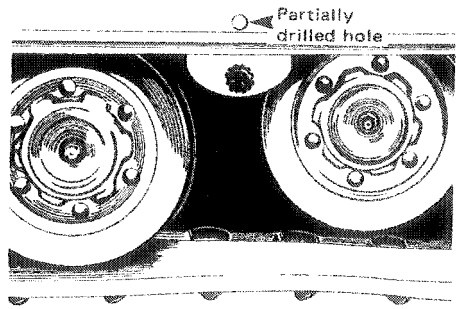
Emergency Starting

Should the rewind starter rope fray and break, remove starter unit using tool supplied with the vehicle. Transfer rope handle to your emergency rope. Make a knot at the end of emergency starter rope and wind rope around rewind starting pulley. Pull vigorously as per usual manual starting.



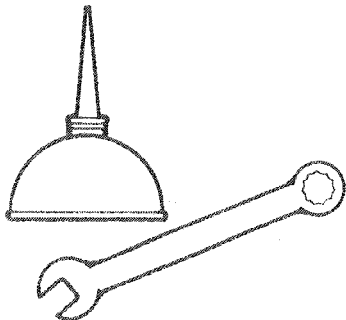
Driving tips

By raising the outer attachment of the bogie wheel sets vehicle maneuverability in deep snow will increase. You will note that there are partially drilled holes located approx. 1-3/8" above the original cross shaft holes of the frame. To reposition bogie wheel sets, drill holes fully through using a 5/16" dia. drill. Remove capscrews securing bogie wheel cross shafts to frame and reinstall bogie wheels in new position.



○ NOTE: Once holes have been drilled, the bogie wheel set position is inter-changeable.

Frequency



Routine maintenance is necessary for all mechanized products, and the snowmobile is no exception. A weekly vehicle inspection contributes to the life span of the snowmobile as well as safe and trouble-free operation.

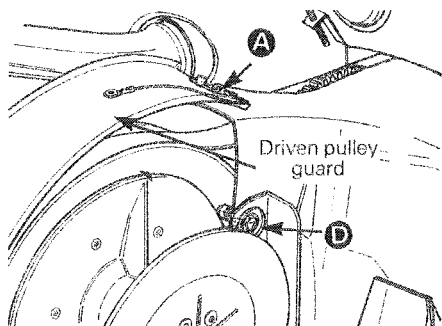
It is recommended that the steering system and suspension, be lubricated monthly or every 40 hours of operation. If the vehicle is operated in wet snow or in severe conditions these items should be lubricated more frequently.

◆ **WARNING:** Only perform such procedures as detailed in this manual. Unless otherwise specified, engine should be turned OFF for all lubrication and maintenance procedures.

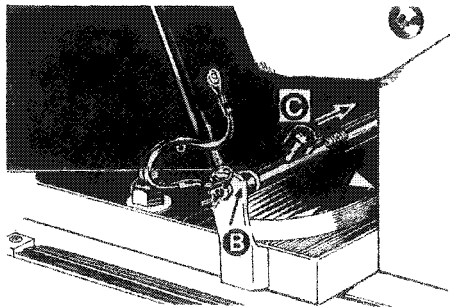
Pulley Guard Removal

◆ **WARNING:** Engine should be running only when pulley guard is secured in place.

1. Remove cab. Pull out retaining clip (A) and tilt driven pulley guard toward front of vehicle.



2. Pull out retaining clip (D) to disengage pin from bracket.

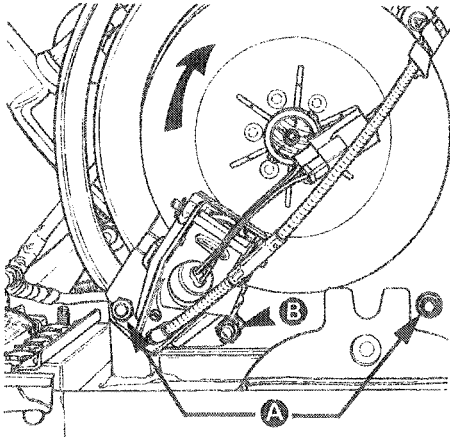


3. Move pulley guard toward front of vehicle to disengage it from front bracket.

Drive Belt Removal

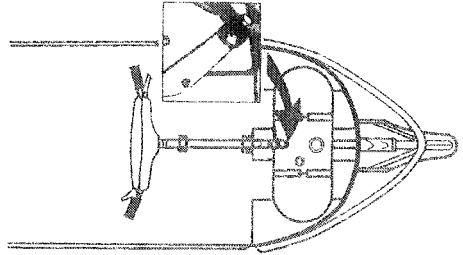
◆ **WARNING:** Never start or run engine without drive belt installed. Running an unloaded engine is dangerous.

Remove cab and pulley guard. Remove the two bolts (A) holding disc brake to the frame. Loosen nut (B) to separate brake caliper from disc brake bracket. Pivot the brake bracket assembly half a turn. Open the driven pulley. Twist and push the sliding half then hold in open position. Slip the belt out from the drive pulley and remove from vehicle by passing it under the driven pulley and disc brake assembly. To install drive belt follow reverse procedure.



Steering Mechanism

Using light machine oil, lubricate the spring located on top of steering column housing. Allow oil to run in. Oil the mobile contact point at bottom end of steering arm. Using a small brush, dipped in low temp grease, lubricate steering arm ball joint.

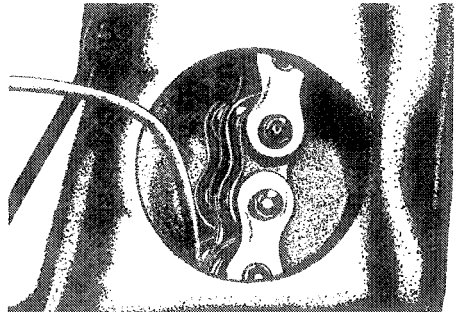


Grease the ski leg at grease fitting until new grease appears at the joint. Lubricate spring coupler bolt with oil.

Gearbox Oil Level

The gearbox oil capacity is 16 ozs. To check level:

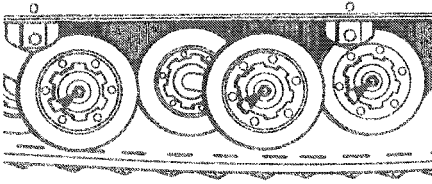
1. Remove rubber inspection cover located on bottom right side of gearbox.
2. Using a rigid piece of wire as dipstick, check oil level. Oil level must reach $3\frac{1}{4}$ " on dipstick.



To fill, remove filler cap from top of gearbox. Refill as required using Ski-Doo chaincase oil.

Bogie Wheels

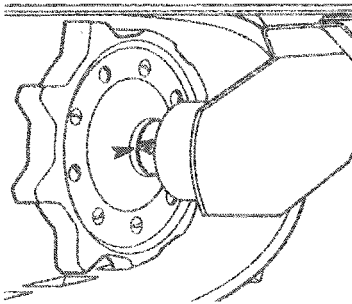
Grease the suspension bogie wheels with low-temperature grease. Pump through the grease fitting at the center of each wheel until new grease appears at the joint of inner side of shaft.



To grease the inner side bogie wheels, tilt vehicle on its side and apply pressure on track to expose grease fittings.

Rear Axles

Lubricate the rear axles with low-temperature grease. Pump grease through the rear axle fittings.



▼ **CAUTION:** Always use a low-pressure grease gun.

Driven Pulley

With cab removed, grease the driven pulley shaft as follows:

1. Remove pulley guard and slip off drive belt. Open the driven pulley, (push and twist sliding half).
2. Thoroughly clean the driven pulley shaft.
3. Apply a light coat of low-temp grease on the shaft. Always lubricate lightly and wipe off surplus.

○ **NOTE:** Activate the sliding half several times to distribute lubricant over full length of shaft. Be careful that lubricant does not get on inner halves of pulley.

The following Maintenance Chart indicates regular servicing schedules to be performed by you or your servicing dealer. If these services are performed as suggested, your snowmobile will give you many years of low-cost use.

WARNING: Only perform such procedures as detailed in this manual. Unless otherwise specified, engine should be turned OFF for all lubrication and maintenance procedures.

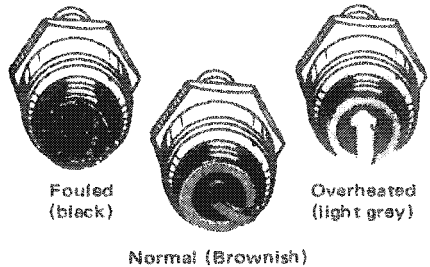
Code	Weekly	Page
W1	Spark plugs	14
W2	Battery	15
W3	Suspension	15
W4	Tracks	15
W5	Track tension and alignment	15
W6	Carburetor adjustment	16
W7	Drive belt	17
W8	Steering mechanism	17
W9	Drive chain tension	17

Code	Monthly	Page
M1	Brake	18
M2	Steering adjustment	18
M3	Engine head nuts	19
M4	Engine mount nuts	19
M5	Muffler attachment	19
M6	Fan belt	19
M7	Vehicle general inspection	19
	Headlamp adjustment	19

(W1) Spark Plugs

Open access door. Disconnect spark plug wires and remove plugs. Check condition of plugs.

- A brownish tip reflects ideal conditions. (Correct carburetor adjustment, spark plug heat range, etc.).
- A black insulator tip indicates fouling caused by; carburetor idle speed mixture and / or high speed mixture too rich, incorrect fuel mixing ratio, wrong type of spark plug (heat range), or excessive idling.
- A light grey insulator tip indicates a lean mixture caused by; carburetor high speed mixture adjusted too lean, wrong spark plug heat range, incorrect fuel mixture ratio, or a leaking seal or gasket.

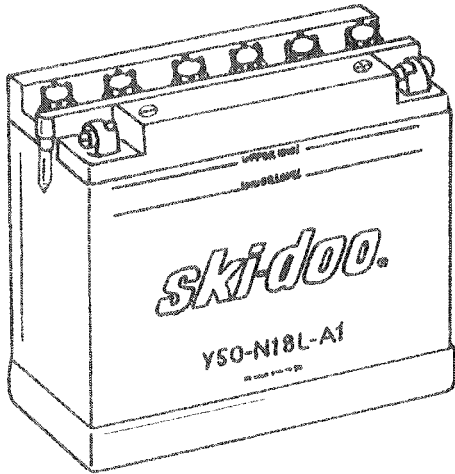


Check spark plug gap using a wire feeler gauge. Gap must be .020" (0.50 mm).

Reinstall plugs and connect wires.

(W2) Battery

Check electrolyte level. Electrolyte level must be at upper level line on battery casing.



If necessary add distilled water. Battery connections must also be free of corrosion. If cleaning is necessary, remove corrosion using a stiff brush then clean with a solution of baking soda and water. Rinse and dry well.

CAUTION: Do not allow cleaning solution to enter battery. It will destroy the chemical properties of the electrolyte.

After reconnecting battery, coat battery terminals and connectors with petroleum jelly to prevent corrosion. Check that battery is well secured and that battery overflow tube is not blocked or kinked.

WARNING: Overflow tube must be free and open. A kinked or bent tube will restrict ventilation and create gas accumulation that could result in an explosion. Avoid skin contact with electrolyte.

(W3) Suspension

Visually inspect suspension springs. Replace any weak or broken spring.

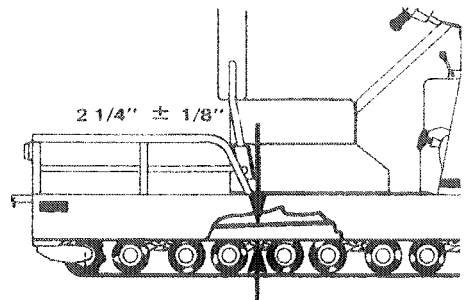
(W4) Tracks

Lift rear of vehicle and support it off the ground. Place gear shift lever in forward position. With engine off, rotate tracks by hand and inspect condition. If bad cuts or missing track inserts are noted, see your dealer.

○ **NOTE:** Without these inserts continual abrasion would wear and cut the track therefore, always replace a missing or damaged insert as soon as possible.

(W5) Track Tension and Alignment

Lift the rear of vehicle and support it off the ground. Using a rule, check track tension at the second set of bogie wheels from rear.

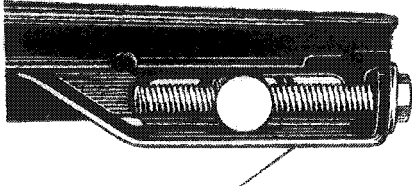


The tension of each track should be $2\frac{1}{4}'' \pm 1/8''$ between top inside edge of track and bottom of footboard.

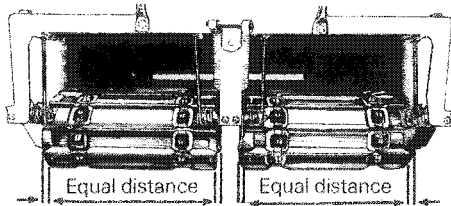
To adjust track use the following procedure:

Loosen link plate spring lock nuts (4) located on inner side of link plate springs.

Turn adjuster bolts clockwise to tighten tracks, counter-clockwise to slacken.



Start engine and allow tracks to rotate **slowly**. Check if tracks are well centered and turn evenly on the rear sprockets. The distance between track edges and link plates should be equal.



To correct:

Turn inner side adjuster bolt(s) counter-clockwise to bring track closer to center link plate(s), turn clockwise to withdraw track(s) from link plate(s).

Tighten link plate spring lock nuts.

Rotate tracks slowly and recheck alignment.

◆ **WARNING:** Before checking track alignment, ensure that the track is free of all particles which could be thrown out while track is rotating. Keep hands, feet, tools and clothing clear of track.

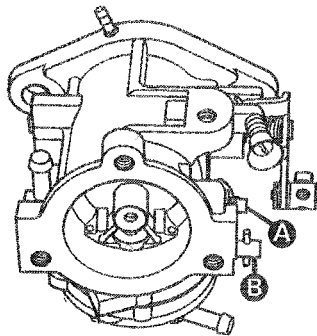
(W6) Carburetor Adjustment

The carburetor mixture adjustments are: Low Speed Mixture, and High Speed Mixture.

A) Low Speed Mixture Adjustment

Turn Low Speed Mixture Screw fully clockwise until closed. Back off screw 1-1/8 turn (+ 1/4 -0) counter-clockwise.

○ **NOTE:** Do not close screw too tightly as screw and / or seat can be damaged.



B) High Speed Mixture Adjustment

Turn High Speed Mixture Screw fully clockwise until closed. Back off screw one (1) turn (+ $\frac{1}{4}$ - 0) counter-clockwise.

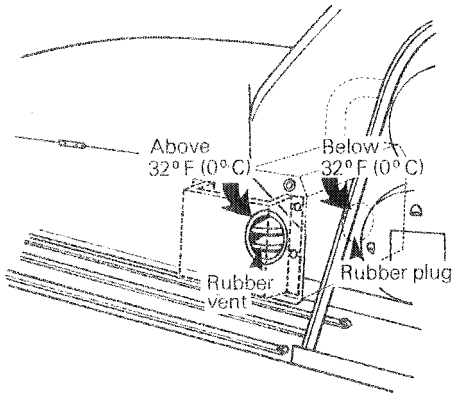
◆ **WARNING:** A final High Speed Mixture Adjustment must be carried out only by an authorized Ski-Doo dealer.

○ **NOTE:** Do not close screw too tightly or screw and / or seat can be damaged.

Air Silencer Box

▼ **CAUTION:** Never operate your snowmobile with the tube of the air silencer box disconnected. Serious engine damage will occur if this notice is disregarded.

When operating the vehicle in temperature exceeding 32° F. (0° C.), the rubber plug must block the engine side orifice and the rubber vent must be positioned on the side of the silencer box to allow cold air circulation.



If temperatures below 32° F. (0° C.) the rubber plug must block the entry of fresh air and the rubber vent must allow the warm air being emitted from the engine to be directed over the carburetor.

▼ **CAUTION:** Observe temperature changes and locate plugs accordingly. Incorrect location of plugs may cause carburetor ice-up or engine overheating.

(W7) Drive Belt

Inspect belt for cracks, fraying or abnormal wear (uneven wear, wear on one side, etc.). If abnormal wear is noted, probable cause is pulley misalignment. Contact your dealer. Check drive belt width, drive belt width should not be less than 1- $\frac{3}{16}$ " (3 cm) wide.

○ **NOTE:** When installing a new drive belt, a break-in period of 10-15 miles is strongly recommended.

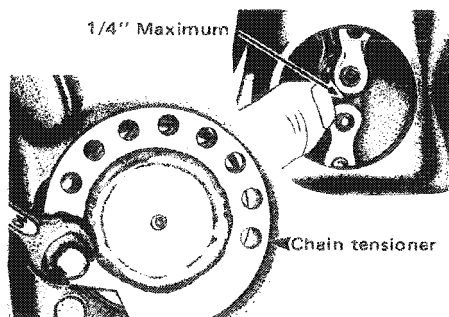
(W8) Steering Mechanism

Inspect steering mechanism for tightness of components (steering arm, ball joint, etc.). If necessary, replace or retighten. Check condition of ski and ski runner. Replace if worn.

(W9) Drive Chain Tension

Run vehicle forward so that true free-play can be taken. Check tension then turn driven pulley $\frac{1}{2}$ turn counter-clockwise and recheck. Starting from maximum reading, adjust chain tension to $\frac{1}{4}$ " (6 mm) free-play.

Remove capscrew locking chain tensioner in place. (Tensioner is located at bottom left of gearbox).



Rotate the tensioner as required to obtain correct chain tension.

Replace capscrew to lock chain tensioner in place.

IMPORTANT: If the vehicle is used to carry or pull heavy loads, it is advisable to change the gear ratio. Contact your dealer for optional gears.

(M1) Brake

The brake mechanism is self-adjusting, therefore, periodic adjustment is not required. However, the brake mechanism can be checked by depressing brake control lever. Brake should apply fully when lever is $\frac{1}{2}$ " approx. from handlebar grip. If it does not, do not tamper with the brake, contact your servicing dealer. Check the stop light to see if it functions. If necessary, readjust switch position.

◆ **WARNING:** Brake pucks less than $\frac{3}{16}$ " must be replaced. Replacement must be performed by an authorized Ski-Doo dealer. Always check the stop light to see if it functions.

(M2) Steering Adjustment

Ski should be perpendicular to handlebar. To align:

Remove bolt securing handlebar to steering column.

Remove handlebar to expose splined end of steering column.

Reposition handlebar on splines so that it is perpendicular with ski. Install and tighten bolt to 30-35 ft / lbs.

○ **NOTE:** If correct spline alignment is unobtainable at handlebar, move lower steering bracket to obtain proper location. (Lower steering bracket holes are slotted).

(M3) Engine Head Nuts

After the first 5 hours of operation, check that engine head nuts are tight and equally torqued (13 to 17 ft / lbs when engine is cold).

(M4) Engine Mount Nuts

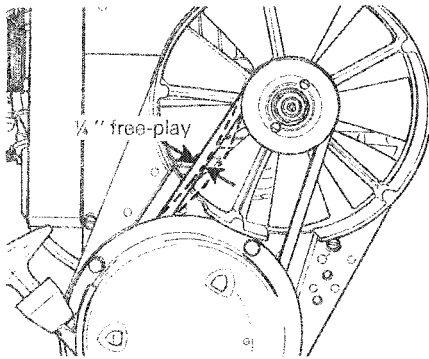
Check engine mount nuts for tightness. Retighten if necessary.

(M5) Muffler Attachment

The engine / muffler attaching parts are vital toward efficient muffler function. Check all attachments. Replace springs and / or tighten if necessary.

(M6) Fan Belt

Inspect belt for cracks, uneven wear, etc. Check fan belt tension, $\frac{1}{4}$ " free-play should exist when deflection is correct.



If belt seems damaged or if tension is incorrect, contact your dealer immediately.

◆ **WARNING:** If fan protector is removed, always reinstall after servicing.

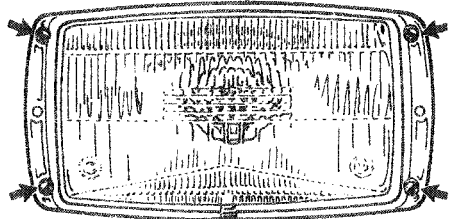
(M7) General Inspection

Check electrical wiring and components, retighten loose connections. Check for stripped wires or damaged insulation. Thoroughly inspect the vehicle and tighten loose bolts, nuts and linkage. Inspect ski and ski runner for wear.

Headlamp

The angle of the headlamp beam has been pre-adjusted prior to delivery. Should you wish re-adjustment, proceed as follows:

If applicable, remove headlamp chrome ring. Turn upper or lower adjusting screws to obtain desired beam position.



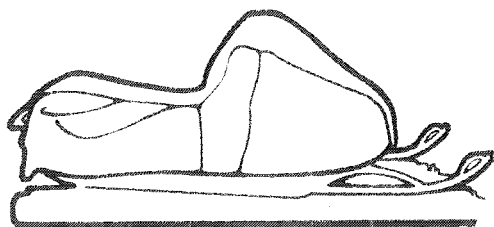
Bulb Replacement

If headlamp is burnt, remove cab. Unplug connector from headlamp. Remove rubber boot and unfasten bulb retainer clips. Detach bulb and replace. If taillight bulb is burnt, expose bulb by removing red plastic lens. To remove, unscrew the two (2) Phillips head screws. Verify all lights after replacement.

TROUBLE SHOOTING

SYMPTOMS	POSSIBLE CAUSES	WHAT TO DO
<p>Engine turns over but fails to start or starts with difficulty</p>	<p>1. No fuel to the engine</p>	<p>Check the tank level and fill up with correct gas-oil mixture. Check for possible clogging of fuel line, item 5.</p>
	<p>2. Spark plug</p>	<p>Check for fouled or defective spark plug. Disconnect spark plug wire, unscrew plug and remove from cylinder head. Reconnect wire and ground exposed plug on engine cowl, being careful to hold away from spark plug hole. Follow engine starting procedure and check for spark. If no sparks appear, replace spark plug. If trouble persists, check item 3.</p>
	<p>3. Faulty ignition</p>	<p>Disconnect spark plug wire from plug, unscrew the spark plug cap then hold wire about 1/8" from the cylinder head. Follow engine starting procedure and if no sparks appear, it means a faulty ignition system. Do not attempt to repair. Contact your dealer.</p>
	<p>4. Flooded engine</p>	<p>Remove wet spark plugs, turn ignition to OFF and crank engine several times. Install clean dry spark plugs. Start engine following usual starting procedure. If engine continues to flood, see your dealer.</p>
	<p>5. Clogged fuel line (water or dirt)</p>	<p>Remove and clean the fuel filter. Change filter cartridge if necessary. Check condition and connections of fuel lines. Check the cleanliness of fuel tank.</p>
	<p>6. Faulty carburetor</p>	<p>First make primary adjustments on carburetor. (See Maintenance Section). If carburetor is still faulty, contact your dealer for repair.</p>
	<p>7. Too much oil in fuel</p>	<p>Drain the fuel tank and refill with the correct gas / oil mixture.</p>
	<p>8. Engine timing</p>	<p>Engine timing may be defective or out of adjustment. Contact your dealer.</p>
	<p>9. Poor engine compression</p>	<p>Running with a lean fuel mixture may produce excessive engine wear resulting in poor engine compression. If this occurs, contact your dealer at once.</p>
<p>Engine will not turn manually</p>	<p>1. Seized engine</p>	<p>In the case of a seized engine contact your dealer. Seizure is a direct result of poor lubrication.</p>

SYMPTOMS	POSSIBLE CAUSES	WHAT TO DO
Engine lacks acceleration or power	1. Fouled or defective spark plug	Check item 2 of "Engine turns over but fails to start or starts with difficulty"
	2. Clogged fuel line (water or dirt)	Check fuel line condition. (See item 5 of "Engine turns over but fails to start or starts with difficulty").
	3. Carburetor	Readjust the carburetor. (See Maintenance section). If trouble persists, contact your dealer.
	4. Faulty ignition	First check item 2 and 3 of "Engine turns over but fails to start or starts with difficulty". If the ignition system still seems faulty, contact your dealer.
	5. Engine	If unable to locate specific symptoms, contact your dealer.
Engine continually backfires	1. Faulty spark plug	Check item 2 of "Engine turns over but fails to start or starts with difficulty".
	2. Overheated	Carburetor set too lean. Contact your dealer.
	3. Engine timing incorrectly set	Contact your dealer.
Snowmobile cannot reach full speed	1. Drive belt	Check for damaged or worn drive belt. Replace if necessary.
	2. Incorrect track adjustment	Check track tension and alignment. Readjust to specifications. (See Maintenance Section).
	3. Faulty engine	Check item 1 to 5 of "Engine lacks acceleration or power".
	4. Pulley misaligned	Contact your dealer.



It is during summer, or when a vehicle is not in use for any length of time that proper storage is a necessity. Storage of the snowmobile during long periods of inactivity consists of checking and replacing missing, broken or worn parts: proper lubrication and treatments to insure that parts do not become rusted; cleaning items such as carburetor of oil mixtures, to prevent gum varnish formation within the carburetor; and in general, preparing the vehicle so that when the time comes to use the snowmobile again it will start and be in top condition.

◆ **WARNING:** Only perform such procedures as detailed in this manual. Unless otherwise specified, engine should be turned OFF for all lubrication and maintenance procedures.

Tracks

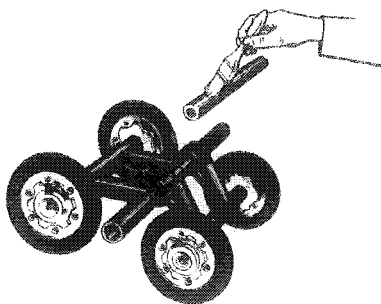
Inspect tracks for cuts, missing track inserts or broken rods and make any necessary replacement. Lift rear of vehicle until tracks are clear of ground then support with brace or trestle. The snowmobile should be stored in such a way that the tracks do not stay in contact with cement floor or bare ground.

○ **NOTE:** The tracks should be rotated periodically. (every 40 days). Do not release track tension.

Suspension

Remove the bogie wheel sets from the vehicle. Remove cross shaft from bogie wheel set. Clean bogie wheel assembly and cross shaft of dirt or rust. Grease

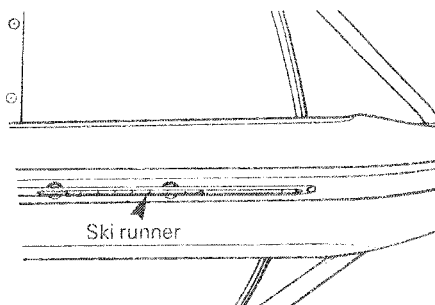
each bogie wheel until all old grease is flushed out. Spray bogie wheel springs with metal protector. If unavailable, wipe with cloth or rag soaked in oil. Check condition of shaft and replace if bent or worn. Apply a coat of low temp. grease on cross shaft.



Reassemble entire bogie wheel set, making sure assembly moves freely. Reinstall bogie wheel set. Repeat above steps on remaining bogie wheel sets. Lubricate rear hubs through grease fittings.

Ski Assembly

Wash or brush all dirt or rust accumulation from ski and spring. Grease ski leg at grease fitting. Check condition of ski runner. Replace if worn. Apply metal protector on ski assembly. If unavailable, wipe the entire ski with a cloth soaked in oil to prevent rust formation.



Fuel Tank

Remove cap then using a siphon, remove gasoline from tank.

◆ **WARNING:** Gasoline is flammable and explosive under certain conditions. Always perform procedures in a well ventilated area. Do not smoke or allow open flames or sparks in the vicinity.

Carburetor

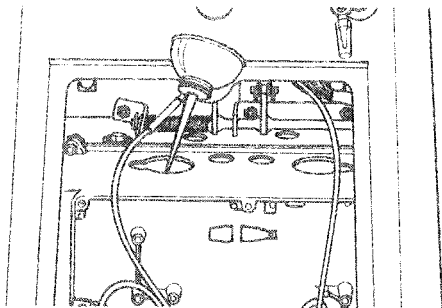
The carburetor must be dried out completely to prevent gum formation during storage period. Assure that fuel lines are disconnected then start the engine and run it out of gas. Disconnect the air silencer tube, engage choke then pack the carburetor throat with a clean piece of cloth and turn the engine a few more times. The suction should eliminate the remaining fuel. Connect air silencer tube and fuel lines.

Cylinder Lubrication

Engine internal parts must be lubricated to protect cylinder walls from possible rust formation during the storage period.

○ **NOTE:** This operation should be repeated every 40 days during storage.

Remove spark plug, operate rewind starter to bring piston at top position. Pour the equivalent of one spoonful of oil into spark plug hole.

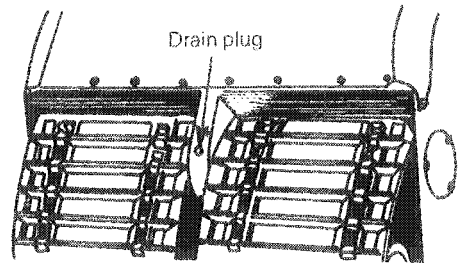


Slowly crank engine several times using manual starter. Repeat above steps for other cylinder. Install spark plugs.

▼ **CAUTION:** To prevent ignition system damage, make sure that the cut-out button is in the lower position.

Gearbox

Drain gearbox and refill with 16 ozs. of fresh Ski-Doo chaincase oil. (Drain plug is located beneath frame).



Controls

Lubricate steering mechanism. Inspect components for tightness, spring coupler bolt, steering arm locking bolt, ball joint, etc.). Tighten if necessary. Oil moving joints of brake mechanism.

◆ **WARNING:** Do not lubricate throttle and / or brake cable or housing. Avoid getting oil on lining(s).

Coat electrical connections and switches with a greaseless metal protector. If unavailable, use petroleum jelly.

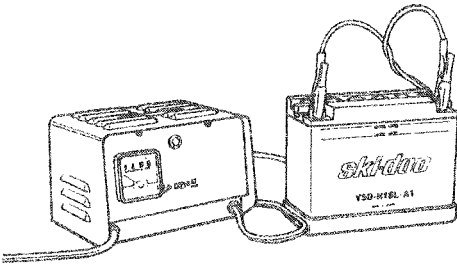
Driven Pulley

Remove cab and drive belt. Thoroughly clean the driven pulley shaft. Apply a light coat of low-temperature grease on shaft. Activate the sliding half several times to distribute lubricant. Spray internal pulley surfaces with Ski-Doo metal protector.

○ **NOTE:** Leave drive belt off during entire storage period.

Check electrolyte level. Refill if necessary with distilled water. Fully charge battery. (A stored battery should be recharged at least every 40 days).

◆ **WARNING:** Gases given off by a battery being charged are highly explosive. Always charge in a well ventilated area. Keep battery away from cigarettes or open flames. Avoid skin contact with electrolyte.



Coat battery terminals with petroleum jelly and store unit in a cool, dry place.

Chassis

Clean the vehicle thoroughly, removing all dirt and grease accumulation.

▼ **CAUTION:** Plastic alloy components such as windshield, console, etc., can be cleaned using mild detergents or isopropyl alcohol. Do not use strong soaps, degreasing solvents, abrasive cleaners, paint thinners, etc.

Inspect cab and repair damage. Repair kits are available at your authorized Ski-Doo dealer.

Touch up all metal spots where paint has been scratched off. Spray all bare metal parts of vehicle with metal protector. Wax the cab for better protection.

○ **NOTE:** Apply wax on glossy finish of cab only. Protect the vehicle with a Ski-Doo cover to prevent dust accumulation during storage.

General Inspection

Check electrical wiring and components, retighten loose connections. Check for stripped wires or damaged insulation. Thoroughly inspect the vehicle and tighten loose bolts, nuts and linkage.

○ **NOTE:** Leave drive belt off pulleys for the entire storage period.

PRE-SEASON PREPARATION

Pre-Season Preparation

Snow is falling and if you have observed and adhered to the storage procedures outlined in this manual, your vehicle preparation becomes a relatively easy task.

To simplify the pre-season preparation we have drawn up a small chart. The chart indicates servicing points to be performed by you and your servicing dealer. If these services are performed as suggested, your vehicle will give you many hours of fun and low cost use.

IMPORTANT: Observe all Warnings and Cautions mentioned throughout this manual which are pertinent to the item being checked. When component conditions seem less than satisfactory, replace with genuine Bombardier parts.

PRE-SEASON PREPARATION CHART

To be performed by dealer ●	
To be performed by owner ○	
Change spark plugs	○
Check gear box oil level	○
Check pulleys, clean and check wear pad condition of drive pulley	●
Check steering adjustment	○
Replace fuel filter	○
Connect fuel lines and check attaching points	○
Check track tension and alignment	○
Lubricate suspension	○
Inspect drive belt and install	○
Check throttle cable for damage and free operation	○
Inspect brake condition and operation	○
Inspect oil seals for possible cuts or leaks	●
Test battery clean and install	●
Set engine timing, if necessary, replace breaker points	●
Check electrical wiring (broken wire, damaged insulation)	○
Inspect condition of starting rope	○
Check tightness of all bolts, nuts and linkage	○
Refill gas tank	○
Adjust carburetor	●
Check fan belt condition and tension	●

SPECIFICATIONS

ALPINE	840ER	
Engine	Number of cylinders	2
	Bore	2.992" (76 mm)
	Stroke	2.755" (70 mm)
	Displacement	38.76 cu. in. (635.1 cc)
	Compression ratio	9:1
	Carb. (Tillotson)	HRM
	Starting	Electric
Chassis	Overall length	113 1/2" (288.29 cm)
	Overall width	35" (88.90 cm)
	Height	39 3/4" (99.80 cm)
	Height w / o windshield	47 1/2" (120.01 cm)
	Weight	620 lbs. (281.3 kg)
	Seating area	2160 sq. in. (13,955.45 sq. cm.)
	Ground pressure	.287 lb / sq. in. (20.2 gr / sq. cm.)
Power Train	Track width	2 x 16" (38.1 cm)
	Std. gear ratio	17 / 38
Electrical system	Lighting system (output)	140W
	Headlamp bulb	60W
	Tail / stop light bulb	6 / 23W
	Spark plug (Bosch)	M-225-T-1
	Spark plug gap	.020"
Fuel	Advances ignition timing	.148" - .196" (3.71 mm - 4.22 mm) B. I. D. C.
	Tank capacity — U.S.	6.25 gals.
	— Imp.	5 gals
	— Metric	22.73 liters
	Gasoline	Regular
Brake	Gas / oil ratio	50 / 1
	Type	Disc self-adjusting

All information, illustration and component / system description contained in this manual are correct at the time of publication. However, Bombardier Limited reserves the right to make changes in design and specifications and / or to make additions to, or improvements in its product without imposing any obligation upon itself to install them on its products previously manufactured.

WHEN YOU BUY

Our product, you will receive:

SERVICE - from the product itself.

SERVICE - from the dealer who sells the product.

IF...

The product or service is unsatisfactory: Return to your dealer's service department and discuss the details of the problem with the manager. He is in a position to help you with most maintenance and service needs. If the matter cannot be resolved, he may want to bring the Sales or the General Manager into the discussion.

IF...

The dealer cannot solve the problem, you may want to write to your nearest area distributor listed on the following page.

TELL HIM THE FACTS

List:

- Model and serial number.
- Date of purchase.
- Name and address of your selling dealer.
- Your name, address and phone number.

Describe what's wrong. Please be specific. The matter will receive immediate attention from the distributor's service department.

HOWEVER...

At this point your grievance still remains unresolved, you may write to:

BOMBARDIER LIMITED
CUSTOMER RELATIONS CENTER,
RECREATIONAL PRODUCTS GROUP,
VALCOURT, QUEBEC,
CANADA, J0E 2L0

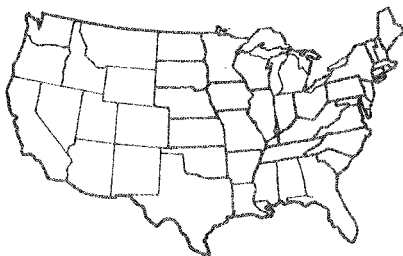
Please provide all necessary details (including the names of persons previously contacted).

Your problem will be reviewed then instructions will be provided to the person directly responsible for product service in your area; or we will contact you directly.

Please remember, the best person to help you is yourself...

Give it a try!

SERVICE AREAS



CANADIAN DISTRIBUTORS

ALPINE DISTRIBUTORS 3206 - 28th Avenue, Vernon, B. C.	British Columbia
BOMBARDIER LIMITED EASTERN CANADA DISTRIBUTION DIVISION (Atlantic Branch) P.O. Box 670 Shediac, N.B.	Prince Edwards Island Magdalen Island Nova Scotia New Brunswick
BOMBARDIER LIMITED EASTERN CANADIAN DISTRIBUTION DIVISION (Quebec Branch) 1350 Nobel, Boucherville, Que.	Quebec East of Ontario
BOMBARDIER (ONTARIO) LTD 28 Currie St, Barrie, Ont.	Ontario (less East of province)
BROOKS EQUIPMENT LTD 1616 King Edward St. P.O. Box 995, Winnipeg R3C 2U8, Man.	Manitoba Saskatchewan
HUDSON'S BAY CO. 121 Richmond West, Toronto, Ont.	North-West Territories Franklin District & Keewatin
J.W. RANDALL LIMITED P.O. Box 757, Corner Brook Newfoundland	Newfoundland Labrador
TRACT EQUIPMENT LTD 14325 - 114th Ave., Edmonton, Alta.	Yukon Alberta

AMERICAN DISTRIBUTORS

CRAIG TAYLOR EQUIPMENT CO. P.O. Box 3338, Anchorage, Alaska 99501	Alaska
ELLIOTT & HUTCHINS INC. East Main Street Road, Malone, New York 12953	Massachusetts Connecticut Rhode Island Pennsylvania New Jersey Maryland
TIMBERLAND MACHINES INC. 10 Main St. North, Lancaster, New Hampshire 03854	Delaware District of Columbia Virginia
BOMBARDIER CORPORATION 325 South Lake Avenue, Duluth 2, Minn. 55802	Maine New Hampshire Vermont
BOMBARDIER WEST INC. 609 West Broadway, Idaho Falls, Idaho 83401	North Dakota South Dakota Minnesota Wisconsin Iowa Illinois Missouri Michigan Indiana Ohio Tennessee Kentucky W. Virginia
	California Nevada Montana Idaho Wyoming Utah Colorado New Mexico Arizona Kansas Nebraska Washington Oregon

We recommend you contact your local Authorized Ski-Doo dealer when your Ski-Doo snowmobile requires service. However, for further inquiries, you may contact your Regional Distributor.

SKI-DOO® WARRANTY (LIMITED)

1976 ALPINE® SNOWMOBILE WARRANTY

Bombardier Limited (Bombardier) as manufacturer, warrants every 1976 Alpine® model, sold as a new vehicle, by an authorized Ski-Doo dealer, to be free from defects in material and workmanship under normal use and service, for a period of ninety (90) days subject to the following coverage period:

1. Beginning no sooner than from the date of delivery for a period of ninety (90) consecutive days.
2. If delivery is taken after March 31st of a given year but before the 1st day of December of the same year, the warranty will start on December 1st following the date of sale.
3. If delivery is taken on or after January 2nd of the same year, the warranty will begin on the delivery date till the following March 31st and any portion unused of the 90 day period will be carried over to the next winter season, beginning the 1st day of December.

If defective, Bombardier obligation is strictly limited to the repair and / or replacement at its option, and such repair or replacement is valid only at an authorized dealer in Canada or in the United States.

CONDITIONS FOR WARRANTY VALIDITY

- Proof of ownership submitted to the servicing dealer, by means of the Ski-Doo Customer Warranty Registration Card.
- An inspection of the vehicle must be performed by an authorized dealer after ten (10) hours of use or no later than thirty (30) days after first use. Such inspection will be at the owner's expense. (The time for such an inspection should be approximately two (2) hours).
- Proper maintenance; to be performed at owner's expense.

Guidelines for proper use and maintenance are detailed in each Operator Manual.

EXCLUSIONS: non-warrantable

- Variable speed drive belt, windshield, filters, spark plugs, ignition breaker points, condensers, light bulbs, protective lenses, brake linings, ski runner shoe, labels, soft trim, appearance items, lubricants and paints and all tune-ups and adjustments required.
- Defects resulting from accident and / or installation of parts other than genuine Bombardier parts.
- Any losses incurred to the vehicle owner other than parts and labour.
- Any damage or premature wear incurred as a result of operating the snowmobile on other than snow covered terrain.

This warranty is expressly in lieu of all other expressed or implied warranties of Bombardier, its distributors and the selling dealer, including any implied warranty of merchantability of fitness for any particular purpose.

Neither the distributor, the selling dealer nor any other person has been authorized to make any affirmation, representation or warranty other than those contained in this warranty and if made, such affirmation, representation or warranty shall not be enforceable against Bombardier or any other person.

April 1975
BOMBARDIER LIMITED
Valcourt, Quebec, Canada, JOE 2L0

INDIVIDUAL WARRANTY RESPONSIBILITIES

The following has been prepared for ease of understanding the actual warranty policy. In no manner, way or form should these responsibilities be misconstrued as being the actual terms of the current warranty policy.

The Manufacturer will:

- Produce a quality vehicle.
- Comply with safety / engineering standards.
- Make available replacement parts.
- Provide dealer / mechanic training and repair procedures.
- Absorb cost of parts and labour on warranty repairs.
- Retain right to cancellation if snowmobile is subject to abuse or modification.

The Dealer will:

- Perform adequate pre-delivery.
- Stock and use genuine Bombardier replacement parts.
- Have trained staff, facilities and tools.
- Honour warranty policy terms.
- Observe recommended labour time for ten (10) hour inspection.
- Properly complete warranty form.
- Inspect snowmobile for abuse / modification.
- Notify owner of routine lubrication and maintenance changes.

The Owner will:

- Observe routine lubrication and maintenance.
- Observe break-in period recommendations.
- Submit snowmobile to the ten (10) hour inspection.
- Operate snowmobile in a responsible manner on adequate snow covered terrain.
- Not modify or abuse snowmobile.
- Utilize only genuine quality tested manufacturers parts.
- Return snowmobile for servicing to the authorized selling Ski-Doo dealer, if within realistic travelling distance.
- Provide adequate seasonal preparation, spring and fall maintenance. This precaution will inhibit rust formation of vital parts, gum formation in fuel system, plus other benefits.

Ski-Doo snowmobile are designed for operation at sea level and / or altitudes below 5,000 ft. When operating the snowmobile above 5,000 feet, maximum performance is affected, therefore it is suggested that suitable gearing and carburetor calibration be employed. This modification can be performed by an authorized Ski-Doo dealer, and at the owner's expense.

IMPORTANT: Operating a snowmobile which has been modified for high altitude operation, below 5,000 feet, can cause over heating and / or over revving of engine that could contribute to engine failure / damage.