

# can-am®



## APACHE™ 360 LT 6X6

### Track Kit User's Guide

#### **WARNING**

Read this Guide thoroughly before operation.  
Keep this User Guide in the vehicle when installed.

---

# INTRODUCTION

## **WARNING**

All safety rules should be followed as per vehicle Operator's Guide, the specific instructions included in this guide should also be observed when using an ATV with a Apache™ 360 LT 6x6 Track Kit.

Congratulations on your purchase of your new BRP Apache 360 LT 6x6 track kit. It is backed by the BRP warranty and a network of authorized Can-Am dealers ready to provide the parts or service you may require.

It is understood that this User Guide may be translated into another language. In the event of any discrepancy, the English version shall prevail. Throughout this document the masculine is used to denote the masculine or feminine.

If you want to view and/or print an extra copy of your User Guide, simply visit the following website [www.operatorsguide.brp.com](http://www.operatorsguide.brp.com). Also note that the guide is available in several languages.

The information and components/system descriptions contained in this document are correct at the time of publication. Bombardier Recreational Products Inc., however, maintains a policy of continuous improvement of its products without imposing upon itself any obligation to install them on products previously manufactured. Due to late changes, some differences between the manufactured product and the descriptions and/or specifications in this guide may occur. BRP reserves the right at any time to discontinue or change specifications, designs, features or equipment without incurring any obligation upon itself.

The illustrations in this document show the typical construction of the different assemblies and may not reproduce the full detail or exact shape

of the parts. However, they represent parts that have the same or similar function.

We recommend genuine BRP products for replacement parts. They've been specifically designed and manufactured to meet BRP's demanding standards.

---

# TABLE OF CONTENTS

<b>INTRODUCTION</b> .....	<b>1</b>
<b>IMPORTANT INFORMATION</b> .....	<b>3</b>
Track Kit Installation .....	3

## ***SAFETY INFORMATION***

<b>IMPORTANT WARNINGS</b> .....	<b>6</b>
Effects of Track Kit on the ATV .....	6
Riding an ATV with a Track Kit .....	6
Track Repairs .....	8
Track Kit Modifications.....	8
<b>LOCATION OF THE IMPORTANT LABELS</b> .....	<b>9</b>

## ***GENERAL INFORMATION***

<b>HOW TO IDENTIFY YOUR TRACK KIT</b> .....	<b>12</b>
<b>OPERATING INSTRUCTIONS</b> .....	<b>13</b>
Pre-Operation Check.....	13
Repair Tools to Bring .....	13
Post-Operation Care .....	13
Protective Gear.....	13

## ***MAINTENANCE INFORMATION***

<b>MAINTENANCE SCHEDULE</b> .....	<b>16</b>
<b>MAINTENANCE PROCEDURES</b> .....	<b>17</b>
General.....	17
Inspection.....	17
Adjustment .....	19
Cleaning, Storage and Preseason Preparation.....	22

## ***WARRANTY***

<b>BRP LIMITED WARRANTY: APACHE™ 360 LT 6X6 ATV TRACK KIT</b> .....	<b>24</b>
---	-----------

## ***CUSTOMER INFORMATION***

<b>PRIVACY INFORMATION</b> .....	<b>30</b>
<b>CHANGE OF ADDRESS/OWNERSHIP</b> .....	<b>31</b>
MAILING ADDRESSES: .....	31

---

# IMPORTANT INFORMATION

## Track Kit Installation

Using an Apache 360 LT 6x6 track kit on your ATV will change its behavior, particularly in terms of:

- Manoeuvrability
- Traction
- Acceleration
- Braking.

For these reasons, driving an ATV equipped with an Apache 360 LT 6x6 track kit requires a certain adaptation period. Familiarize yourself to your ATV with the addition of this kit, in order to learn the new vehicle behaviors in all conditions.

### **WARNING**

Usage of a track kit will affect the driving behavior of your vehicle. To prevent a loss of control of the ATV:

- Always modulate throttle according to conditions.
- NEVER try to spin the tracks. This could cause debris, snow or ice to be thrown backwards.

## Steering Alignment

Vehicle steering alignment must be adjusted as per the vehicle *ATTACHMENT KIT SPECIFICATIONS*, and readjusted to vehicle factory specifications when the kit is removed.

## 4WD Mode Only

Steering control is reduced in 2WD mode. Always use the ATV in 4WD mode with a track kit.

## Towing or Installing an Accessory

Prior to install any accessories (snow plow, bumper extensions or signaling kit for example), make sure there is no possible interference with the tracks.

## Riding Surface

This track kit gives optimal performance and durability on snow. Usage of other type of terrain will increase wear on track kit components and vehicle.

## Speedometer Reading

The speedometer reading is not accurate anymore as the wheels of the track kit are smaller.

## ATV Model year 2014 and up

Use DPS track kit module included with kit to correct the speedometer reading.

### **WARNING**

Never ride with DPS track module connected when tires are reinstalled on vehicle.

## Regulations

Always check local regulations concerning the use of tracks on your ATV. Always drive your ATV in a responsible manner, respecting the environment and other people's property.

## Trail Riding

BRP does not recommend to ride an ATV equipped with a track kit on public trail as it is unlawful in most states or provinces, and it is likely to cause damage to the trail. In the event that you have to, first make sure to verify with your local authorities to confirm that it is allowed, then minimize the distance you ride on the trail, and be thoughtful of other riders and property owners by being careful to avoid damaging the trail.

***This page is  
intentionally blank***

# ***SAFETY INFORMATION***

---

# IMPORTANT WARNINGS

ATV'S EQUIPPED WITH AN APACHE 360 LT 6x6 TRACK KIT CAN BE HAZARDOUS TO OPERATE.

**SEVERE INJURY OR DEATH** can result if you do not follow these instructions:

- Read this User Guide and follow the operating procedures described.
- Read the vehicle Operator's Guide and all on-product safety labels carefully and follow the operating procedures described.
- If any accessories are installed, make sure to read all on-product safety labels carefully and follow the operating procedures described.

## Effects of Track Kit on the ATV

### Vehicle Weight

Vehicle weight is increased, and must be taken into considerations when crossing a bridge or any other situations where the vehicle weight can be a factor. This should also be considered when using lifting equipment to lift vehicle off the ground.

### Vehicle Width

Total vehicle width is increased because tracks extend beyond vehicle fenders. , Additional care must be taken when maneuvering in proximity of obstacles or when crossing a bridge, or any other situations where the vehicle width can be a factor

### Vehicle Height

Vehicle total height is increased and must be taken into considerations in any situations where the vehicle height can be a factor.

### Vehicle Towing Capacity

Installation of the track kit DOES NOT increase the vehicle towing capacity.

### Vehicle Load Limit

Installation of the track kit DOES NOT increase vehicle load limit.

### Vehicle Heat Dissipation

The use of a track kit may increase heat generated by the vehicle in certain conditions:

- Extended deep snow or mud riding
- Extended low speed riding
- Extended plowing
- Extended towing at low speed.

For these severe duty applications, it is recommended to use an ATV heat dissipation kit (if it's not already installed from factory).

## Riding an ATV with a Track Kit

Avoid driving on any frozen waterways before checking that the ice will safely support the vehicle, its riders and its load of cargo.

### WARNING

Even if frozen waterways are supporting snowmobiles or other vehicles does not mean your vehicle will be supported. This vehicle is heavier, slower and less maneuverable than a snowmobile.

### Crossing Obstacles

Obstacles on the "trail" should be traversed with caution. This includes rocks, fallen trees, and depressions. You should avoid them whenever possible. Remember that some obstacles are too large or dangerous to cross and should be avoided. As a guideline, never attempt to cross an obstacle higher than the ground clearance of the vehicle. Small rocks or small fallen trees may be safely crossed - approach obstacle at low speed and as much as possible at a right angle. Adjust speed without losing momentum and do not accelerate abruptly. Passenger must

grasp handholds firmly and brace feet on the floor. Hold steering firmly without closing your fists around it and proceed. Be aware that the obstacle may be slippery or may move while crossing.

**⚠ CAUTION** The steering system is strongly solicited when crossing obstacles. Therefore, sudden and unpredictable steering jerks may arise when crossing obstacles.

### Traction/Acceleration

This track kit will allow your ATV to have better traction and acceleration on soft surfaces. This can cause sudden variations in traction under certain conditions.

### ⚠ WARNING

Sudden changes on ridden surface conditions will affect traction. You may lose control.

### Braking

This track kit will give you better braking on packed snow but will have no noticeable effect on ice, mud or wet grass. Braking may thus vary suddenly under certain conditions. Always modulate brakes and be alert for changing conditions to avoid blocking the tracks.

Water, mud, snow or ice may affect the response time of the brake system of your ATV even with a track kit. In these conditions, apply brakes periodically while riding to break any water, snow, ice or mud film that could develop on brake rotors. This will help keep brake efficiency at its peak.

Depending on the condition, stopping may require more distance than you think. Be prepared for the unexpected. Play it safe.

### ⚠ WARNING

Blocking the tracks under braking may lead to a loss of control.

### Turning

Vehicle steering turning radius is decreased. Adjust your driving accordingly. Never perform sharp turns above 25 km/h (16 MPH), this could result in loss of control or damage to the track kit.

Steering control is reduced in 2WD mode. Always use the ATV in 4WD mode with a track kit.

### Vehicle Speed

The ATV should be used only at reduced speed. The vehicle handling, stability and braking distance may be affected with the track kit installed. Always adjust speed according to terrain, visibility, operating conditions and your experience.

### Snow Plow

If the ATV is also equipped with a snow plow, vehicle speed should not exceed 5 km/h (3 MPH).

### Driving in Reverse

Always drive in reverse at reduce speed. Driving in reverse at high speed, especially when going down a hill, could cause the tracks to plunge into the snow or obstacles and cause severe damages to the ATV.

### Mud, Snow and Ice Conditions

Due to track kit configuration, there is more dirt, mud and snow projections underneath the vehicle when the track kit is installed therefore, action of steering, suspensions and brakes could be affected from ice buildup or mud and snow accumulation. Always perform a pre-operation check BEFORE you turn on the ignition.



## Deep Mud or Snow

### **WARNING**

Mud or snow may hide many obstacles.

Riding in deep mud or snow can be hazardous.

## Jumps

Never attempt jumps or other stunts.

## Debris

Projections of debris can be more frequent and severe. Never stands beside or nearby the ATV when in motion. Never ride without proper equipment, including eye protection.

## Bystanders

### **WARNING**

Never allow any persons nearby the ATV when in operation.

Tracks shall not be used as sidesteps. Vehicle movement could cause injury. Tracks exceed width of vehicle fenders and can be hazardous for bystanders. Never allow anyone to push or pull the ATV when the engine is running.

## Track Repairs

No repair is allowed on the track. If worn or cut, replace track. See your authorized dealer.

## Track Kit Modifications

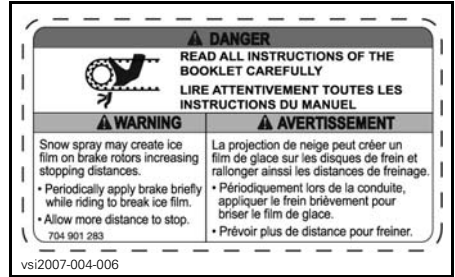
Do not modify the track kit.

Do not install traction enhancing devices such as track studs.

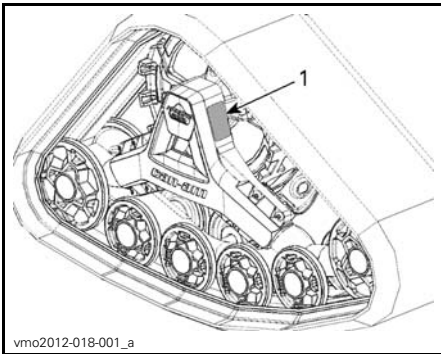
# LOCATION OF THE IMPORTANT LABELS

Read and understand all safety labels. These labels are affixed to the tracks for the safety of the operator, passenger or bystanders. The labels should be considered permanent parts of the track kit. If missing or damaged, they can be replaced free of charge. See an authorized Can-Am dealer.

**NOTE:** In the event of any discrepancy between this guide and the track kit, the safety labels on the track have precedence over the labels in this guide.



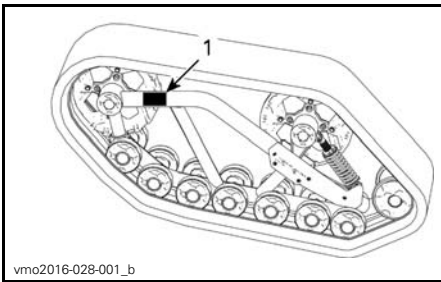
LABEL P/N 704 901 283



vmo2012-018-001\_a

TYPICAL- FRONT TRACK ASSEMBLY

1. Label location



vmo2016-028-001\_b

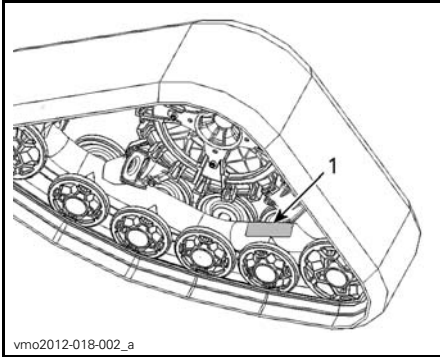
TYPICAL- REAR TRACK ASSEMBLY

1. Label location

***This page is  
intentionally blank***

# ***GENERAL INFORMATION***

# HOW TO IDENTIFY YOUR TRACK KIT



**RH FRONT TRACK ASSEMBLY**  
1. Identification plate



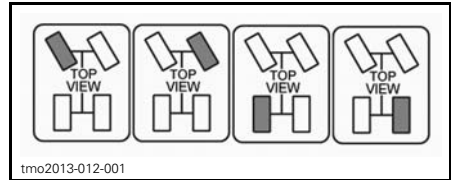
These labels indicate the proper location of each track: front left, front right, rear left, rear right. They are visible both on frame and attachments.

## DECLARATION OF CONFORMITY CE

Soucy International Inc. states that this product: APACHE 360 LT 6x6 TRACK KIT conforms to the machinery directive 2006/42/CE. Soucy International Inc. is responsible for the compilation of the technical package.

Manufacturer:  
Soucy International Inc.  
5450 St. Roch Street, P.O Box 400  
Drummondville, Quebec  
J2B 6W3 CANADA

vmo2016-028-010\_a



Each Apache 360 LT 6x6 kit bears identification plates. The identification number will be useful for parts ordering or technical support programs from BRP.

The identification number is also useful if parts are stolen. **Carefully** note all characters in the appropriate spaces in the following image.

# OPERATING INSTRUCTIONS

## Pre-Operation Check

### Track Kit Pre-Ride Inspection

#### **WARNING**

Riding with a damaged track system could lead to a loss of control.

Visually inspect all track kit components before each ride including:

- Tracks
- Frames
- Wheels
- Etc.

**NOTE:** Inspect also the track section on the ground. It is required to move the ATV approximately 1 m (40 in).

Verify tracks and idler wheels for free movement.

Verify tracks tension for proper adjustment.

Remove mud, snow and ice build up from:

- Front and rear suspension
- Steering and brake mechanism
- Inside each track assembly
- Radiator fan (if applicable).

### Track Mounting Kit

Visually inspect the anti-rotation bars, fixation bolts, pivot, spring and rubber of the track mounting kit.

## Repair Tools to Bring


A 17 mm wrench, socket wrench with a 17 mm deep socket, flat screw driver and a spanner wrench for tracks tension and wheels removal.

An axe and a shovel could also be useful.

## Post-Operation Care

### Protective Gear

Remove mud, snow and ice build up inside each track assembly and under the ATV.

 **CAUTION** Wear appropriate protective gear.



Avoid loose clothing and wear appropriate protective gear for the ride planned or the work to be performed.

***This page is  
intentionally blank***

# ***MAINTENANCE INFORMATION***



# MAINTENANCE SCHEDULE

Maintenance is very important for keeping your Apache 360 LT 6x6 track kit in safe operating condition. Proper maintenance is the owner's responsibility. The track kit should be serviced as per the maintenance schedule.

The maintenance schedule does not exempt the pre-ride inspection.

## WARNING

Failure to properly maintain the track kit according to the maintenance schedule and procedures can make it unsafe to operate.

### PERIODIC MAINTENANCE SCHEDULE

PART/TASK	AT INSTALLATION (NEW KIT)					LEGEND
	EVERY RIDE					
PART/TASK	EVERY 20 HOURS OF USE					LEGEND
	AT STORAGE					
PART/TASK	AT PRESEASON					LEGEND
	LEGEND					
Tightening torque verification <sup>(2)</sup>	I, A (2)	I				<p>(1) Must be performed by an authorized dealer and must be done at installation and removal of track kit.</p> <p>(2) When track kit is installed for the first time (new kit), tightening torque of track kit components and tracks tension must be verified after the first kilometer of use. Refer further in this section for details.</p>
Tracks condition		I			I	
Tracks tension <sup>(2)</sup>	I, A	I, A			I, A	
Track tensioner adjustment bolt and lock nut threads			L			
Anti-rotation bars (track mounting kit)		I				
Remove packed mud, snow and ice		I, C				
Track kit alignment	I <sup>(1)</sup>			I <sup>(1)</sup>	I <sup>(1)</sup>	
Track kit assembly			I	C	I	
Rear mobile link			L	L	L	

# MAINTENANCE PROCEDURES

## General

### **⚠ WARNING**

Engine should not be running for all maintenance procedures.

**⚠ CAUTION** Let engine cooled down prior to undertake maintenance.

### **⚠ WARNING**

Should removal of a locking device (e.g. lock tabs, self-locking fasteners, etc.) be required when undergoing disassembly/assembly, always replace with a new one.

The following covers the maintenance items that can be performed by the customer if desired. Other items found in maintenance schedule must be performed by an authorized Can-Am dealer.

## Inspection

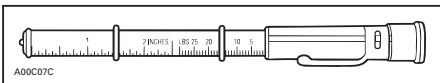
### Tracks

Inspect tracks condition. If worn or cut, or if track fibers are exposed, replace track. See your authorized dealer.

### Track Tension Verification

A belt tension tester (P/N 414 348 200) is used to measure deflection as well as force applied.

If an adjustment is required, refer to *TRACK TENSION ADJUSTMENT SUBSECTION*.

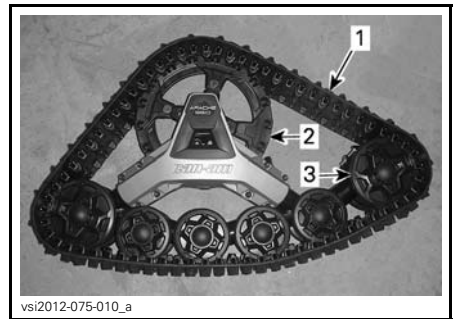


**BELT TENSION TESTER**

**NOTICE** Too much tension will result in power loss and excessive stresses on track kit components. If the track tension is too loose, track will have a tendency to thump or de-track. This can cause a loss of control and risks of severe injuries.

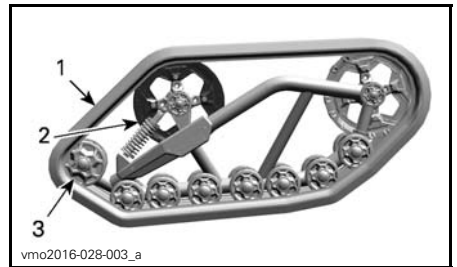
**NOTICE** Track tension verification should be done with the Apache 360 LT 6x6 track kit installed on vehicle.

Position a straight edge on top of track between sprocket and front or rear idler wheel.



**TYPICAL FRONT RH SIDE**

1. Straight edge location
2. Sprocket
3. Front idler wheel

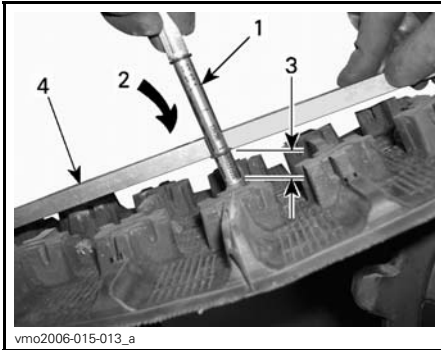


**TYPICAL REAR RH SIDE**

1. Straight edge location
2. Sprocket
3. Rear idler wheel

With a belt tension tester, apply the appropriate force halfway between both wheels.

Measure deflection between straight edge and top of lug, see next photo.



**VERIFY TRACK DEFLECTION**

1. Belt tension tester
2. Force
3. Deflection
4. Straight edge

Verify track deflection as per specifications in the following table.

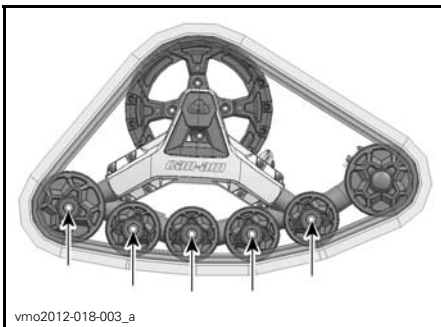
TRACK ADJUSTMENT	
FORCE	DEFLECTION
11.3 kgf (25 lbf)	12.7 mm ± 3 mm (1/2 in ± 1/8 in)

If adjustment is needed, refer to *TRACK TENSION ADJUSTMENT* sub-section.

**Tightening Torques**

Perform tightening torque of track kit hardware as per frequencies described in the periodic maintenance chart.

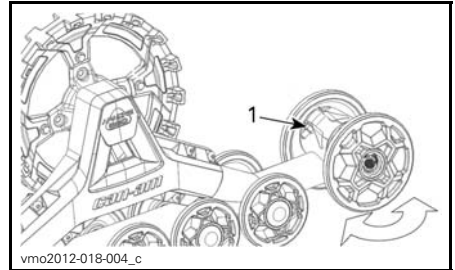
**Idler Wheels**



TYPICAL

TIGHTENING TORQUE	
Idler wheels bolts	48 N•m ± 4 N•m (35 lbf•ft ± 3 lbf•ft)

**Front Track Tension Adjusters**

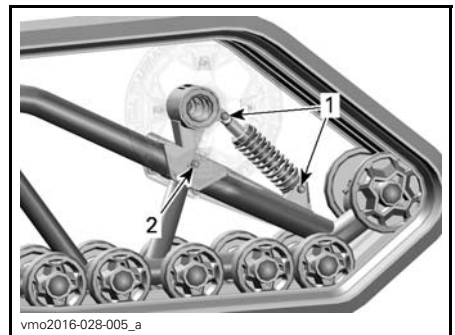


TYPICAL

1. Adjuster locking nut

TIGHTENING TORQUE	
Adjuster locking nut	40 N•m ± 4 N•m (30 lbf•ft ± 3 lbf•ft)

**Rear Track Motion Adjusters**

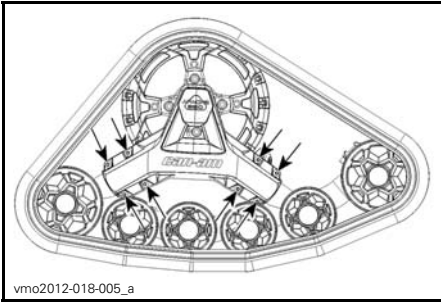


TYPICAL - VIEWED FROM INSIDE TRACK AND SPROCKET REMOVED FOR CLARITY

1. Shock adjuster nut
2. Rear mobile link nut

TIGHTENING TORQUE	
Shock adjuster nut	48 N•m ± 4 N•m (35 lbf•ft ± 3 lbf•ft)
Rear mobile link nut	85 N•m ± 10 N•m (63 lbf•ft ± 7 lbf•ft)

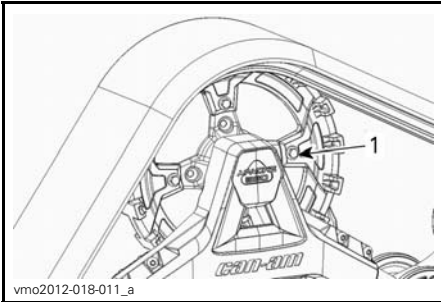
## Aluminum Links



TYPICAL

TIGHTENING TORQUE	
Aluminum link screws	48 N•m ± 4 N•m (35 lbf•ft ± 3 lbf•ft)

## Drive Sprockets

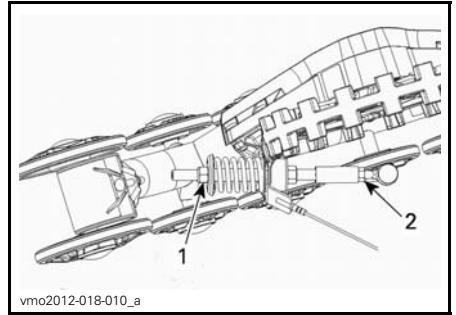


TYPICAL

1. Drive sprocket bolts

TIGHTENING TORQUE	
Drive sprocket bolts	25 N•m ± 3 N•m (18 lbf•ft ± 2 lbf•ft)

## Anti-Rotation Tubes



TYPICAL - FRONT TRACK ASSEMBLY

1. Elastic nut
2. Adjustment nut

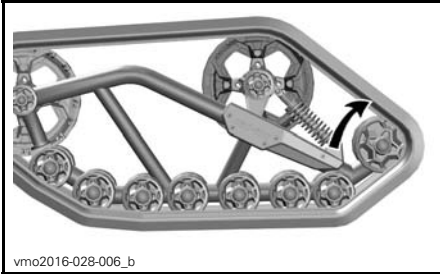
TIGHTENING TORQUE	
Elastic nut	65 N•m ± 5 N•m (48 lbf•ft ± 4 lbf•ft)
Adjustment nut	65 N•m ± 5 N•m (48 lbf•ft ± 4 lbf•ft)

## Adjustment

### Track Tension

The front Apache 360 LT 6x6 track kit is equipped with an adjustable system adapting to your terrain conditions. The front wheels located at extremities may be adjusted at high or low position. The high wheel position increases capacity for crossing obstacles and reduce steering effort. The lower position increases ground contact surface resulting in better traction in very soft terrain conditions. Follow instructions for high and low positions adjustments.

**NOTICE** Rear track kits must be adjusted to high position for appropriate operation.



REAR WHEEL IN HIGH POSITION

**NOTICE** Always ensure all front systems are set to the same position. Vehicle must be on 2x6 in neutral position and lifted up to get appropriate track tension.

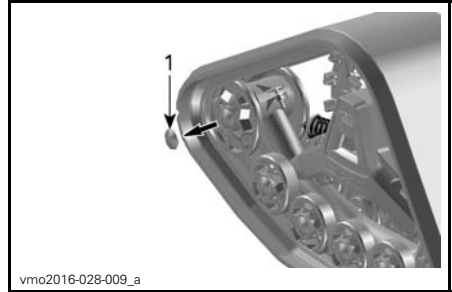
**NOTE:** Procedure is the same for all tracks.

The track tension adjustment is performed using a torque wrench to apply torque on the hexagonal end of the adjuster. A belt tension tester (P/N 414 348 200) will be used to measure deflection and validate adjustment.

**NOTICE** Too much tension will result in power loss and excessive stresses on track kit components. If the track tension is too loose, track will have a tendency to thump or de-track. This can cause a loss of control and risks of severe injuries.

**NOTE:** If correct tension is unattainable, clean tensioner system. If after that, tension is unattainable, contact your authorized dealer.

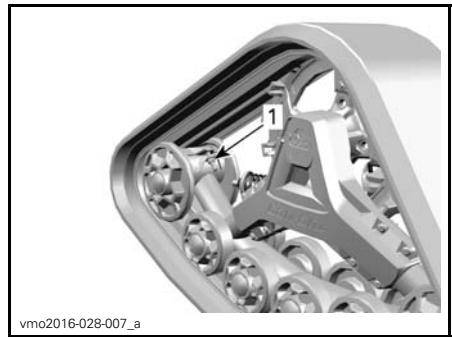
Remove adjuster exterior wheel cap.



TYPICAL

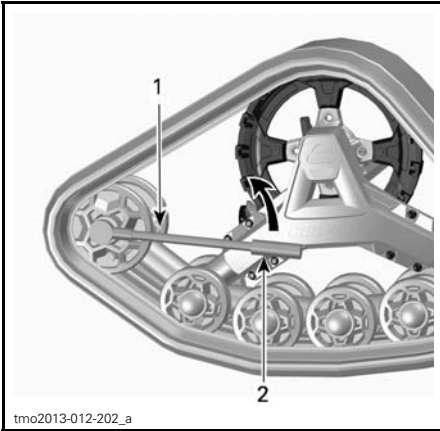
1. Exterior wheel cap

Loosen adjuster locking nut a few turns.



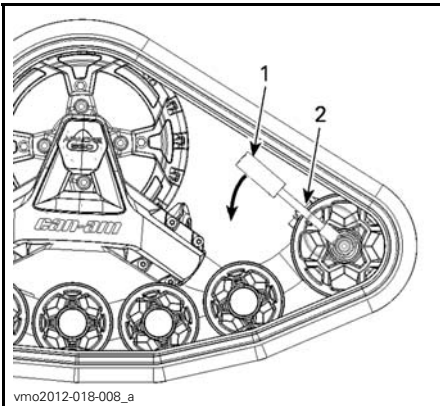
1. Adjuster locking nut

Install torque wrench with a 17 mm deep socket over hexagonal end of adjuster with handle pointing toward center of adjuster locking screw.



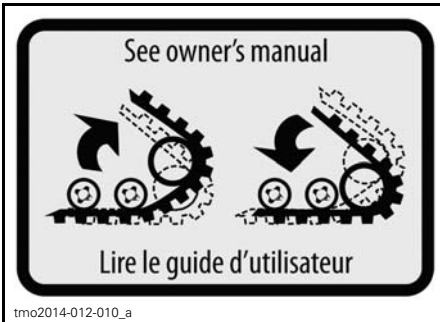
**LEFT HAND FRONT VIEW WITH WHEEL IN HIGH POSITION**

1. Adjuster locking screw
2. Torque wrench handle

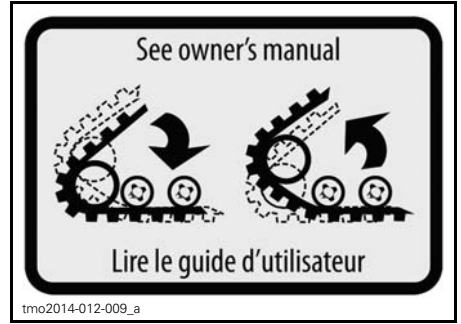


**RIGHT FRONT VIEW WITH WHEEL IN LOW POSITION**

1. Torque wrench handle
2. Adjuster locking screw



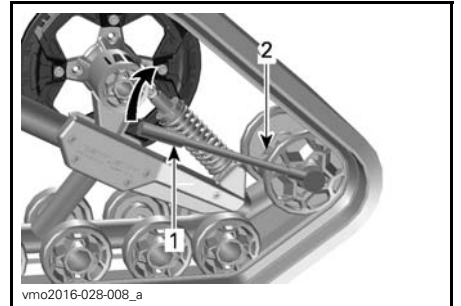
tmo2014-012-010\_a



tmo2014-012-009\_a

Apply pressure on torque wrench handle upward when wheel is in high position and downward when wheel is in low position. To increase tension on track. Torque adjuster hexagonal end to following specification.

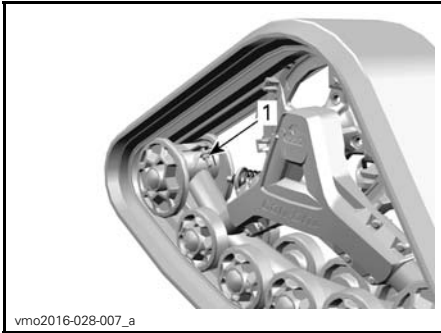
TIGHTENING TORQUE	
Adjuster hexagonal end	48 N•m ± 4 N•m (35 lbf•ft ± 3 lbf•ft)



**LEFT HAND REAR VIEW WITH WHEEL IN HIGH POSITION**

1. Torque wrench handle
2. Adjuster locking screw

With specified torque applied to hexagonal end of adjuster torque adjuster locking nut.



vmo2016-028-007\_a

1. Adjuster locking nut

**TIGHTENING TORQUE**

Adjuster locking nut	40 N•m ± 4 N•m (30 lbf•ft ± 3 lbf•ft)
----------------------	--

**⚠ WARNING**

Strictly adhere to tightening torque specifications. If not followed, this may lead to loss of fastener thus resulting in track tension release. You may lose control.

Verify track tension is adequate. Refer to *TRACK TENSION VERIFICATION* subsection.

**Cleaning, Storage and Preseason Preparation**

**Cleaning**

**NOTICE** Never use a high pressure washer to clean track kit. Use low pressure only (like a garden hose). High pressure can cause mechanical damages.

Wash each track assembly with hot water and soap (use only mild detergent).

**NOTICE** Never clean plastic parts with strong detergent, degreasing agent, paint thinner, acetone etc.

Painted parts which are damaged should be properly repainted to prevent rust.

**Storage**

**NOTICE** Always clean up track kit before storage.

**NOTICE** Tracks assembly has to be stored in a cool and dry place and covered with an opaque tarpaulin. This will prevent sun rays and grime from affecting components durability or finish.

**NOTICE** If vehicle is to be stored with track kit installed, make sure that tracks are positioned on a flat surface to avoid any deformations.

**Preseason Preparation**

Refer to an authorized dealer.

**Proper Recycling**

When replacing components or when a track kit comes to its end of useful life, bring components to a recycling facility according to type of material. Follow local regulations for proper disposal.

# ***WARRANTY***



---

# **BRP LIMITED WARRANTY: APACHE™ 360 LT 6X6 ATV TRACK KIT**

## **1) WARRANTY COVERAGE PERIOD**

Bombardier Recreational Products Inc. ("BRP")\* warrants from the date of original retail purchase that each genuine Apache™ 360 LT 6x6 ATV track kit ("Apache") sold as new and unused and installed by an authorized Can-Am® ATV dealer will be free from defects in material or workmanship for a period of **TWENTY-FOUR (24) CONSECUTIVE MONTHS**, subject to the conditions described below. The Apache cannot be registered as a genuine accessory and therefore does not carry the same warranty of a Can-Am ATV.

The repair or replacement of parts or the performance of service under this warranty does not extend the life of this warranty beyond its original expiration date.

## **2) EXCLUSIONS**

The following are not warranted under any circumstances:

- Normal wear and tear items;
- Labor and parts cost of all maintenance and adjustment services;
- Damage caused by failure to provide proper maintenance, as described in the User Guide;
- Damage resulting from removal of parts, improper repairs, service, maintenance, modifications or use of parts not manufactured or approved by BRP or resulting from repairs done by a person that is not an authorized Can-Am dealer;
- Damage resulting from abuse, abnormal use, neglect or operation of the product in a manner inconsistent with the recommended operation described in the User Guide;
- Damage resulting from accident, fire, theft, vandalism or any act of God;
- Incidental or consequential damages or damages of any kind including without limitation towing, storage, telephone, rental, taxi, inconvenience, insurance coverage, loan payments, loss of time, loss of income;
- Damages caused by the Apache being on a vehicle that is not a Can-Am ATV;
- Damages resulting from studs installed on the Apache.
- Costs of transportation or shipping incurred in respect of the performance of this warranty.

### **3) CONDITIONS TO HAVE WARRANTY COVERAGE**

This warranty coverage is available **only** if **each** of the following conditions has been fulfilled:

- The Apache must be purchased, by its first owner, as new, unused and installed by a dealer authorized to distribute Apache in the country in which the sale occurred (“Can-Am ATV Dealer”).
- The BRP specified pre-delivery inspection process must be completed, documented and signed by the purchaser.
- The Apache must have undergone proper warranty registration by an authorized Can-Am ATV Dealer.
- The Apache must be purchased in the country in which the purchaser resides.
- Routine maintenance must be performed as indicated in the User's Guide. BRP reserves the right to make warranty coverage contingent upon proof of proper maintenance.

BRP will not honor this limited warranty to any private use owner or commercial use owner if one of the preceding conditions has not been met. Such limitations are necessary in order to allow BRP to preserve both the safety of its products, and also that of its consumers and the general public.

### **4) WHAT TO DO TO OBTAIN WARRANTY COVERAGE**

The customer must cease using the Apache upon the appearance of an anomaly. The customer must notify an authorized Can-Am ATV dealer within three (3) days of the appearance of the defect in material or workmanship and present to the servicing authorized Can-Am dealer a proof of purchase (original invoice or bill of sale) of the new and unused Apache. All parts replaced under this limited warranty become the property of BRP.

### **5) WHAT BRP WILL DO?**

BRP’s obligations under this warranty are limited to, at its sole discretion, repairing parts found defective under normal use, maintenance and service, or replacing such parts with new genuine BRP parts without charge for parts, at any authorized Can-Am dealer. BRP reserves the right to improve or modify products from time to time without assuming any obligation to modify products previously manufactured.

## **6) LIMITATIONS OF LIABILITY**

THIS WARRANTY IS EXPRESSLY GIVEN AND ACCEPTED IN LIEU OF ANY AND ALL OTHER WARRANTIES, EXPRESSED OR IMPLIED, INCLUDING WITHOUT LIMITATION ANY WARRANTY OF MERCHANTABILITY OR FITNESS FOR A PARTICULAR PURPOSE. TO THE EXTENT THAT THEY CANNOT BE DISCLAIMED, THE IMPLIED WARRANTIES ARE LIMITED IN DURATION TO THE LIFE OF THE EXPRESS WARRANTY. INCIDENTAL AND CONSEQUENTIAL DAMAGES ARE EXCLUDED FROM COVERAGE UNDER THIS WARRANTY. SOME STATES/PROVINCES DO NOT ALLOW FOR THE DISCLAIMERS, LIMITATIONS AND EXCLUSIONS IDENTIFIED ABOVE, AS A RESULT, THEY MAY NOT APPLY TO YOU. THIS WARRANTY GIVES YOU SPECIFIC RIGHTS, AND YOU MAY ALSO HAVE OTHER LEGAL RIGHTS WHICH MAY VARY FROM STATE TO STATE, OR PROVINCE TO PROVINCE.

Neither the distributor, any BRP dealer nor any other person has been authorized to make any affirmation, representation or warranty regarding the product, other than those contained in this limited warranty, and if made, shall not be enforceable against BRP.

BRP reserves the right to modify this warranty at any time, being understood that such modification will not alter the warranty conditions applicable to the products sold while this warranty is in effect.

## **7) CONSUMER ASSISTANCE**

In the event of a controversy or a dispute in connection with this limited warranty, BRP suggests that you try to resolve the issue at the dealership level. We recommend discussing the issue with the authorized dealer's service manager or owner. If the issue cannot be resolved, please submit your complaint in writing or call the appropriate number below:

**In Canada:**

**BOMBARDIER RECREATIONAL PRODUCTS INC.**

Consumer Services Group  
75 J.-A. Bombardier Street  
Sherbrooke QC J1L 1W3  
Tel.: 1-888-272-9222

**In USA:**

**BRP US Inc.**

Consumer Services Group  
7575 Bombardier Court  
Wausau WI 544401  
Tel.: 1-888-272-9222

**For countries within Europe, Middle East, Africa, Russia & CIS, please contact our European office:**

**BRP EUROPE N.V.**

Consumer Service Center  
Skaldenstraat 125  
9042 Gent  
Belgium  
Tel.: +32-9-218-26-00

**For Scandinavian countries, please contact our Finland office:**

**BRP FINLAND OY**

Service Department  
Isoaavantie 7  
FIN-96320 Rovaniemi  
Finland  
Tel.: +358 16 3208 111

**For all other countries, please contact your local distributor or, our North America office:**

**BOMBARDIER RECREATIONAL PRODUCTS INC.**

Consumer Services Group  
75 J.-A. Bombardier Street  
Sherbrooke QC J1L 1W3  
Tel.: 1-888-272-9222

You will find your distributor's coordinates on: [www.brp.com](http://www.brp.com).

\* In the USA, products are distributed and serviced by BRP US Inc.

© 2015 Bombardier Recreational Products Inc. All rights reserved.

® Registered trademark and ™ trademark of Bombardier Recreational Products Inc. or its affiliates.

***This page is  
intentionally blank***

# ***CUSTOMER INFORMATION***

---

## **PRIVACY INFORMATION**

BRP wishes to inform you that your coordinates will be used for safety and warranty related purposes. Furthermore, BRP and its affiliates may use its customer list to distribute marketing and promotional information about BRP and related products.

To exercise your right to consult or correct your data, or to be removed from the addressee-list for direct marketing, please contact BRP.

**By E-mail:** [privacyofficer@brp.com](mailto:privacyofficer@brp.com)

**By mail:** BRP  
Senior Legal Counsel-Privacy Officer  
726 St-Joseph  
Valcourt QC  
Canada  
J0E 2L0

---

# CHANGE OF ADDRESS/OWNERSHIP

If your address has changed or if you are the new owner of the Apache™ 360 LT 6x6 track kit, be sure to notify BRP by either:

- Mailing one of the following cards hereinafter using one of the following mailing addresses;
- **North America Only:** calling at 1-888-272-9222;
- Notifying an authorized Can-Am dealer.

## MAILING ADDRESSES:

### In Canada:

BOMBARDIER RECREATIONAL PRODUCTS INC.  
Consumer Services Group  
75 J.-A. Bombardier Street  
Sherbrooke QC J1L 1W3  
Tel.: 1-888-272-9222

### In USA:

BRP US Inc.  
Consumer Services Group  
7575 Bombardier Court  
Wausau WI 544401  
Tel.: 1-888-272-9222

**For countries within Europe, Middle East, Africa, Russia & CIS, please contact our European office:**

BRP EUROPE N.V.  
Consumer Service Center  
Skaldenstraat 125  
9042 Gent  
Belgium  
Tel.: +32-9-218-26-00

**For Scandinavian countries, please contact our Finland office:**

BRP FINLAND OY  
Service Department  
Isoaavantie 7  
FIN-96320 Rovaniemi  
Finland  
Tel.: +358 16 3208 111

**For all other countries, please contact your local distributor or, our North America office:**

BOMBARDIER RECREATIONAL PRODUCTS INC.  
Consumer Services Group  
75 J.-A. Bombardier Street  
Sherbrooke QC J1L 1W3  
Tel.: 1-888-272-9222

You will find your distributor's coordinates on [www.brp.com](http://www.brp.com).



In case of change of ownership, please join a proof that the former owner agreed to the transfer.

Notifying BRP, even after the expiration of the limited warranty, is very important as it enables BRP to reach the Apache™ 360 LT 6x6 track kit owner if necessary, like when safety recalls are initiated. It is the owner's responsibility to notify BRP.

**STOLEN UNITS:** If your personal Apache™ 360 LT 6x6 track kit is stolen, you should notify BRP or an authorized Can-Am dealer. We will ask you to provide your name, address, phone number, the Apache™ 360 LT 6x6 track kit identification number and the date it was stolen.

You are required to keep this operator's guide for the entire useful life of this track kit. It is your responsibility to transfer this guide to the next owner.



***This page is  
intentionally blank***



**NOTES**