

SEA[®] 400

OPERATOR'S GUIDE



219 000 028



HX, XP 800

SUPPLEMENT

INTRODUCTION

This *Operator's Guide Supplement* contains information specifically applicable to the HX (5880) and XP 800 (5856) models.

This guide must be used in conjunction with the *Sea-Doo Operator's Guide (P / N 219 000 018)* as it contains the general information regarding these models of watercraft.

◆ SAFETY WARNING

Seating for the HX and XP 800 models is limited to 1 operator.

The performance of these watercraft may significantly exceed that of other watercraft you may have operated. Therefore, use of these watercraft by novice or inexperienced operators is not recommended.

Read and understand the *Operator's Guide*, the *Operator's Guide Supplement* and *Safety Handbook* before operating these watercraft.

TABLE OF CONTENTS

FOREWORD	3
SAFETY WARNING	3
LIST OF DISTRIBUTORS	3
THE 1995 BOMBARDIER WATERCRAFT (NORTH AMERICAN) LIMITED WARRANTY	3
WARRANTY QUESTIONS AND ANSWERS	3
REGISTRATION NUMBER LOCATION	4
LOCATION OF THE IMPORTANT LABELS	5
WATERCRAFT IDENTIFICATION	7
Hull Identification Number	7
Watercraft Model Number	7
Engine Identification Number	7
COMPONENT FUNCTIONS	8
FUEL AND LUBRICATION	20
BREAK-IN PERIOD	20
PRE-OPERATION CHECKS	20
OPERATING INSTRUCTIONS	20
POST-OPERATION CARE	21
SPECIAL PROCEDURES	22
MAINTENANCE	22
Drive Line Mid Bearing (HX)	22
TRANSPORTATION, STORAGE AND PRE-SEASON PREPARATION	22
TROUBLESHOOTING	22
SPECIFICATIONS	23
SI METRIC INFORMATION GUIDE	25
ACCESSORIES AND SERVICE PRODUCTS	25
OTHER PUBLICATIONS AVAILABLE	25
CHANGE OF ADDRESS	25

FOREWORD _____

Refer to the *Sea-Doo Operator's Guide* (P / N 219 000 018).

SAFETY WARNING _____

Refer to the *Sea-Doo Operator's Guide* (P / N 219 000 018).

LIST OF DISTRIBUTORS _____

Refer to the *Sea-Doo Operator's Guide* (P / N 219 000 018).

THE 1995 BOMBARDIER WATERCRAFT (NORTH AMERICAN) LIMITED WARRANTY_____

Refer to the *Sea-Doo Operator's Guide* (P / N 219 000 018).

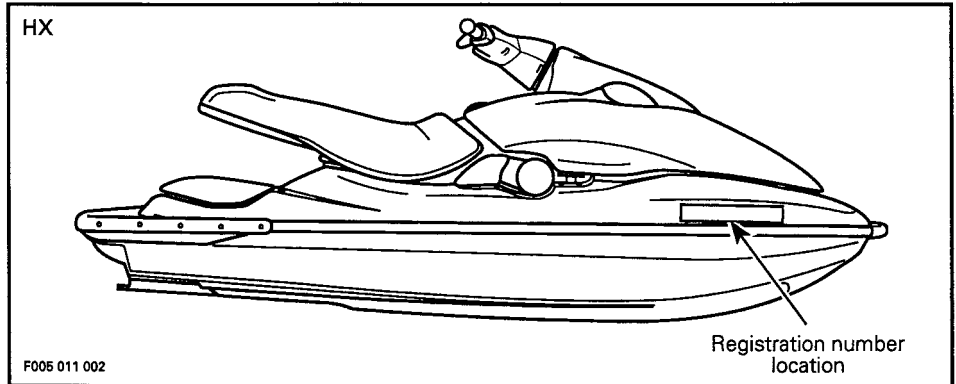
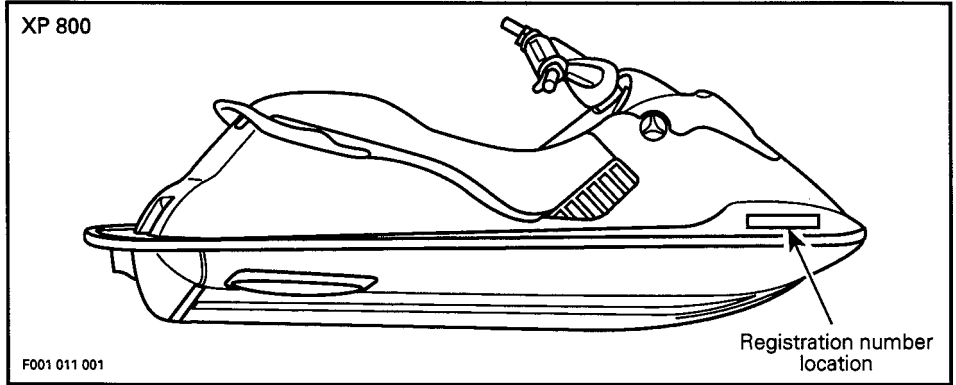
WARRANTY QUESTIONS AND ANSWERS_____

Refer to the *Sea-Doo Operator's Guide* (P / N 219 000 018).

REGISTRATION NUMBER LOCATION _____

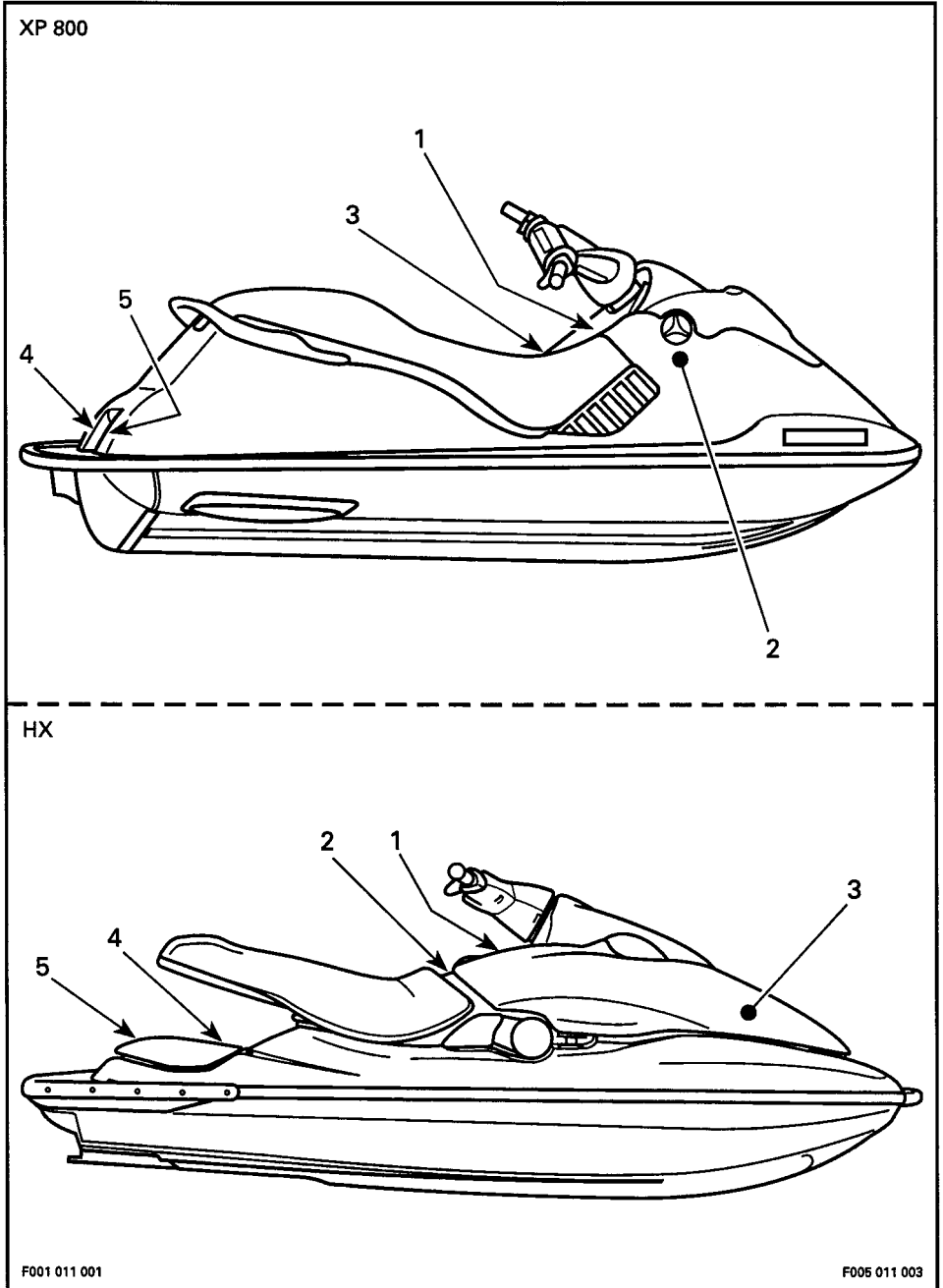
All personal watercraft are required by federal law to be registered and legally numbered.

Due to space availability for proper display of registration number, refer to the following illustration for location. The registration number must appear on each side of the watercraft.



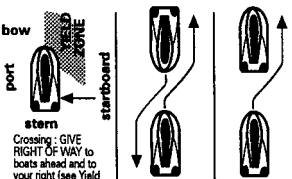
LOCATION OF THE IMPORTANT LABELS

Please read the following labels carefully before operating this watercraft.



1

REMEMBER THESE RULES OF THE ROAD



WARNING

Read all warning labels. *Operator Guide & Safety Handbook* before operation. Severe injury or death can result from ignoring warnings or through improper use of this watercraft. THE PERFORMANCE OF THIS WATERCRAFT MAY SIGNIFICANTLY EXCEED THAT OF OTHER WATERCRAFT YOU MAY HAVE OPERATED. THEREFORE, USE OF THIS WATERCRAFT BY NOTICE OR INEXPERIENCED OPERATORS IS NOT RECOMMENDED.

- Check throttle & steering operation before starting engine
- Directional control is lost when throttle is released or engine shut off
- Do not splash others or jump waves or wakes with this watercraft
- Operator should always wear an approved life vest and recommended clothing
- Gasoline is explosive. Always observe proper fueling practices and maintenance
- Properly attach safety lanyard to your life vest
- This watercraft is not designed for night-time operation
- Seating is limited to one operator (250 lbs.)
- Keep a safe distance from all other water users. Be aware of all boating regulations

F001 011 004

2

WARNING

WHILE FUELING, STOP ENGINE. FUEL TANK MAY BE PRESSURIZED, SLOWLY TURN CAP WHEN OPENING. KEEP WATERCRAFT LEVEL, DO NOT OVERFILL. CHECK OIL LEVEL. PERIODICALLY, VERIFY FUEL SYSTEM.

F001 011 247

3

WARNING

DO NOT BOOST BATTERY. SERVICING OF ELECTRICAL COMPONENTS SHOULD BE DONE BY DEALER ONLY.

F002 011 084

4

*THIS BOAT IS NOT REQUIRED TO COMPLY WITH THE FOLLOWING U.S. COAST GUARD SAFETY STANDARDS IN EFFECT ON THE DATE OF CERTIFICATION:

- Fuel System
- Safe Loading
- Display of Capacity Information
- Flotation
- Powered Ventilation

AS AUTHORIZED BY U.S. COAST GUARD GRANT OF EXEMPTION (CGB 88-001).*

Bombardier Corp. 7575 Bombardier Court, Watousau, WI 54401

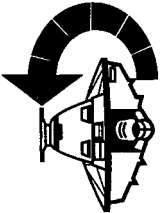
made in Canada / fabriqué au Canada | Bombardier Inc. Rd./Enr., 1988 | XXXX

F002 011 085

5

AFTER ROLL OVER

ALWAYS TIP WATERCRAFT AS SHOWN BEFORE RESTARTING ENGINE



F001 011 246

WATERCRAFT IDENTIFICATION

Hull Identification Number

Refer to the *Sea-Doo Operator's Guide* (P / N 219 000 018).

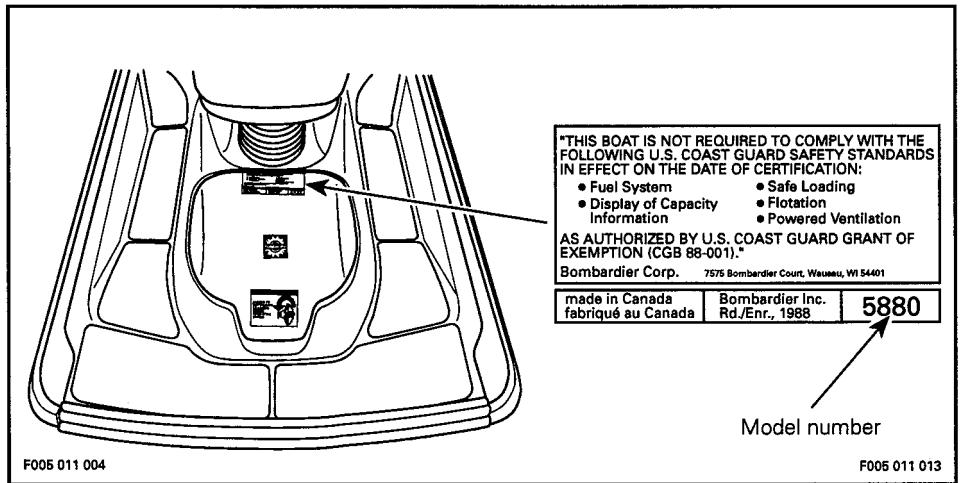
Watercraft Model Number

XP 800

Refer to the *Sea-Doo Operator's Guide* (P / N 219 000 018).

HX

The watercraft model number can be found on U.S. Coast Guard approved label located on rear access cover.

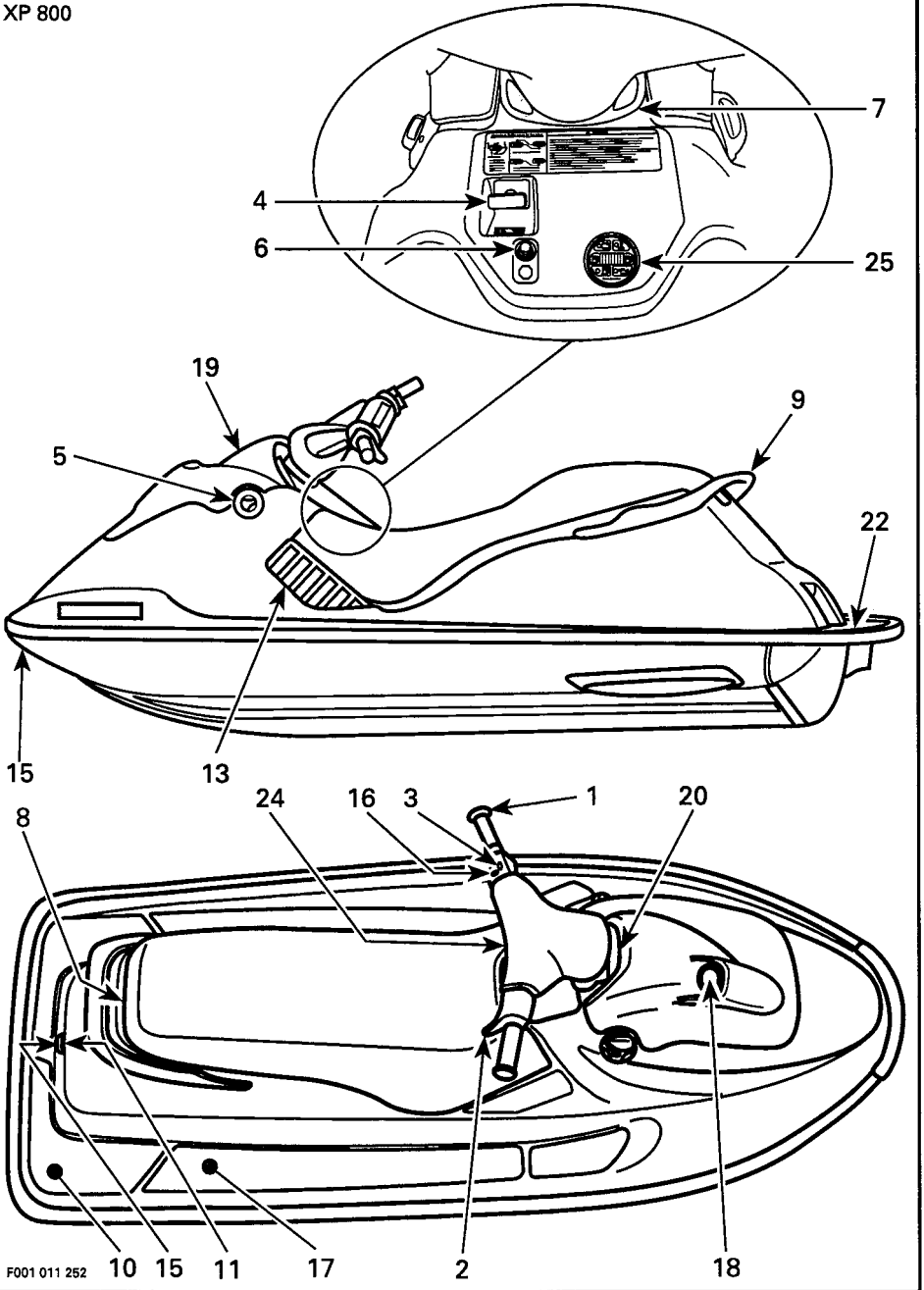


Engine Identification Number

Refer to the *Sea-Doo Operator's Guide* (P / N 219 000 018).

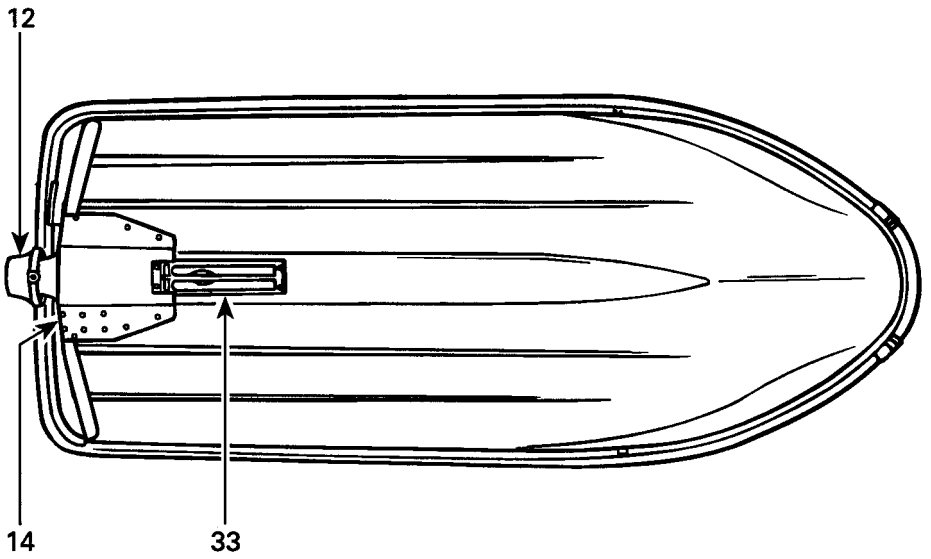
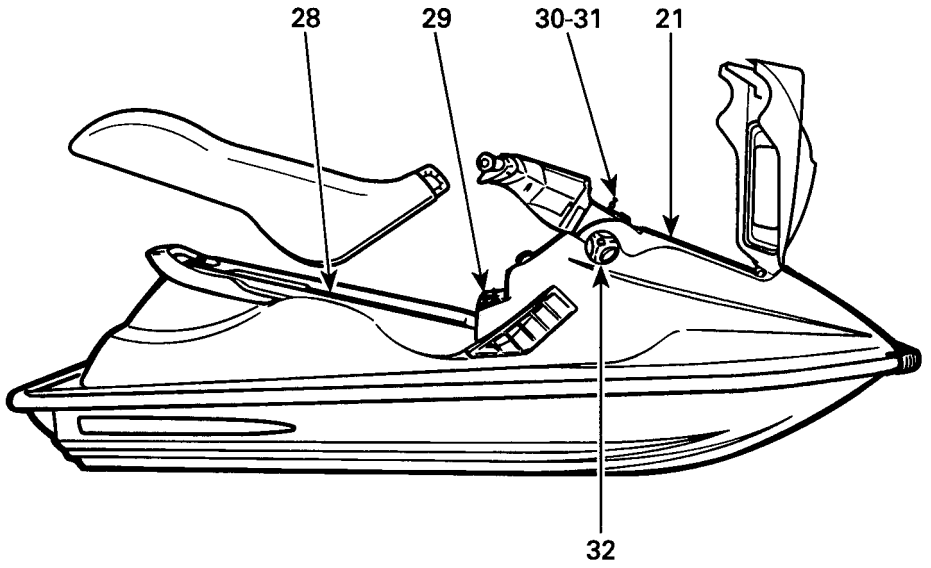
COMPONENT FUNCTIONS

XP 800



F001 011 252

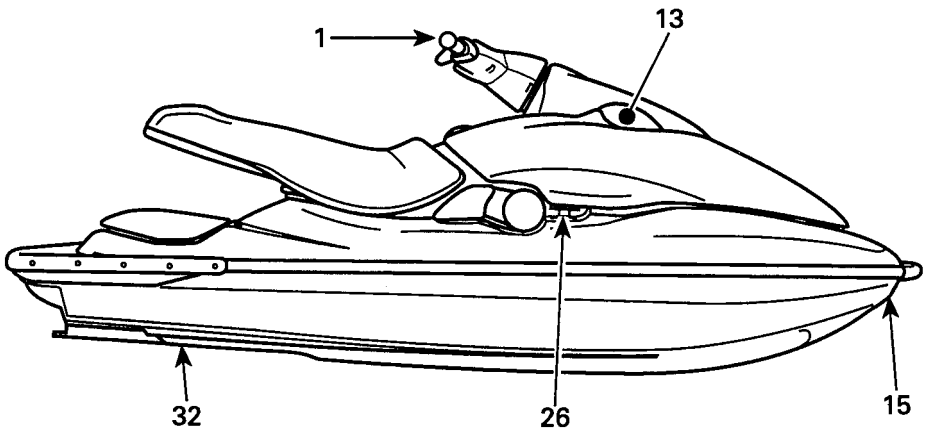
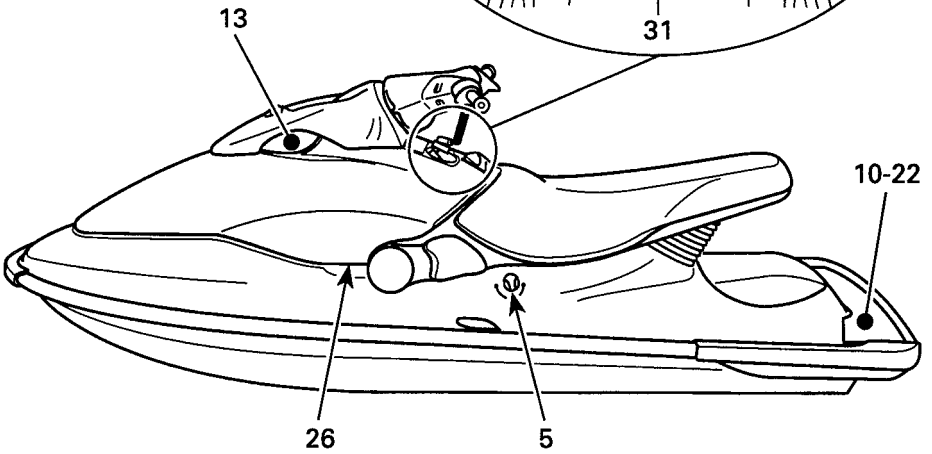
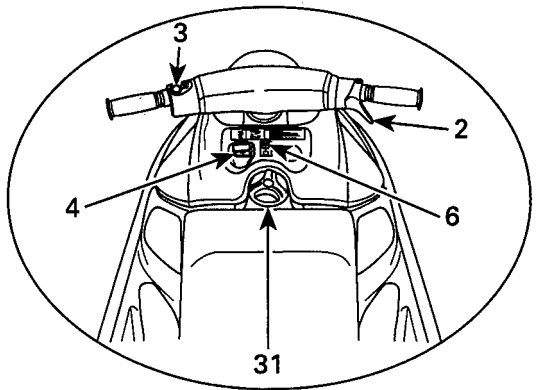
XP 800



F001 011 009

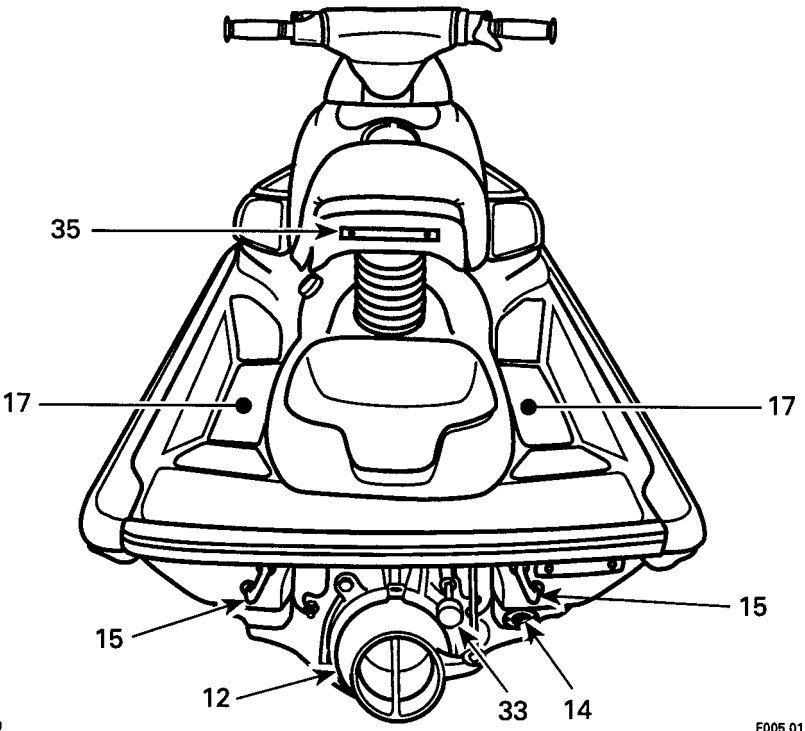
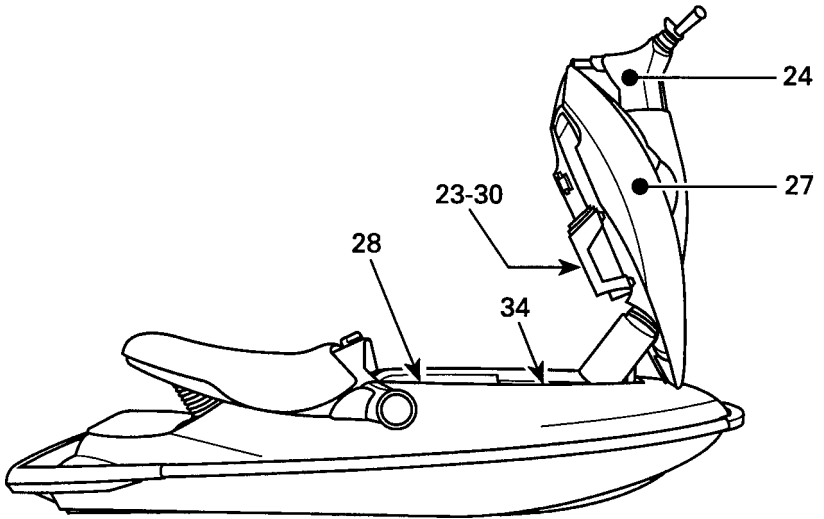
F001 011 003

HX



F005 011 014

HX



F005 011 010

F005 011 012

1) Handlebar

The handlebar controls the direction of the watercraft. Turning the handlebar to the right steers the watercraft to the right and inversely.

◆ **WARNING** : Check handlebar and corresponding steering nozzle operation before starting.

2) Throttle Lever

It controls the speed of the engine and therefore, the speed of the watercraft. When squeezed, watercraft accelerates. When fully released, engine automatically returns to idle speed and watercraft is gradually stopped by water drag.

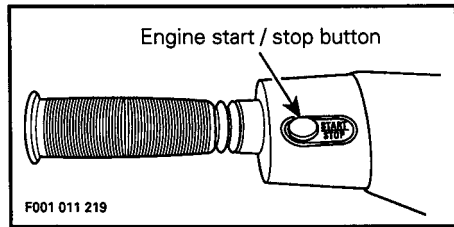
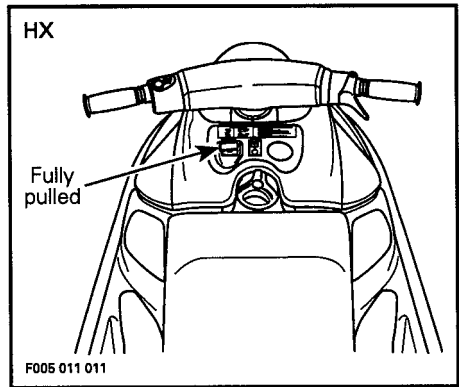
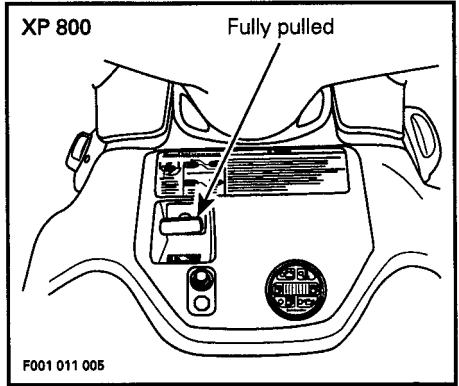
◆ **WARNING** : Check throttle lever operation before starting the engine.

3) Engine Start / Stop Button

To start engine, depress and hold the button. Release immediately after engine is started.

To stop engine, fully release throttle lever then depress the button.

◆ **WARNING** : When the engine is stopped, watercraft directional control is not available.



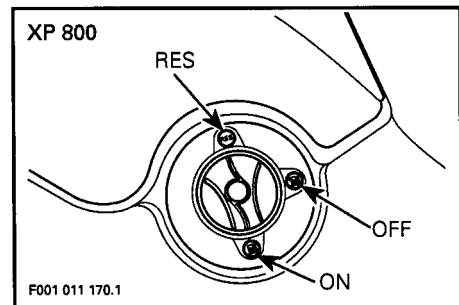
4) Choke Lever

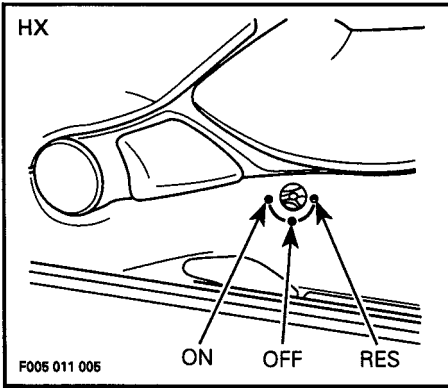
The choke is provided to supply a richer fuel / air mixture when starting a cold engine. When the lever is completely pulled, the choke is fully applied. The use of the choke is not recommended with a warm engine.

5) Fuel Valve

A 3-position rotating valve : OFF, ON and RESERVE :

▼ **CAUTION** : A partially open fuel valve will lead to fuel starvation and possible engine damage.





OFF : Stop fuel supply to carburetors.

▼ **CAUTION** : Turn valve to OFF position when watercraft is not operated.

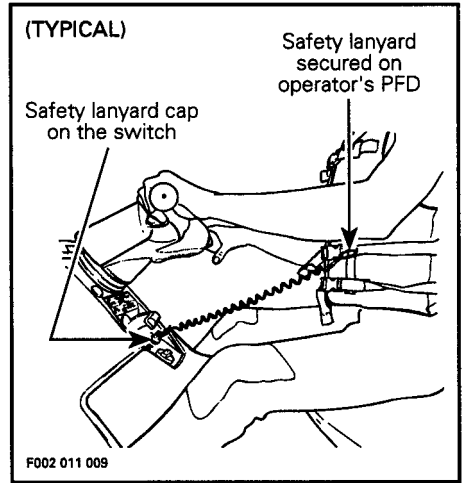
ON : Allows fuel to flow to carburetors. This is the normal position for operation of watercraft.

RES : Use when the watercraft has run out of fuel in the ON position.

◆ **WARNING** : Always refill the fuel tank at the first opportunity. After refueling, turn the fuel valve to the ON position for further operation.

6) Safety Lanyard Switch

Pulling the safety lanyard from the switch stops the engine operation. Attach the safety lanyard to the operator's Personal Flotation Device and snap the cap to the switch to be able to start the engine.



▼ **CAUTION** : Always remove safety lanyard when leaving watercraft. Leaving the safety lanyard on watercraft will eventually drain the battery.

◆ **WARNING** : Should the engine be stopped, watercraft directional control is not available.

Digitally Encoded Security System (XP 800)

Refer to *Sea-Doo Operator's Guide* (P / N 219 000 018), page 21, for the explanation of this anti-start device.

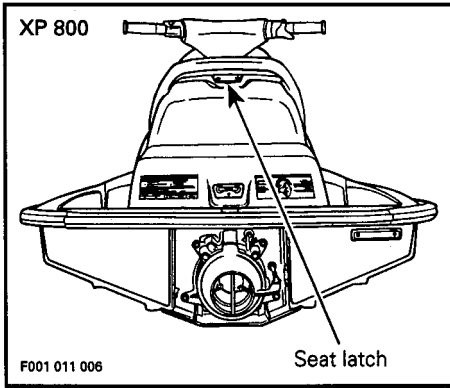
7) Docking Eyelets (XP 800)

These eyelets can be temporarily used for docking, while refueling for example.

8) Seat Latch (XP 800)

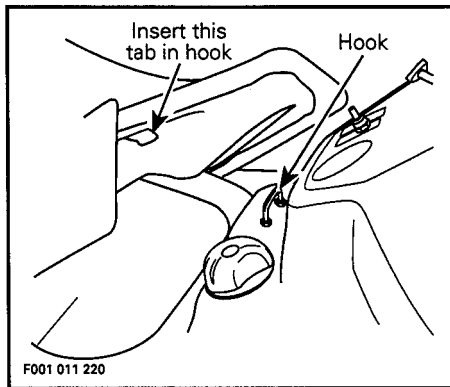
Removing the seat allows access to the engine compartment and to oil reservoir cap / dipstick.

The seat latch is located at the rear end and underneath the seat.



To remove seat, pull the latch lever upward and hold. Lift and pull the seat rearward.

When reinstalling the seat, insert seat front tab into body hook.



Pull latch lever to insert it over the rear lock pin. Release latch lever then firmly push on rear of the seat to relatch.

◆ **WARNING** : Periodically verify the seat lock pin and tighten if needed. Make sure seat is securely latched.

9) Rear Grab Handle (XP 800)

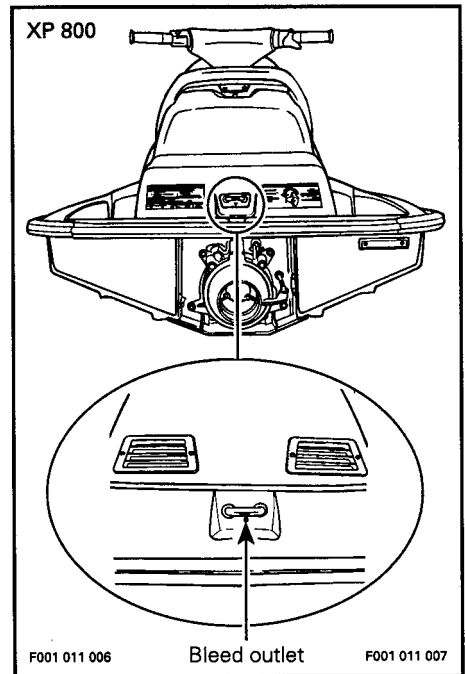
Provides a handhold for boarding when needed.

▼ **CAUTION** : Never use the grab handle to tow anything or to lift the watercraft.

10) Boarding Pads

Provide a cushioned surface for the knees when boarding from rear of watercraft.

11) Cooling System Bleed Outlet (XP 800)



When engine is running, water must flow from this hole. This allows air in tuned pipe to escape. It also indicates that water is circulating in the cooling system.

▼ **CAUTION** : Should water not flow from this outlet a few seconds after engine starts, immediately stop engine and refer to **POST-OPERATION CARE** and look for cooling system flushing or refer to an authorized dealer for servicing.

◆ **WARNING** : Always make sure bilge drain plug is properly tightened.

12) Jet Pump Nozzle

It is turned from side to side via rider input at the handlebar. This provides watercraft directional control when engine is running.

15) Bow and Stern Eyelets

Eyelets can be used for mooring, towing and as a tie-down point during transportation.

○ **NOTE** : On the HX model, always use both stern eyelets for towing or during transportation.

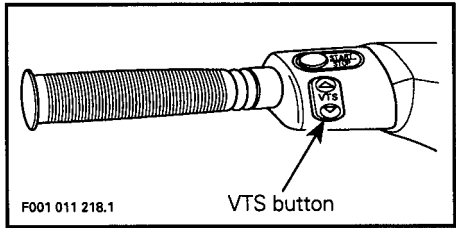
▼ **CAUTION** : Never use nozzle as a supporting point to board the watercraft or to lift it, damage to system components may occur.

16) Trim Button (XP 800)

Located just below engine start / stop button, this button is used to change pump nozzle position and to adjust ride to suit boat load and water conditions.

13) Air Intake Opening

This is where air enters to supply the engine and ventilate the engine compartment. If the air intake opening is kept under water for a long period water will get inside bilge.



14) Bilge Drain Plug

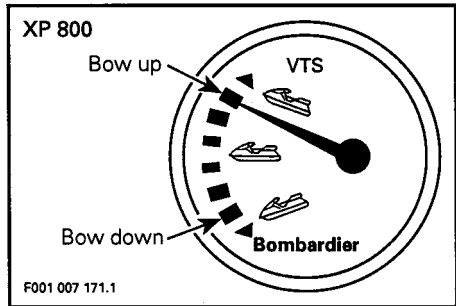
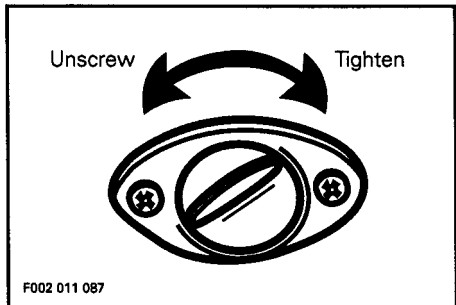
Should water be found in the bilge, it can be easily drained by unscrewing the drain plug.

17) Floorboard

User's feet should rest on the floorboard when riding.

▼ **CAUTION** : Remove watercraft from water prior unscrewing the drain plug.

18) Trim Gauge (XP 800)



Tilt the watercraft slightly to the rear so that the water can completely flow out of the bilge.

The trim gauge shows the riding angle of the watercraft.

19) Storage Compartment Cover (XP 800)

It gives access to the storage compartment. Always relatch cover after closing.

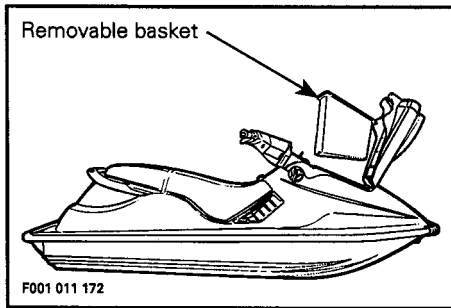
20) Cover Latch (XP 800)

Pull the latch lever upward in order to open the storage compartment cover. Always relatch.

○ **NOTE** : Verify periodically the lock pin tightness of storage cover. Tighten if needed and make sure storage cover latches properly.

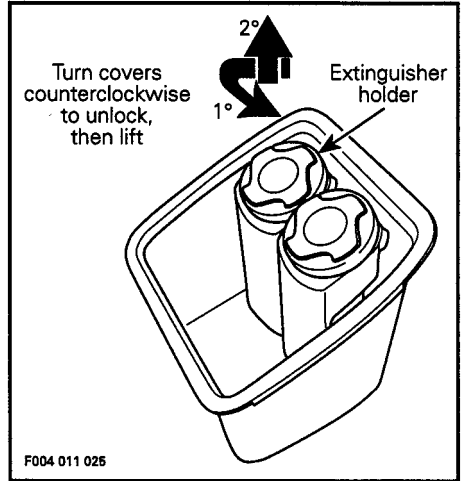
21) Storage Compartment (XP 800)

A convenient watertight, removable basket to carry personal articles. Ideal location for spare spark plugs, tow-rope, first aid kit, etc. Reinstall basket as shown.



◆ **WARNING** : Never leave any heavy or breakable object in the storage basket. Never store or carry anything below basket.

The basket is provided with a holder to store an approved fire extinguisher and tool kit. A second holder contains *Operator's Guide* and can be used to carry personal articles. Fire extinguisher (sold separately) should not be loose in the storage compartment.



22) Boarding Platform

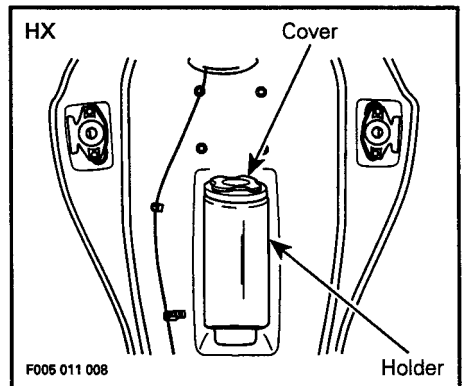
Provide a large surface for easy boarding from rear of watercraft.

23) Holder (HX)

The holder is designed to store an approved fire extinguisher and the tool kit.

○ **NOTE** : Hood must be opened to access holder.

Turn cover counter-clockwise to unlock, then lift it.



24) Monitoring Beeper

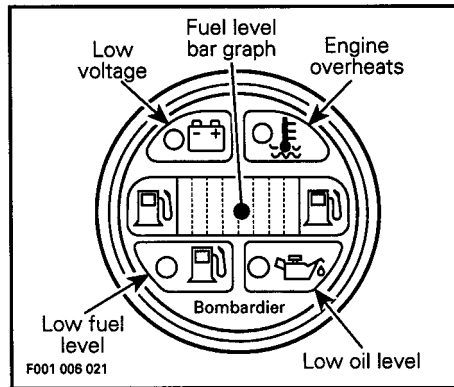
In the event the engine overheats, a beeper (continuous sound) will warn the operator. Stop engine and refer to SPECIAL PROCEDURES.

On XP 800 with the anti-start protection, the beeper may send different coded signals whenever a particular situation occurs. Refer to TROUBLE-SHOOTING section for signal description and their signification.

25) Multifunction Gauge (XP 800)

A LCD gauge indicates the amount of fuel in the fuel tank. Warning lights will indicate a defective charging system, an overheating engine, low fuel level and low oil level.

NOTE : With the safety lanyard disconnected, multi-function gauge can be activated for approximately 33 seconds by depressing the engine start / stop button.



26) Hood Latches (HX)

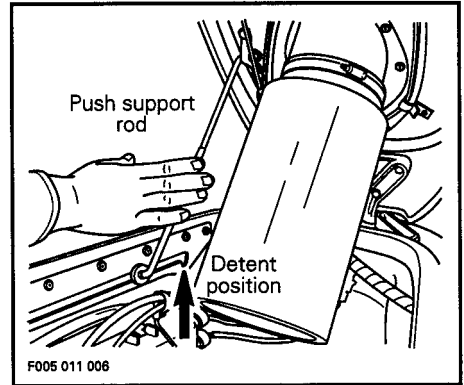
Pull both latch levers upward in order to open the hood. Always relatch hood on both sides.

NOTE : Verify periodically the lock pins tightness. Tighten if needed and make sure hood latches properly.

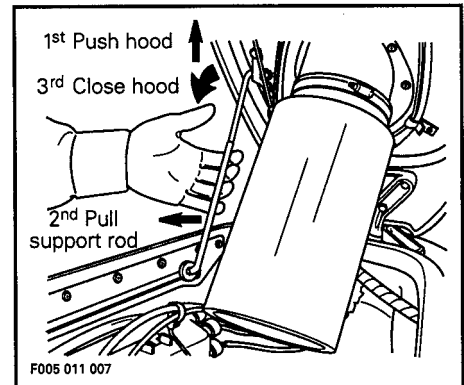
27) Hood (HX)

It gives access to the engine compartment.

To hold hood opened, lift it and at the same time, push support rod until it is in the detent position of slot.



To close hood, push it with your left hand and pull support rod out of the detent position ; then, close hood.



Always relatch hood after closing.

28) Engine Compartment

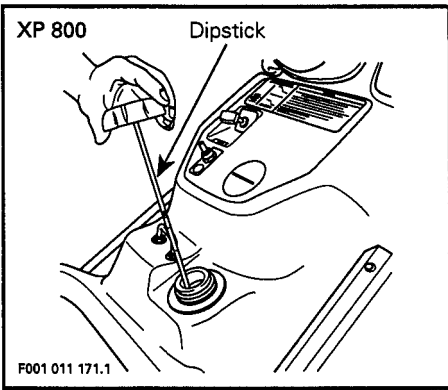
This is where the mechanical, electrical and fuel / oil systems are located.

◆ **WARNING:** When starting or operating the engine, do not touch any electrical part. Never leave any object, rag, tool, etc., in the engine compartment or in the bilge.

29) Oil Injection Reservoir Cap / Dipstick (XP 800)

Unscrew the cap counterclockwise then pull to expose the dipstick.

○ **NOTE:** Seat has to be removed to expose oil cap.



The dipstick indicates the amount of oil to be added in the reservoir. Oil level should be maintained between FULL and ADD marks. Before checking oil level, place the watercraft level, then wipe the dipstick and insert it in the reservoir neck. Do not screw cap. Remove dipstick and read the level.

30) Tool Kit

Contains tools needed to perform basic watercraft maintenance.

31) Fuel Tank Cap

Unscrew the cap counterclockwise to allow fuel tank filling. Fully tighten when finished.

◆ **WARNING:** Never use a lit match or open flame to check fuel level.

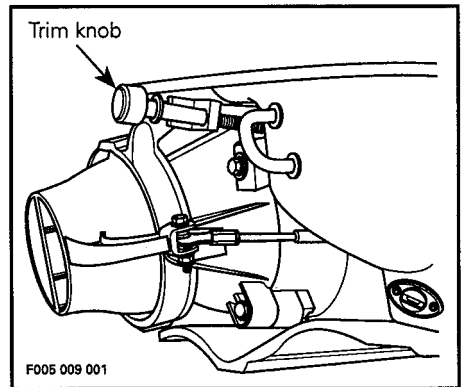
32) Jet Pump Water Intake

The water is drawn up by the impeller through this opening. The impeller and the drive shaft are protected by a grate.

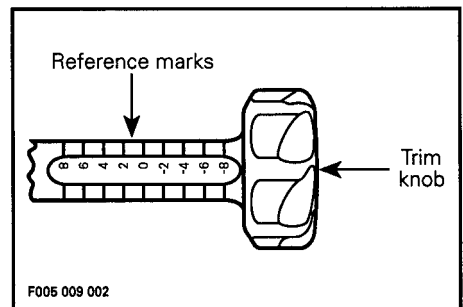
33) Trim Knob (HX)

This knob is used to change manually pump nozzle position and to adjust ride to suit water conditions and rider preferences.

Turn knob counterclockwise to adjust nozzle in upward position or clockwise to adjust nozzle in downward position.



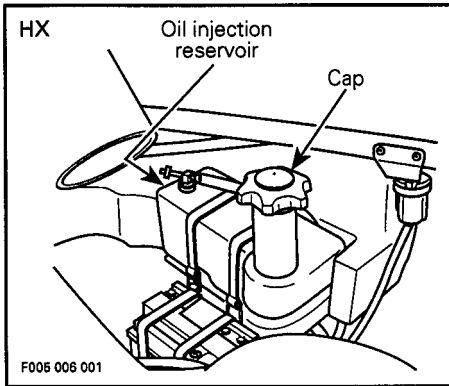
There are some reference marks to indicate nozzle position, easing fine tuning.



34) Oil Injection Reservoir (HX)

Verify oil level through oil reservoir. Unscrew the cap counterclockwise and add appropriate amount of oil.

○ **NOTE** : Hood must be opened to access oil injection reservoir.



◆ **WARNING** : Always wipe off any oil spillage.

35) Rear Strap

Provides a handhold for boarding when needed.

FUEL AND LUBRICATION _____

Refer to the *Sea-Doo Operator's Guide* (P / N 219 000 018).

BREAK-IN PERIOD _____

To assure additional protection during the initial engine break-in, BOMBARDIER ROTAX INJECTION OIL should be added in the fuel tank for the **first full fuel tank filling only**.

Refer to the *Sea-Doo Operator's Guide* (P / N 219 000 018) for complete engine break-in procedure.

MODELS	QUANTITY
XP 800	700 mL (24 oz)
HX	500 mL (19 oz)

PRE-OPERATION CHECKS _____

Refer to the *Sea-Doo Operator's Guide* (P / N 219 000 018).

OPERATING INSTRUCTIONS _____

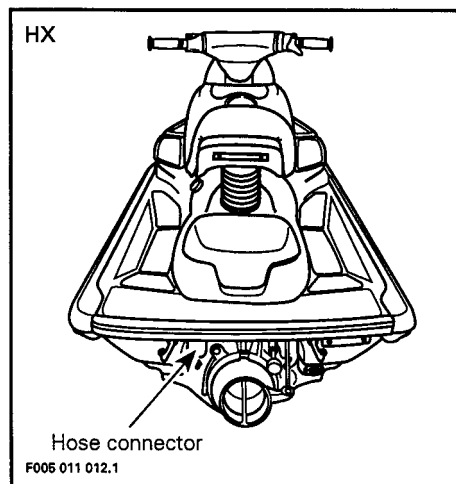
Refer to the *Sea-Doo Operator's Guide* (P / N 219 000 018).

POST-OPERATION CARE

Refer to the *Sea-Doo Operator's Guide* (P / N 219 000 018) to find out the complete information and to the following illustrations for component locations regarding specific models.

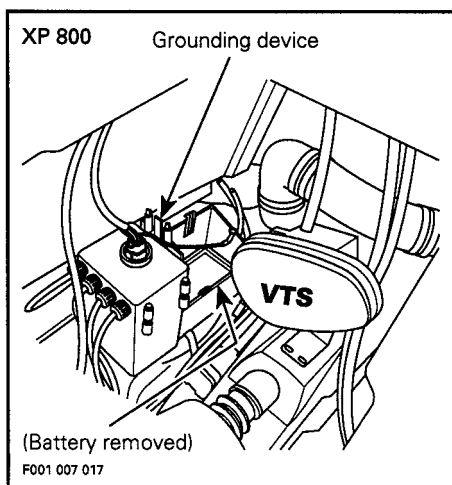
Flushing

To flush engine on the HX model, connect a garden hose to connector. A quick connect adapter can be used for easier servicing.



CAUTION : Follow the **COOLING SYSTEM FLUSHING PROCEDURE** exactly as specified in the *Sea-Doo Operator's Guide* (P / N 219 000 018), otherwise serious engine damage could occur.

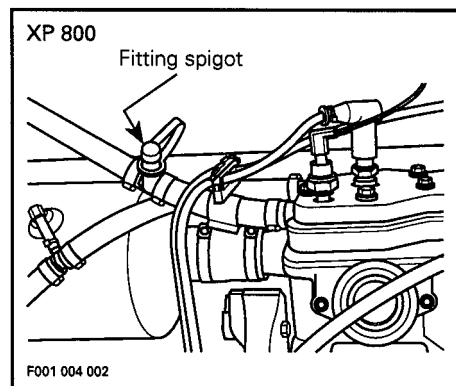
Grounding Device



For the HX model, refer to the *Sea-Doo Operator's Guide* (P / N 219 000 018).

To flush engine on the XP 800 model, connect coupler hose (P / N 295 500 258) to fitting spigot.

NOTE : A hose pincher must also be used.



SPECIAL PROCEDURES

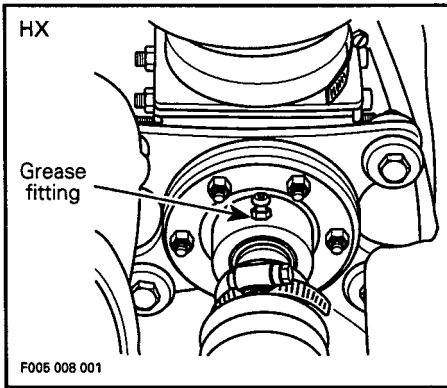
Refer to the *Sea-Doo Operator's Guide* (P / N 219 000 018).

MAINTENANCE

Drive Line Mid Bearing (HX)

Lubricate drive line mid bearing every 10 hours.

For other procedures on both watercraft, refer to the *Sea-Doo Operator's Guide* (P / N 219 000 018).



TRANSPORTATION, STORAGE AND PRE-SEASON PREPARATION

Refer to the *Sea-Doo Operator's Guide* (P / N 219 000 018).

TROUBLESHOOTING

Refer to the *Sea-Doo Operator's Guide* (P / N 219 000 018).

SPECIFICATIONS

ENGINE		HX (5880)	XP 800 (5856)
Engine type		Rotax 717, 2-stroke	Rotax 787, 2-stroke
Induction type		Rotary valve	Rotary valve
Exhaust system		Water cooled / water injected	Water cooled / water injected
Exhaust valve		N.A.	R.A.V.E.
Lubrication	Type	Oil injection	Oil injection
	Oil type	BOMBARDIER ROTAX INJECTION OIL	BOMBARDIER ROTAX INJECTION OIL
Number of cylinders		2	2
Displacement		718 cm ³ (43.81 in ³)	782 cm ³ (47.69 in ³)
Rev limiter setting		7000 RPM (± 50)	7200 RPM (± 50)
COOLING			
Type		Water cooled, total loss type. Direct flow from propulsion unit.	Water cooled, Total loss type. Direct flow from propulsion unit.
ELECTRICAL			
Magneto generator output		160 W @ 6000 RPM	180 W @ 6000 RPM
Ignition system type		CDI	DC - CDI
Spark plug	Make and type	NGK BR8ES	NGK BR8ES
	Gap	0.5 - 0.6 mm (.020 - .024 po)	0.5 - 0.6 mm (.020 - .024 po)
Starting system		Electric starter	Electric starter
Battery		12 V, 19 A	12 V, 19 A
Fuse	Starting system	5 A	5 A
	Charging system	15 A	15 A
	VTS system	N.A.	7.5 A
CARBURETION			
Fuel type		Regular unleaded gasoline	Regular unleaded gasoline
Carburetor		BN 381 Diaphragm Quantity : 2	BN 401 Diaphragm Quantity : 2

N.A. : Not applicable

PROPULSION		HX (5880)	XP 800 (5856)
Propulsion system		Bombardier Formula pump	Bombardier Formula pump
Jet pump type		Axial flow, single stage	Axial flow, single stage, pump extension
Transmission		Direct drive / split FR and RR	Direct drive
Impeller shaft reservoir oil type		SEA-DOO synthetic polyolester oil 75W90 GL5	SEA-DOO synthetic polyolester 75W90 GL5
Pivoting angle of direction (nozzle)		~26°	~26°
Pivoting angle of variable trim system		± 10°	± 10°
Minimum required water level for jet pump		90 cm (3 ft)	90 cm (3 ft)
PERFORMANCE			
Cruising time at full throttle	Fuel tank without reserve	~35 minutes	N.A.
	Fuel tank reserve	~10 minutes	N.A.
DIMENSIONS			
Number of passengers		1 operator	1 operator
Overall length		273 cm (107.5 in)	254 cm (100 in)
Overall width		85 cm (33.5 in)	105 cm (41.5 in)
Overall height		97 cm (38.2 in)	92 cm (36.2 in)
Weight		177 kg (390 lb)	197 kg (434 lb)
Load limit (operator + luggage)		110 kg (250 lb)	160 kg (352 lb)
Hull material		Composite (fiberglass)	Composite (fiberglass)
CAPACITIES			
Fuel tank		27 L (7 U.S. gal)	34 L (9 U.S. gal)
Impeller shaft reservoir	Capacity	90 mL (3 U.S. oz)	90 mL (3 U.S. oz)
	Oil level	Up to plug	Up to plug
Oil injection reservoir		4 L (1 U.S. gal)	4.5 L (1.2 U.S. gal)

N.A. : Not applicable

BOMBARDIER INC. reserves the right to make changes in design and specifications and / or to make additions to, or improvements in its products without imposing any obligation upon itself to install them on its products previously manufactured.

SI METRIC INFORMATION GUIDE _____

Refer to the *Sea-Doo Operator's Guide*
(P / N 219 000 018).

ACCESSORIES AND SERVICE PRODUCTS _____

Sea-Doo Cover

P / N 298 361 040 HX

P / N 298 366 040 XP 800

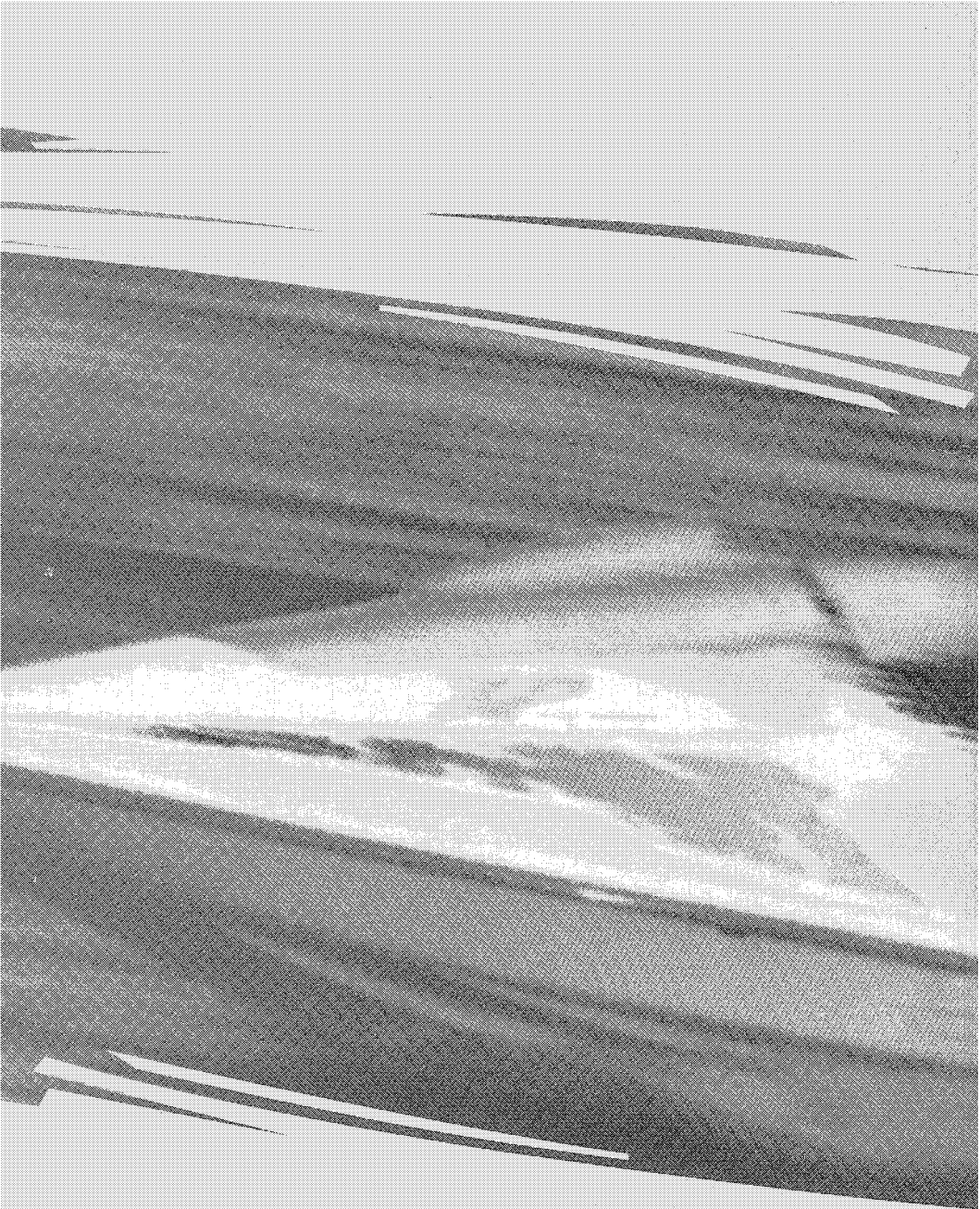
To find out other available Sea-Doo accessories and products, refer to the *Sea-Doo Operator's Guide* (P / N 219 000 018).

OTHER PUBLICATIONS AVAILABLE _____

Refer to the *Sea-Doo Operator's Guide*
(P / N 219 000 018).

CHANGE OF ADDRESS _____

Refer to the *Sea-Doo Operator's Guide*
(P / N 219 000 018).



P219000028 CA2001

Litho'd in Canada